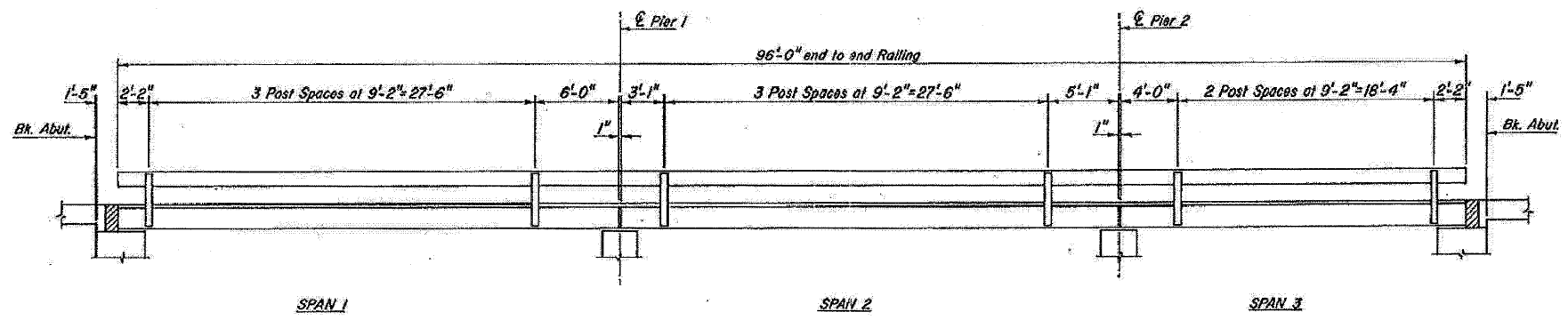


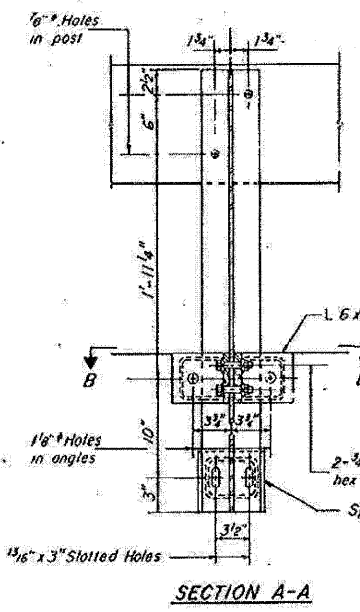
ROUTE NO.	SECTION	COUNTY	TOTAL SHEETS	SHEET NO.	SHEET NO. 4 OF SHEETS
FA-587	22BR	BUREAU	24	12	
DATE	BY	BY	BY	BY	

DATE	BY	DATE	BY

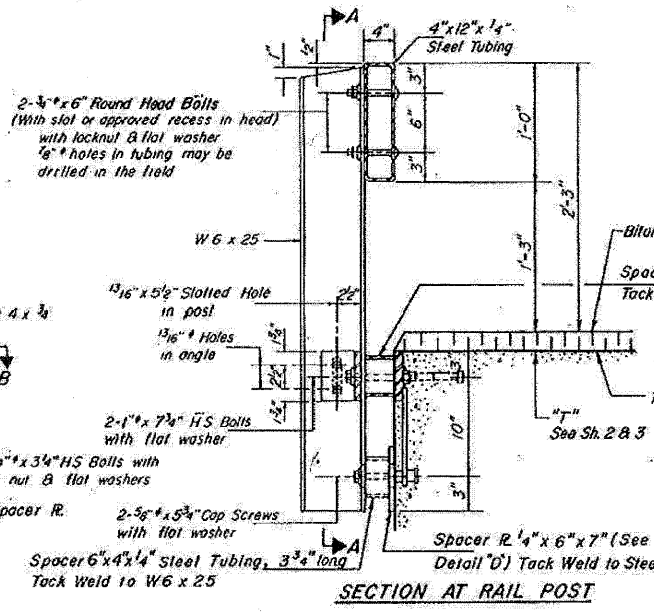
DATE	BY	DATE	BY



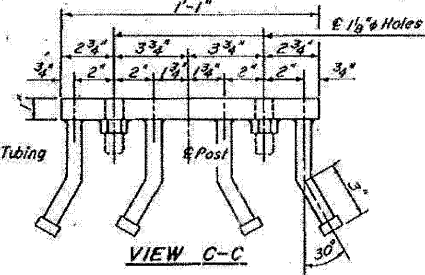
ELEVATION



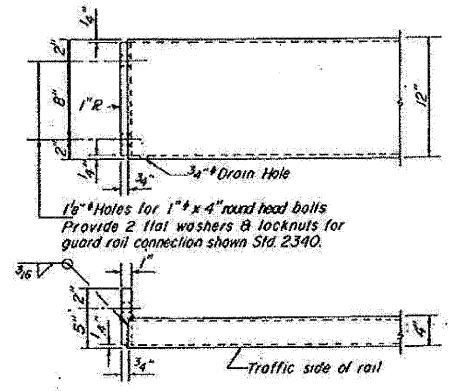
SECTION A-A



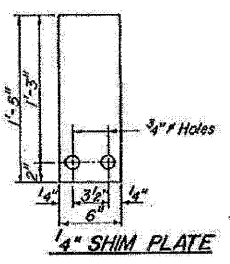
SECTION AT RAIL POST



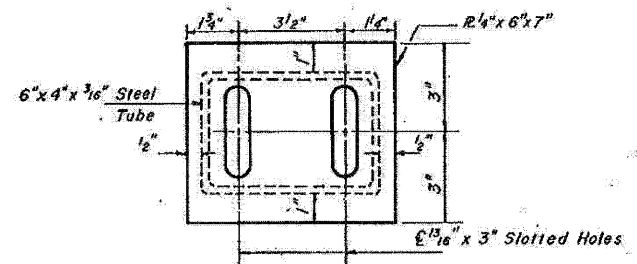
VIEW C-C



END OF RAIL DETAILS



4" SHIM PLATE



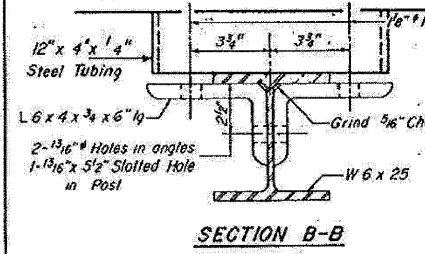
DETAIL "D"

BILL OF MATERIAL

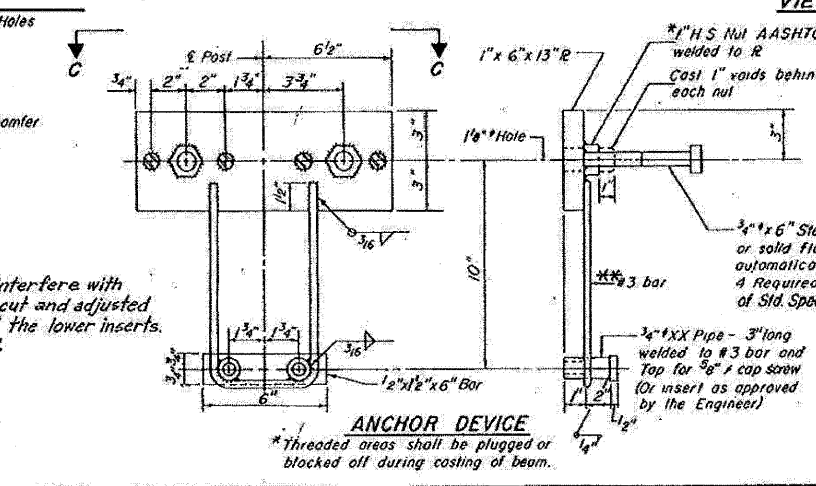
Item	Unit	Quantity
Steel Railing, Type S-1	Lin. Ft.	192

**TYPE S-1
STEEL RAILING**
FA RTE 587 OVER PINE CREEK
SECTION 22BR
BUREAU COUNTY

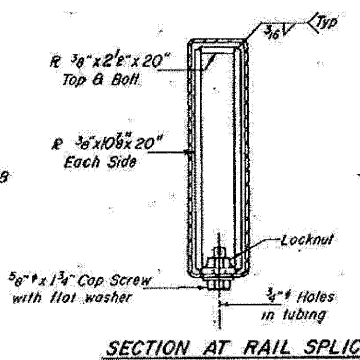
GREENE & BRADFORD, Ltd.
CONSULTING ENGINEERS
1912 STEVENSON DR. • 312-359-8661 • GREENE.IL.US



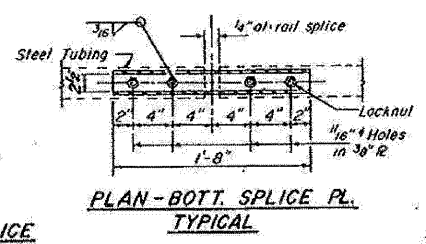
SECTION B-B



ANCHOR DEVICE



SECTION AT RAIL SPLICE



PLAN-BOTT. SPLICE PL. TYPICAL

**Whenever the lower insert assemblies interfere with strand locations, the #3 bars shall be cut and adjusted in order to allow raising or lowering of the lower inserts. Maximum adjustment not to exceed 1/2".

*Threaded areas shall be plugged or blocked off during casting of beam.

**EXISTING PLANS
FOR INFORMATION ONLY**
S.N. 006-0147

<p>DELTA ENGINEERING GROUP, LLC CONSULTING ENGINEERS 1912 STEVENSON DR. • 312-359-8661 • GREENE.IL.US</p>	USER NAME = kghan PLOT SCALE = #SCALE# PLOT DATE = 10/11/2011	DESIGNED DB DRAWN DB CHECKED AS DATE OCTOBER 14, 2011	REVISED - REVISED - REVISED - REVISED -	<p align="center">STATE OF ILLINOIS DEPARTMENT OF TRANSPORTATION</p>	<p align="center">EXISTING PLAN - STRUCTURE</p>	F.A.P. RTE. 587 SECTION (22 BRBR) COUNTY BUREAU TOTAL SHEETS 61 SHEET NO. 46 CONTRACT NO. 66995
	SCALE: NTS SHEET NO. 46 OF 61 SHEETS STA. TO STA.	FED. ROAD DIST. NO. (ILLINOIS) FED. AID PROJECT				