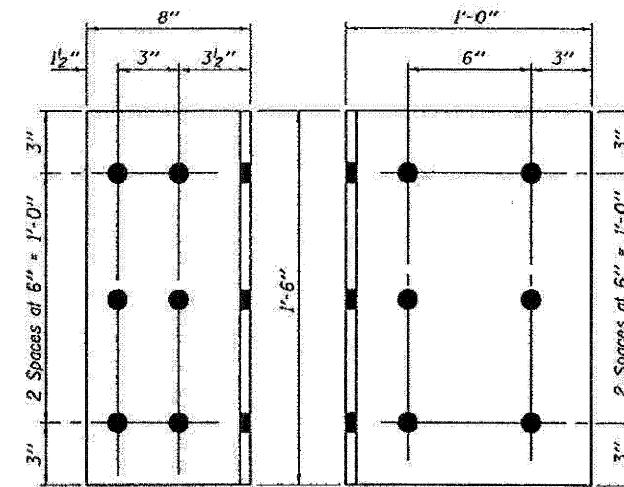
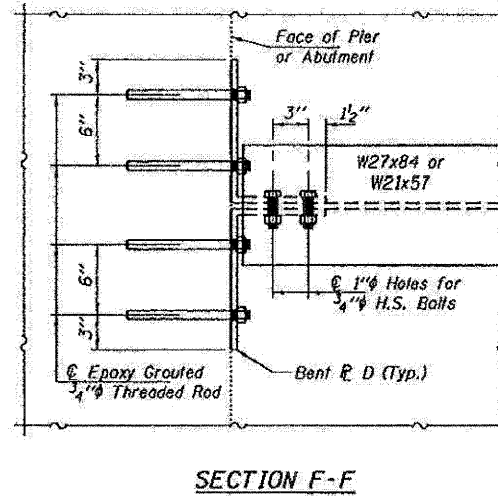
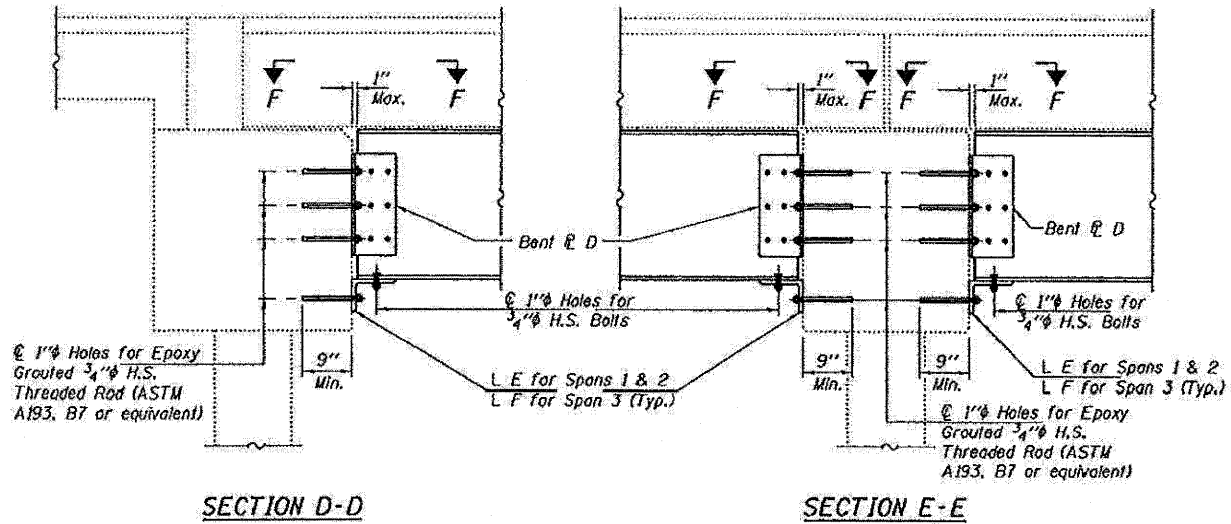
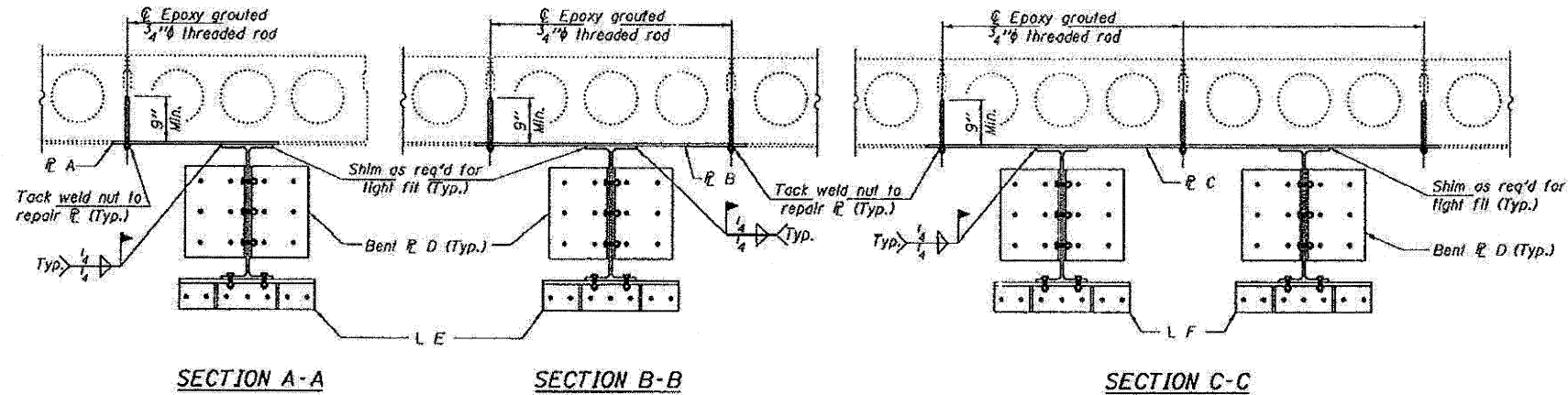
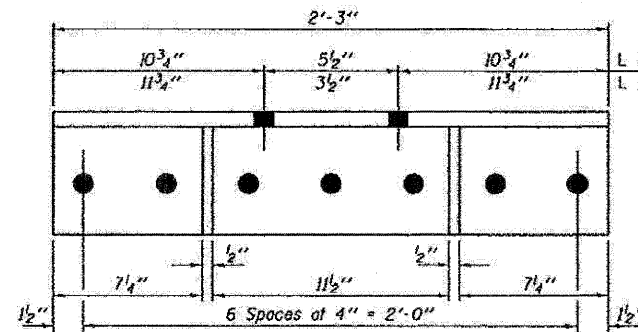
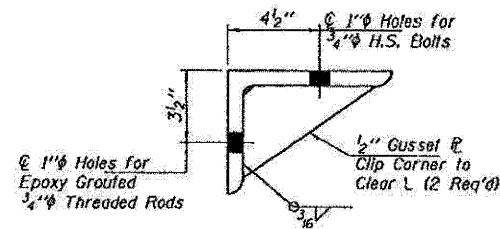


STATE OF ILLINOIS
DEPARTMENT OF TRANSPORTATION



Bent P D
Bent P $\frac{1}{2}$ " x 1'-6" x 1'-8"
(24 Required)



ANGLE E & F
L B x 6 x $\frac{3}{4}$ x 2'-3"
L E (8 Required)
L F (4 Required)

EXISTING PLANS
FOR INFORMATION ONLY
S.N. 006-0147

REPAIR DETAILS
F.A. RTE. 587 OVER PIKE CREEK
SN 006-0147

DESIGNED	VHV
CHECKED	DAB
DRAWN	Kyle M. Steffen
CHECKED	VHV DAB

APRIL 19, 2010
EXAMINED *Carl Perry*
PASSED *Ralph E. Anderson*

SHEET NO. 2 2 SHEETS	F.A. RTE.	SECTION	COUNTY	TOTAL SHEETS	SHEET NO.
	587	(22-BR)-1	BUREAU	6	6
FED. ROAD DIST. NO.			ILLINOIS FED. AID PROJECT		

04504474.dgn 10-10-10 00:37:30

<p>DELTA ENGINEERING GROUP, LLC 11100 W. 111th Street, Suite 100 Overland Park, KS 66213</p>	USER NAME = kken	DESIGNED DB	REVISED -	<p>STATE OF ILLINOIS DEPARTMENT OF TRANSPORTATION</p> <p>EXISTING PLAN - STRUCTURE</p> <p>SCALE: NTS SHEET NO. 53 OF 61 SHEETS STA. TO STA.</p>	F.A.P. RTE.	SECTION	COUNTY	TOTAL SHEETS	SHEET NO.
	PLOT SCALE = #SCALE#	DRAWN DB	REVISED -		587	(22 BR)BR	BUREAU	61	53
	PLOT DATE = 10/11/2011	CHECKED AS	REVISED -		FED. ROAD DIST. NO. (ILLINOIS) FED. AID PROJECT				
	DATE OCTOBER 14, 2011	REVISED -			CONTRACT NO. 66995				

FILE NAME = g:\zpi\01101\cedd sheets\rdwj\SN-006-0183-53\st-structure.dgn

DATE	BY	SUBMITTED	CHECKED
		PLANNED	ALIGNED
		NOTED	FILED
		NO.	NO.

DATE	BY	DESIGNED	CHECKED
		PLANNED	ALIGNED
		NOTED	FILED
		NO.	NO.