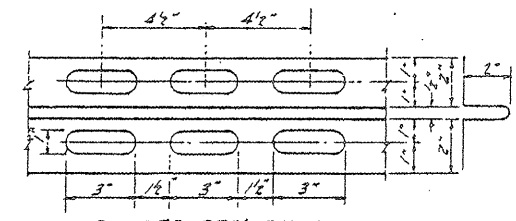
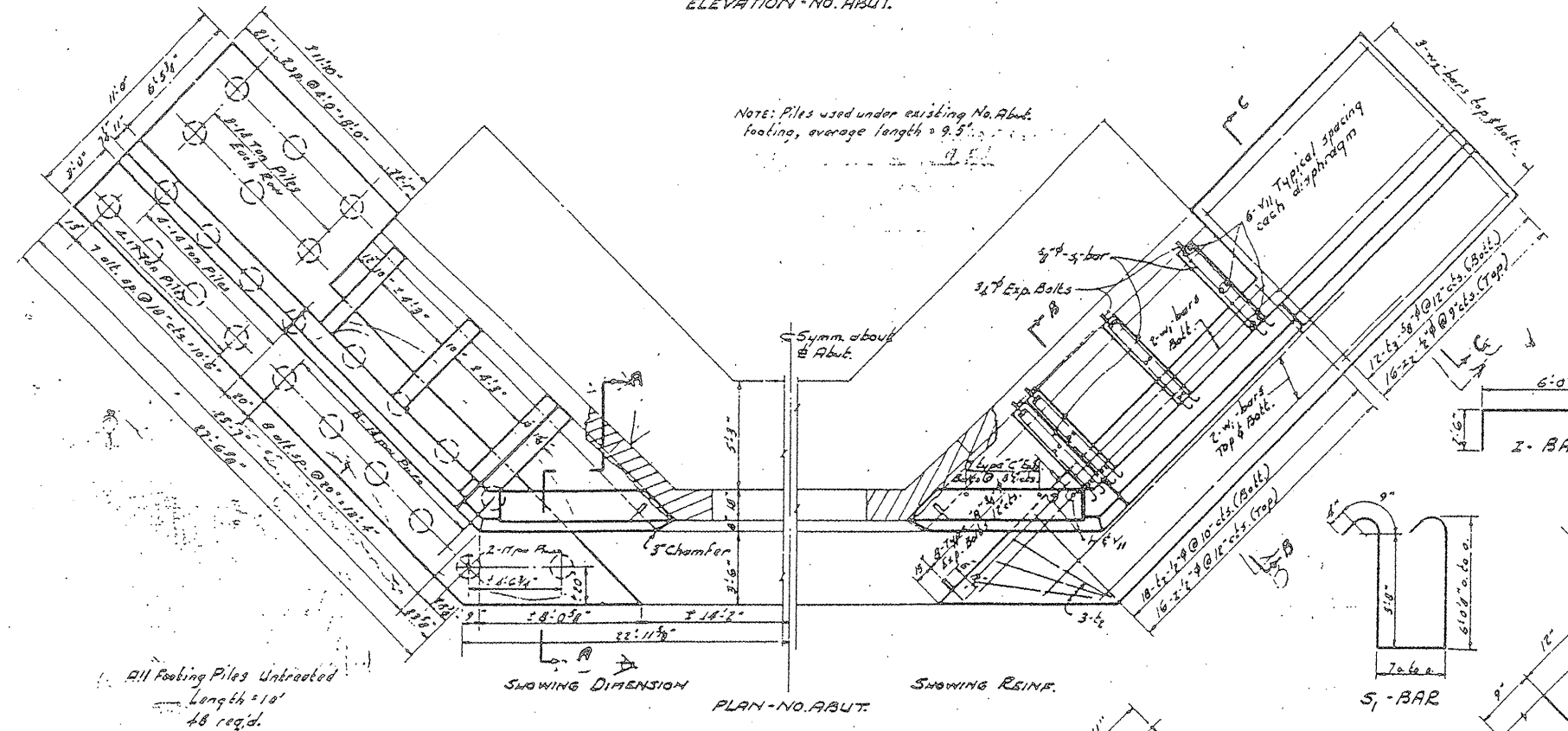
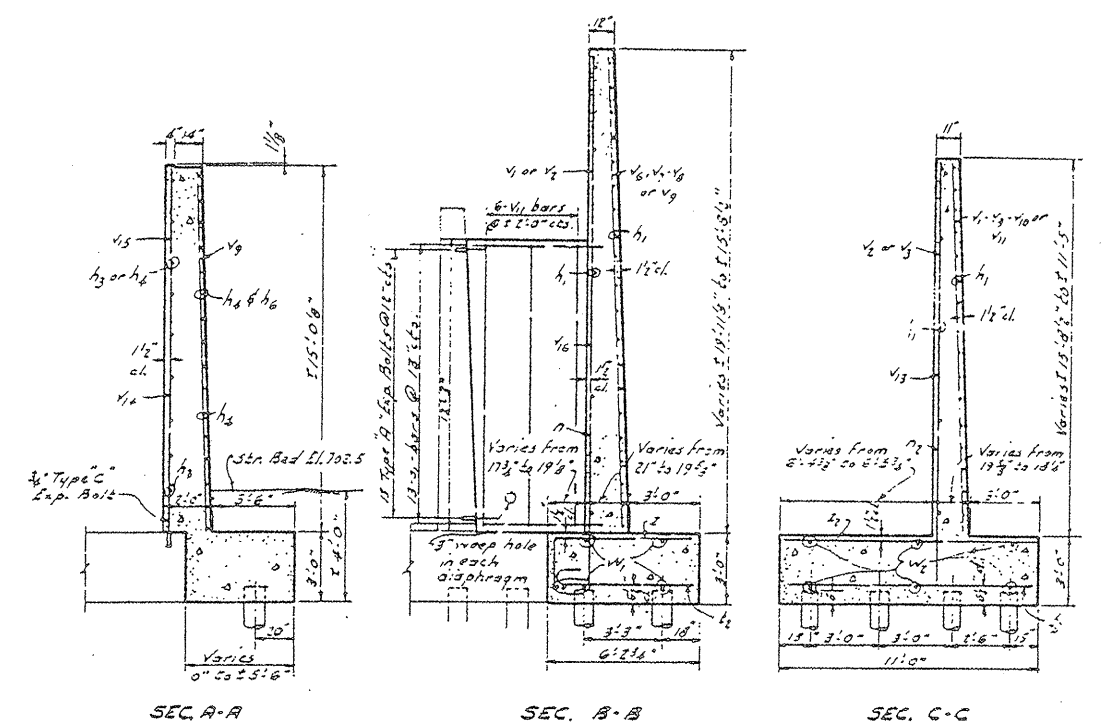
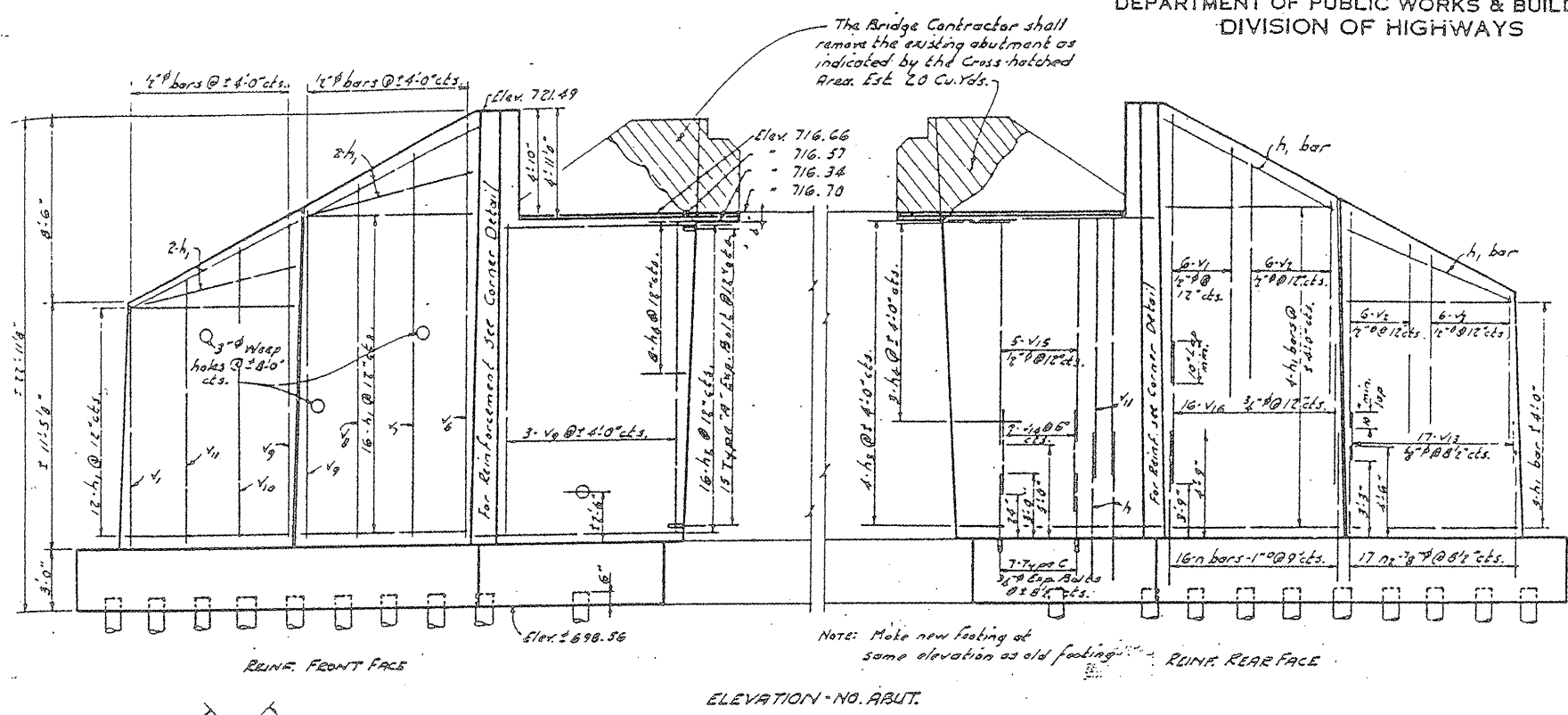


STATE OF ILLINOIS
DEPARTMENT OF PUBLIC WORKS & BUILDINGS
DIVISION OF HIGHWAYS

ROAD DISTRICT NO.	SECTION	COUNTY	TOTAL SHEETS	SHEET NO.
80	125B-7	KNOX	25	22
PROJECT NO.	ALIGNED	EST. NO.	PROJECT	BY
			155 (13)	

SHEET NO. 2
2 SHEETS



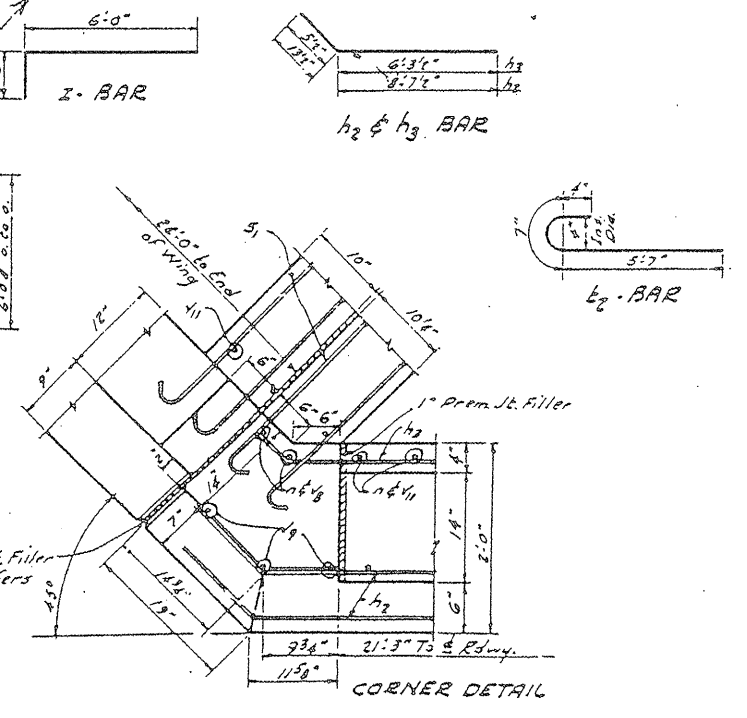
BILL OF MATERIALS - NO. ABUT.

Bar	No.	Size	Length	Shape
h1	82	4"φ	112"	
h2	32	2"φ	91"	
h3	8	2"φ	61"	
h4	22	2"φ	116"	
n	40	1/2"	51"	
7c	36	3/4"	61"	
2c	108	3/4"	141"	
2c	42	2"φ	61"	
2c	28	2"φ	101"	
v1	18	1/2"	101"	
v2	24	-	81"	
v3	12	-	71"	
v4	2	-	191"	
v5	2	-	181"	
v6	6	-	161"	
v7	16	-	141"	
v8	2	-	131"	
v9	24	-	111"	
v10	32	-	91"	
v11	18	-	210"	
v12	10	-	101"	
v13	32	3/4"	61"	
w1	12	1/2"	191"	
w2	12	1/2"	111"	
z	32	2"φ	81"	
z2	32	2"φ	101"	

Class X Concrete Cu. Yds. 128.1
Reinforcement Bars Lbs. 6480
Concrete Removal Cu. Yds. 2.3
Untreated Piles Est. Lgth. 10' Lin. Ft. 480

Expansion Bolt - Type A Ea. 150
Expansion Bolt - Type C Ea. 14
Channel Excavation Cu. Yds. 622

* See Sketch on Sh. No. 3



DESIGNED *James J. Manning*
CHECKED *James J. Manning*
DRAWN *J. H. [Signature]*
CHECKED *James J. Manning*

EXAMINED
PASSED
APPROVED *C. M. [Signature]*

PROJECT FI-155(13)
S.B.I. RT. 80 F.A. RT. 53
SECTION 125 BY
KNOX CO.
STA. 150 + 65