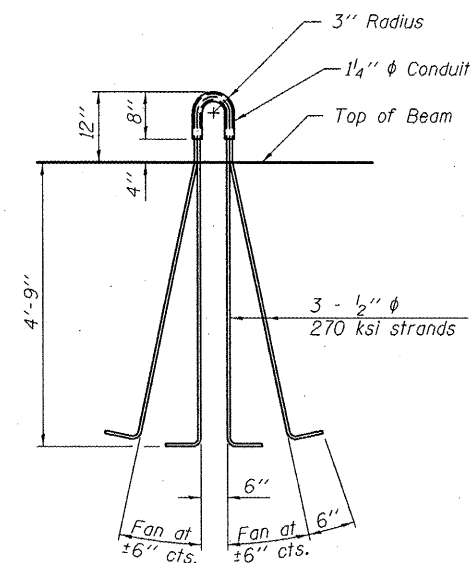


STATE OF ILLINOIS
DEPARTMENT OF TRANSPORTATION

ROUTE NO.	SECTION	COUNTY	TOTAL SHEETS	SHEET NO.
FAS 1190	(125BY)BR	KNOX	94	56
FED. ROAD DIST. NO. 7	ILLINOIS	FED. AID PROJECT		

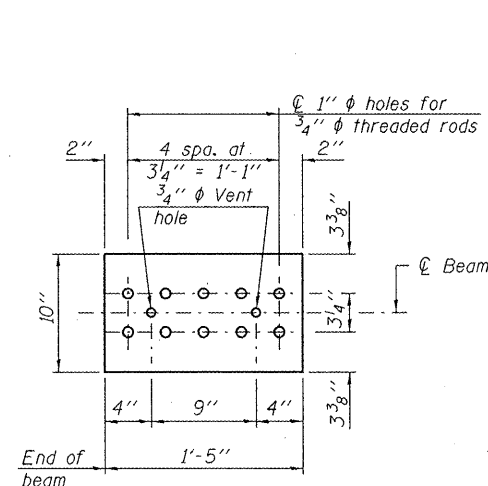
SHEET NO. 14
20 SHEETS

Contract No. 68087

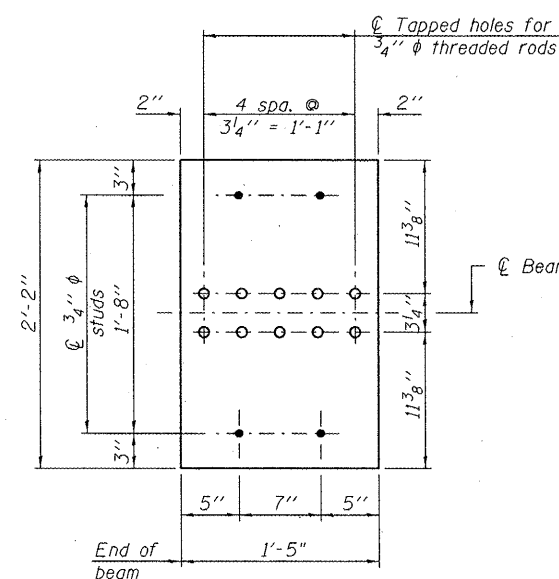


LIFTING LOOP DETAIL

NOTES
Inserts for 3/4" ϕ threaded dowel rods, when specified, are to be two strut, ferrule type for interior beams and single ferrule, flared loop type for exterior beams. Prestressing steel shall be uncoated high strength, low relaxation 7-wire strand, Grade 270. The nominal diameter shall be 1/2" and the nominal cross-sectional area shall be 0.153 sq. in.
Reinforcement bars shall conform to ASTM A 706, Grade 60. (See Special Provisions). A minimum 2 1/2" ϕ lifting pin shall be used to engage the lifting loops during handling. The top and bottom plates shall be AASHTO M270 Grade 50. The bottom plates and studs shall be galvanized according to AASHTO M111. Top plates and threaded rods need not be galvanized. Threaded rods shall be ASTM F 1554 Grade 55.

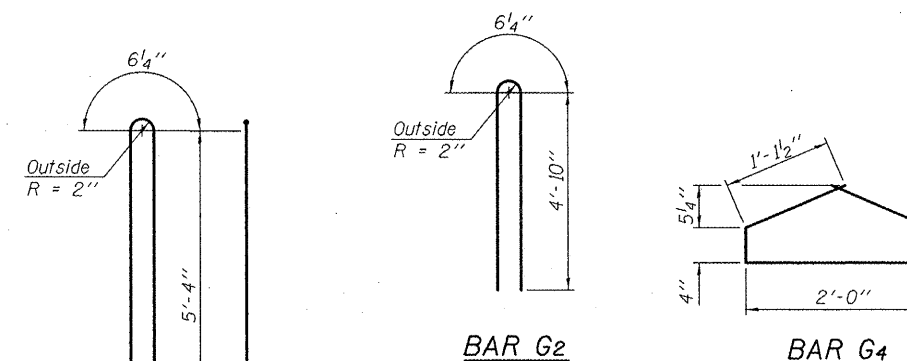


TOP PLATE



BOTTOM PLATE

See bearing details for pintle hole locations when required.



BAR G2

BAR G4

BILL OF MATERIAL

Item	Unit	Total
Furnishing and Erecting Precast Prestressed Concrete Bulb T-Beams, 63"	Ft.	662

DESIGNED	SMR
CHECKED	FT
DRAWN	BWP, KBF
CHECKED	SMR/FT

US ROUTE 150 OVER HENDERSON CREEK
F.A.S. ROUTE 1190 - SEC. (125BY)BR
KNOX COUNTY
STATION 150+71.00
STRUCTURE NO. 048-0088

BEAM DETAILS