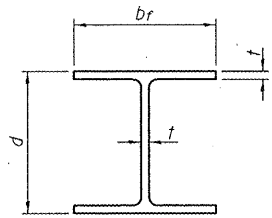


STATE OF ILLINOIS
DEPARTMENT OF TRANSPORTATION

ROUTE NO.	SECTION	COUNTY	TOTAL SHEETS	SHEET NO.
FAS 1190	(125BY)BR	KNOX	94	59
FED. ROAD DIST. NO. 7		ILLINOIS	FED. AID PROJECT	

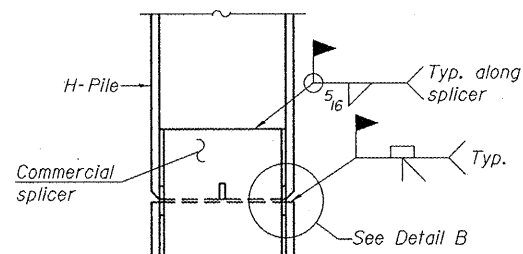
SHEET NO. 17
20 SHEETS

Contract No. 68087

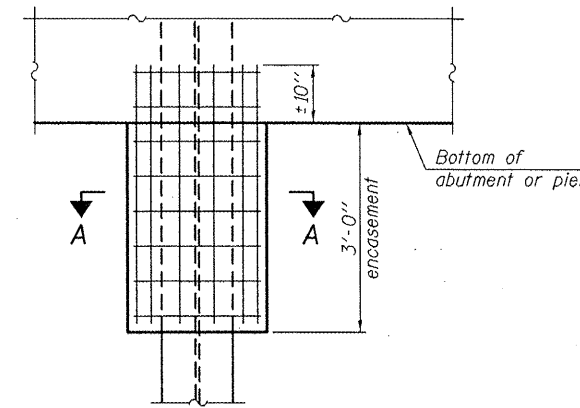


STEEL PILE TABLE

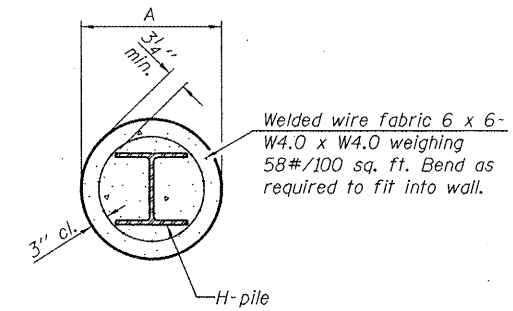
Designation	Depth d	Flange width br	Web and Flange thickness t	Encasement diameter A
HP 14x117	14 1/4"	14 7/8"	1 3/16"	30"
x102	14"	14 3/4"	1 1/16"	30"
x89	13 7/8"	14 3/4"	5/8"	30"
x73	13 5/8"	14 5/8"	1/2"	30"
HP 12x84	12 1/4"	12 1/4"	1 1/16"	24"
x74	12 1/8"	12 1/4"	5/8"	24"
x63	12"	12 1/8"	1/2"	24"
x53	11 3/4"	12"	7/16"	24"
HP 10x57	10"	10 1/4"	9/16"	24"
x42	9 3/4"	10 1/8"	7/16"	24"
HP 8x36	8"	8 1/8"	7/16"	18"



ELEVATION



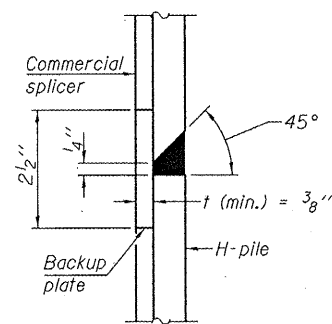
ELEVATION



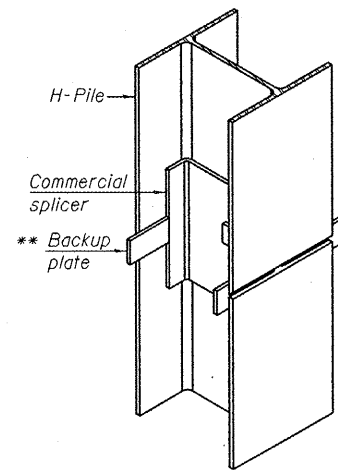
SECTION A-A

Note:
Forms for encasement may be omitted when soil conditions permit.

PILE ENCASEMENT

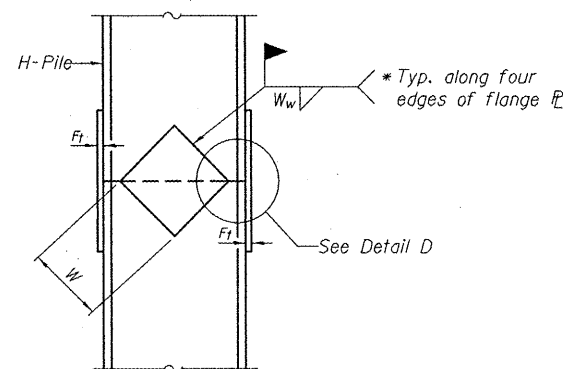


DETAIL "B"

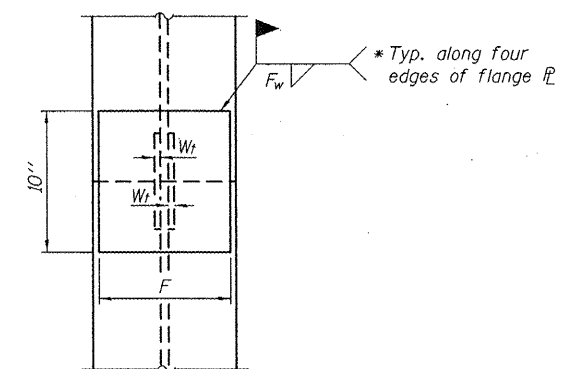


ISOMETRIC VIEW

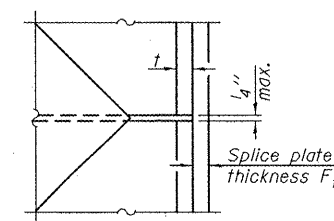
WELDED COMMERCIAL SPLICE



ELEVATION



END VIEW



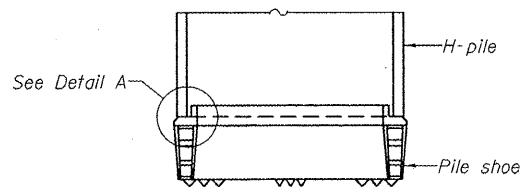
DETAIL D

WELDED PLATE FIELD SPLICE

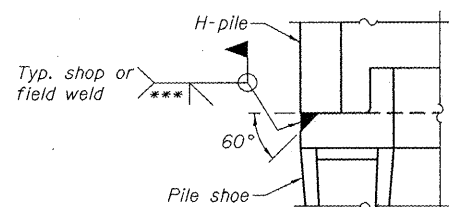
Designation	F	Ft	Fw	W	Wt	Ww
HP 14x117	12 1/2"	1"	7/8"	7 3/4"	5 8/16"	1 1/2"
x102	12 1/2"	7/8"	3/4"	7 3/4"	5 8/16"	1 1/2"
x89	12 1/2"	3/4"	1/16"	7 3/4"	5 8/16"	1 1/2"
x73	12 1/2"	5/8"	9/16"	7 3/4"	5 8/16"	1 1/2"
HP 12x84	10"	7/8"	1/16"	6 1/2"	5 8/16"	1 1/2"
x74	10"	7/8"	1/16"	6 1/2"	5 8/16"	1 1/2"
x63	10"	5/8"	1/2"	6 1/2"	1 1/2"	3/8"
x53	10"	5/8"	1/2"	6 1/2"	1 1/2"	3/8"
HP 10x57	8"	3/4"	9/16"	5 1/4"	1 1/2"	3/8"
x42	8"	5/8"	9/16"	5 1/4"	1 1/2"	3/8"
HP 8x36	7"	5/8"	7/16"	4 1/4"	1 1/2"	3/8"

Note:
The steel H-piles shall be according to AASHTO M270 Grade 50.

* Interrupt welds 1/4" from end of web and/or each flange.
** Remove portions of backup plates that extend outside the flanges.
*** Weld size per pile shoe manufacturer (3/16" min.).

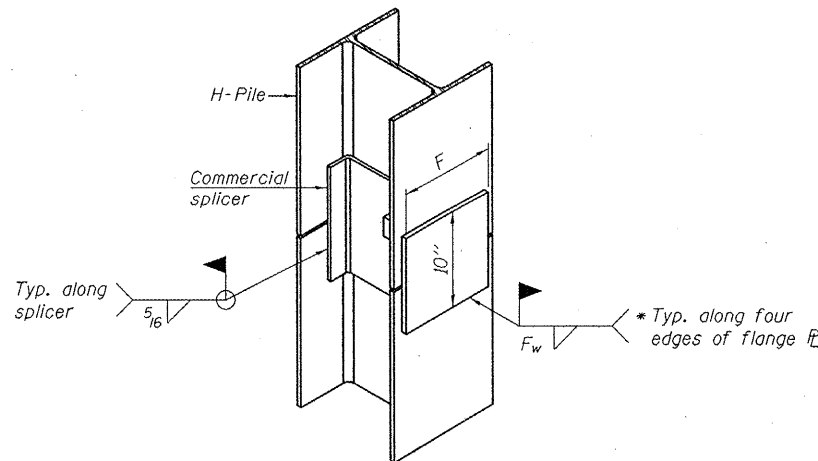


ELEVATION



DETAIL A

H-PILE SHOE ATTACHMENT



ISOMETRIC VIEW

WELDED COMMERCIAL SPLICE ALTERNATE

DESIGNED	SMR
CHECKED	FT
DRAWN	MBM
CHECKED	SMR/FT

F-HP 7-1-10

US ROUTE 150 OVER HENDERSON CREEK
F.A.S. ROUTE 1190 - SEC. (125BY)BR
KNOX COUNTY
STATION 150+71.00
STRUCTURE NO. 048-0088

HP PILE DETAILS