

TRANSVERSE DRAIN TANGENT PAVEMENT
STA 19+00 & 20+00

GENERAL NOTES

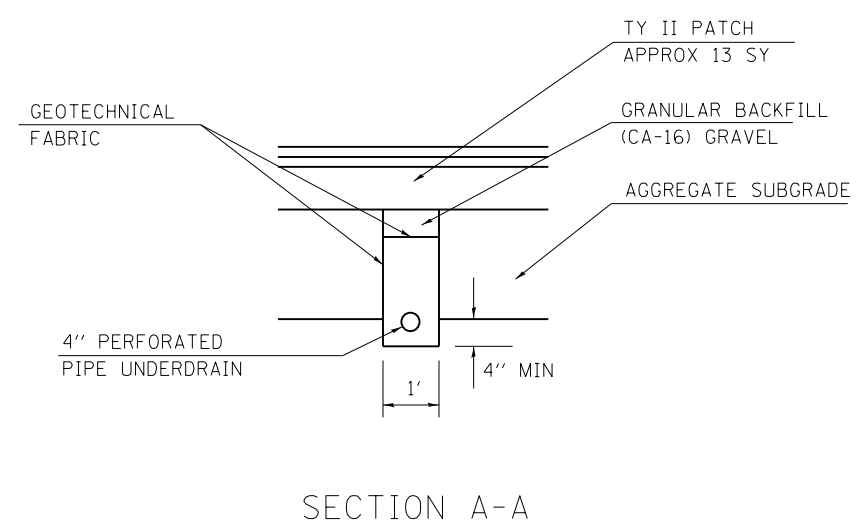
TRANSVERSE DRAIN MATERIALS AND CONSTRUCTION SHALL CONFORM TO SECTION 601 OF THE STANDARD SPECIFICATIONS EXCEPT THAT NO FABRIC ENVELOPE IS REQUIRED ON PERFORATED PIPE. THE GRANULAR BACKFILL SHALL BE GRAVEL AND THE GRADATION SHALL BE CA-16.

GEOTECHNICAL FABRIC SHALL BE NON-WOVEN NEEDLE PUNCHED MATERIAL.

ALL MATERIALS WILL NOT BE MEASURED SEPERATELY, BUT WILL BE INCLUDED IN THE COST PER UNIT FOR TRANSVERSE DRAINS COMPLETE.

SKREW TRANSVERSE DRAIN 20° FORWARD IN DIRECTION OF FLOW.

ASSUMED PAVEMENT PATCH WIDTH IS 4 FEET.



FILE NAME = c:\pwork\pwork\pwork\sparksgw\0222140\0672078-sht-details.dgn	USER NAME = sparksgw	DESIGNED - DMS	REVISED -	STATE OF ILLINOIS DEPARTMENT OF TRANSPORTATION	PROJECT DETAILS				F.A.P. RTE.	SECTION	COUNTY	TOTAL SHEETS	SHEET NO.
	PLOT SCALE = 100.0000' / 1" =	CHECKED -	REVISED -						757	20RS-7	PIKE	39	37
PLOT DATE = Oct-20-2011 03:28:37PM	DATE -	REVISED -	REVISED -	SCALE:	SHEET NO.	OF SHEETS	STA.	TO STA.	CONTRACT NO. 72D78 ILLINOIS FED. AID PROJECT				