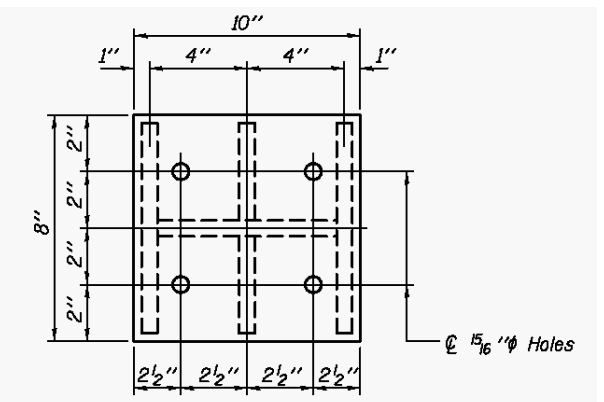
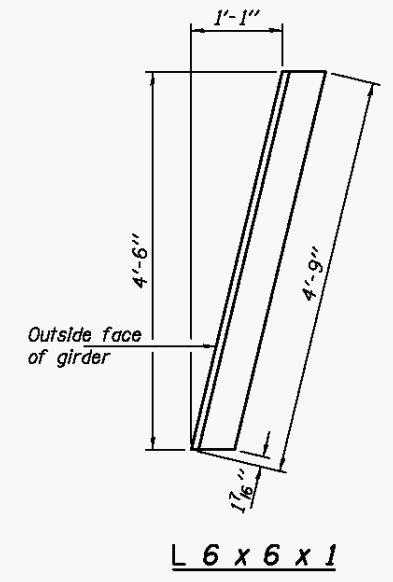
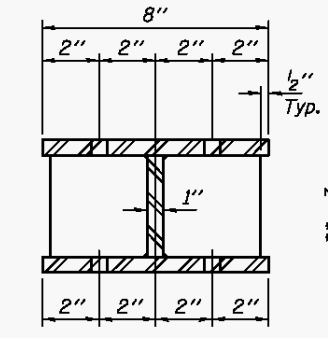


**TYP. REPAIR AT ABUTMENTS**  
(12 Locations)

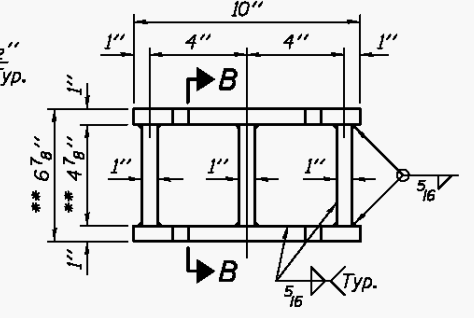
\* Epoxy grout in 9" min. holes according to Article 584 of the Standard Specifications.



**PLAN TOP AND BOTTOM PLATE**



**SECTION B-B**



**BOLSTER DETAIL**  
\*\* Adjust as required to maintain 1/4" gap.

Note:  
Bolster "A" & "B" are identical except there are no holes in the bottom plate of Bolster "B".

FOR INFORMATION ONLY