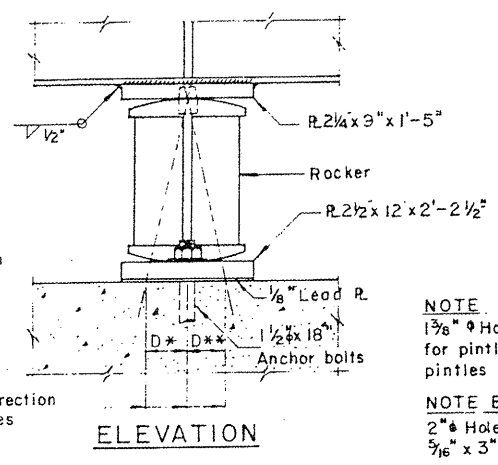
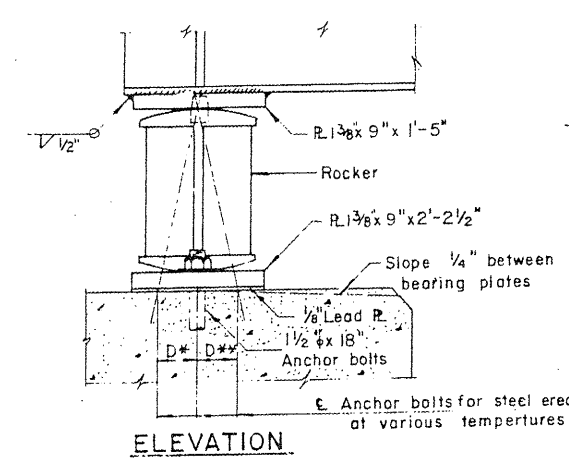


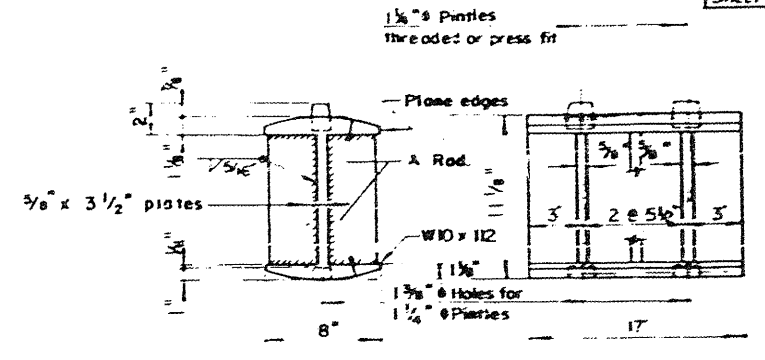
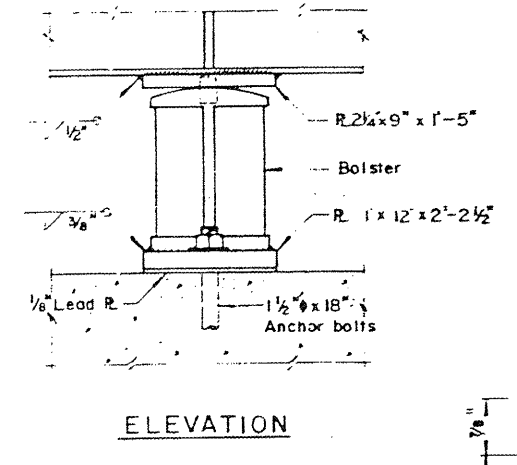
PROJECT NO.	SECTION	COUNTY	TOTAL SHEETS	SHEET NO.
FA 34	2 BR	MENARD	57	22
MASON-MENARD COUNTY				Sheet 16 of 35



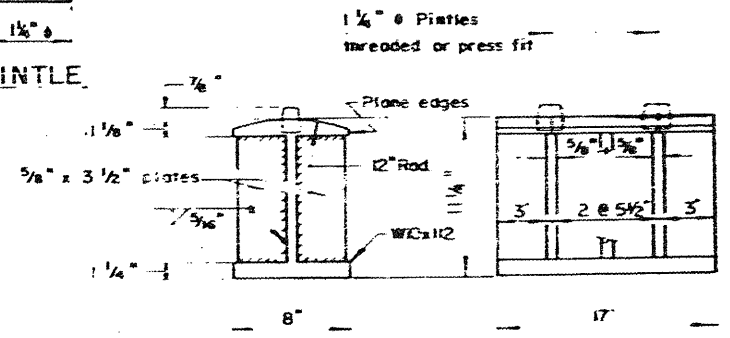
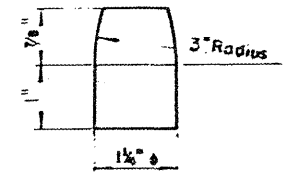
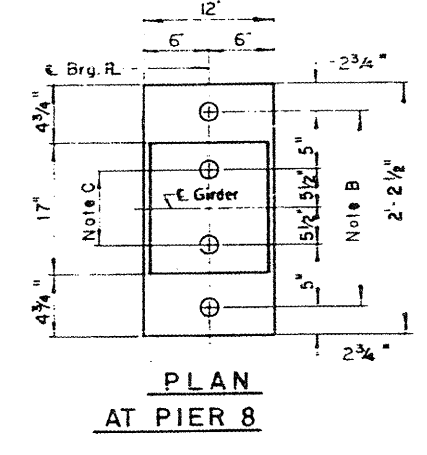
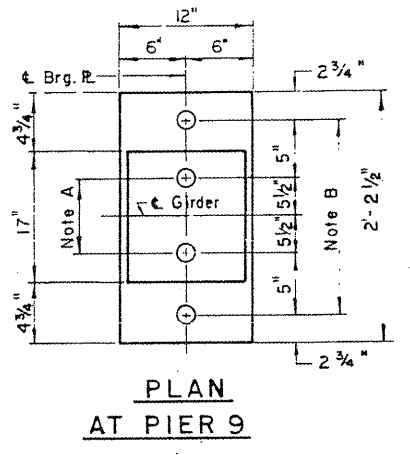
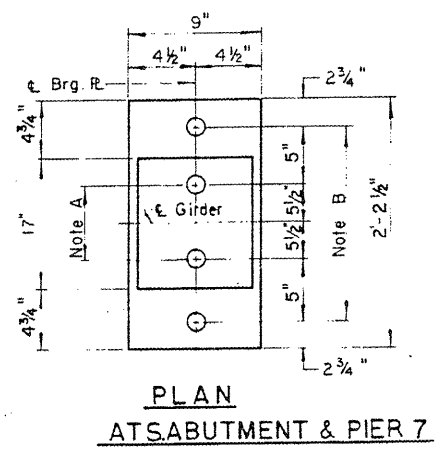
NOTE A
1 3/8" Holes - 1" deep in top R. for pintles. Thread or press fit pintles into bottom R.

NOTE B
2" Holes for 1 1/2" anchor bolts 5/16" x 3" x 3" R. Washers under nut.

NOTE C
1 3/8" Holes 1" deep in top R. only for 1 1/4" pintles.



ROCKER
A=12" @ P 7 & P 9
A=17" @ S. Abut.



BOLSTER

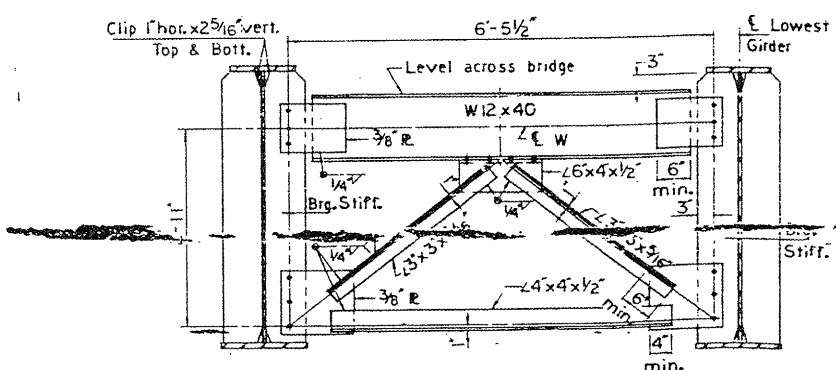
BEARING ASSEMBLY DETAILS

NOTES ON SETTING OF ANCHOR BOLTS AT EXP. BRGS.

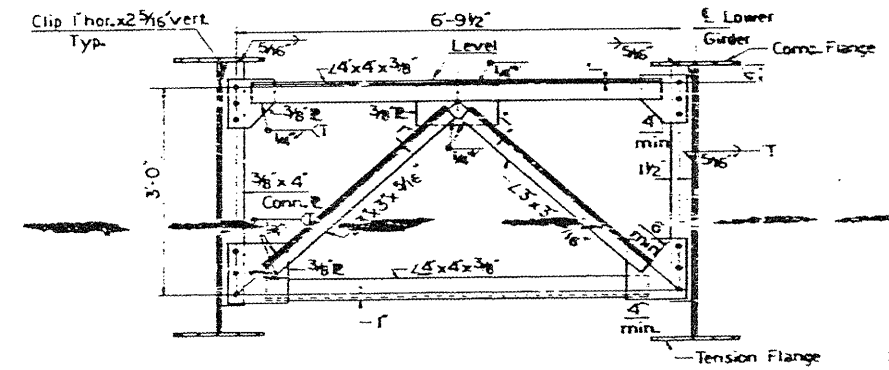
a) D* (Side of brg. away from fixed brg.)
D* = 1/8" per each 100' of expansion for every 15° fall above the normal temp. of 50° F.

D** (Side of brg. toward fixed brg.)
D** = 1/8" per each 100' of expansion for every 15° rise above the normal temp. of 50° F.

If the girders have been scuffed and dimensions D* or D** determined, holes shall be drilled and anchor bolts grouted in place. All fixed anchor bolts may be built into the masonry.



END CROSS FRAME-CF
6 Req'd.



INTERIOR CROSS FRAME-CF₁
44 Req'd.

UNIT III
BEARINGS & CROSS FRAMES
FA RT 34 SEC 2 BR
MASON-MENARD COUNTY
STA. 730+40.73

FOR INFORMATION ONLY

EXISTING PLANS, SN 065-0002
VARIOUS ROUTES
D6REHAB BDGE PAINTING 2012
MENARD, SANGAMON COUNTIES