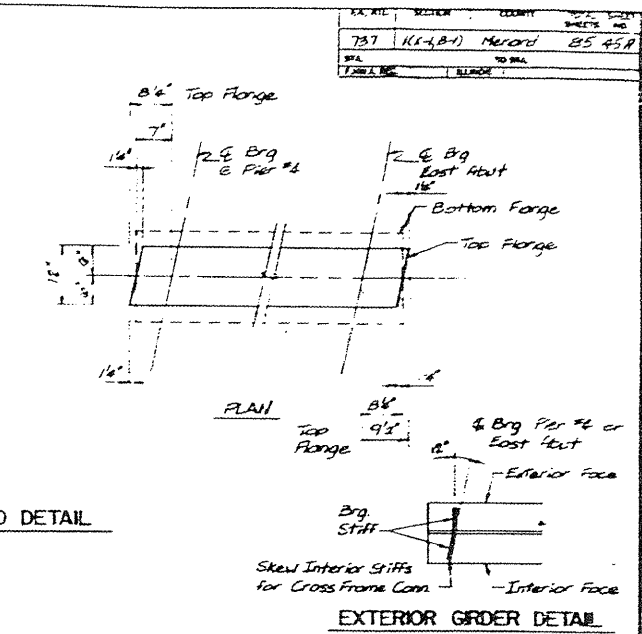
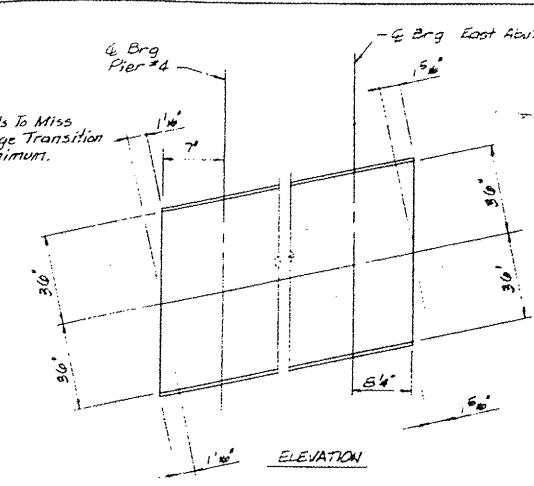
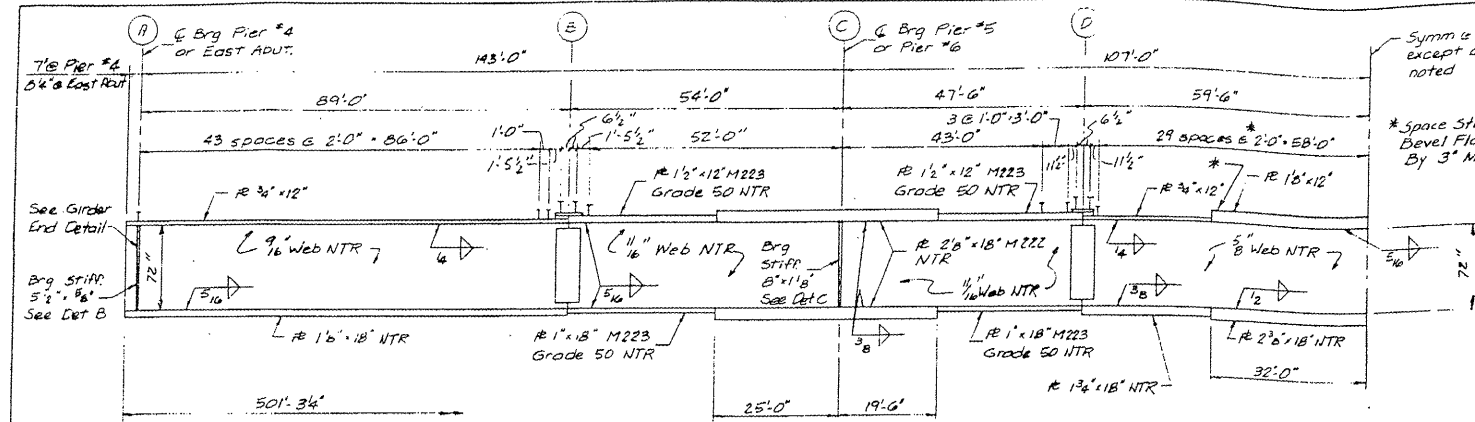
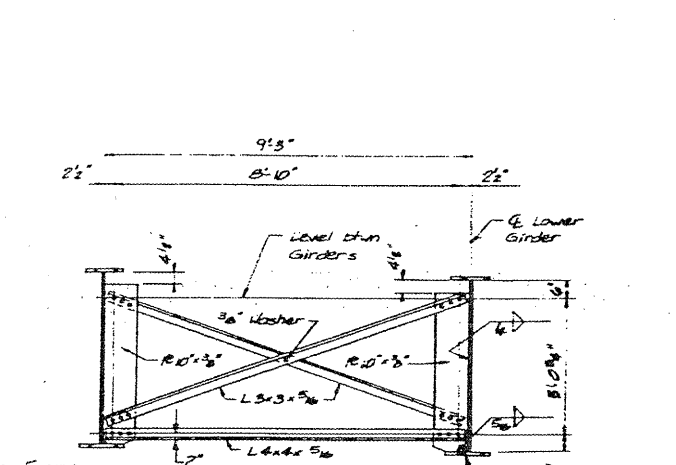
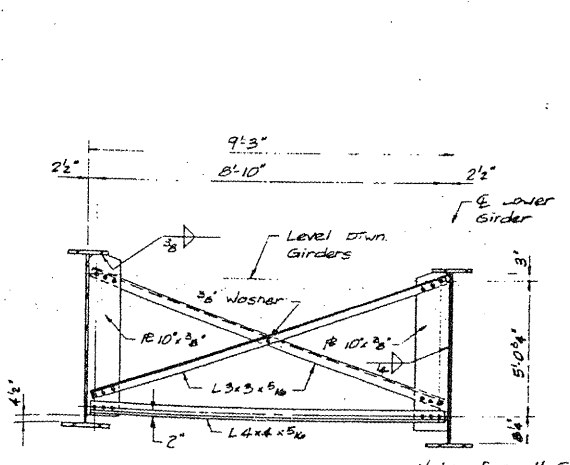
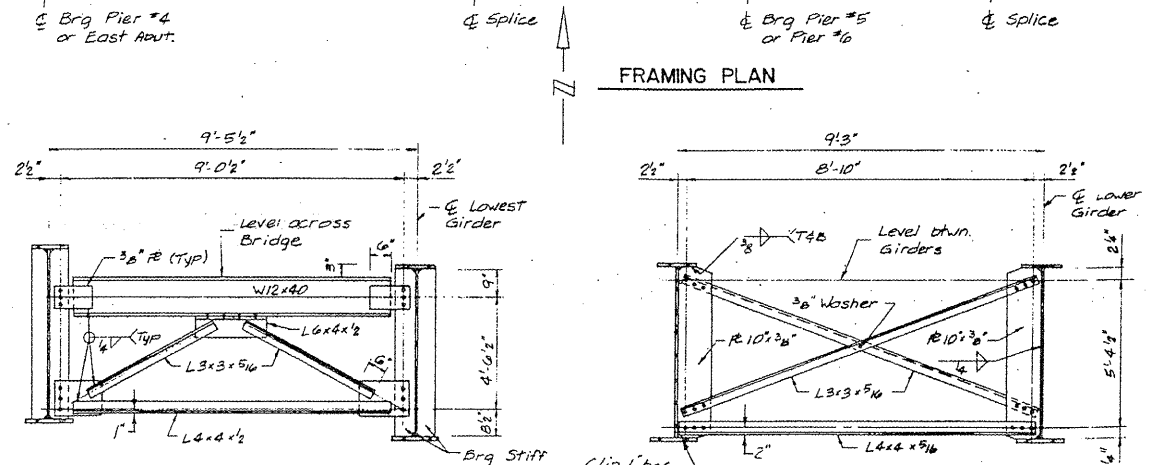
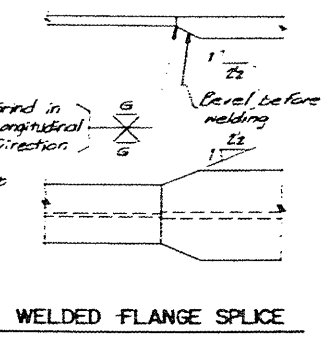
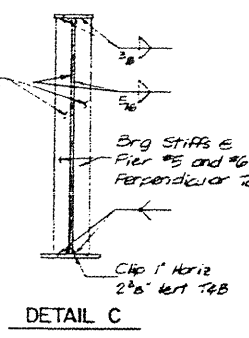
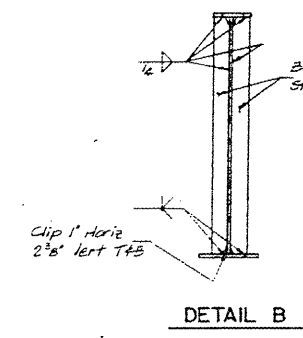
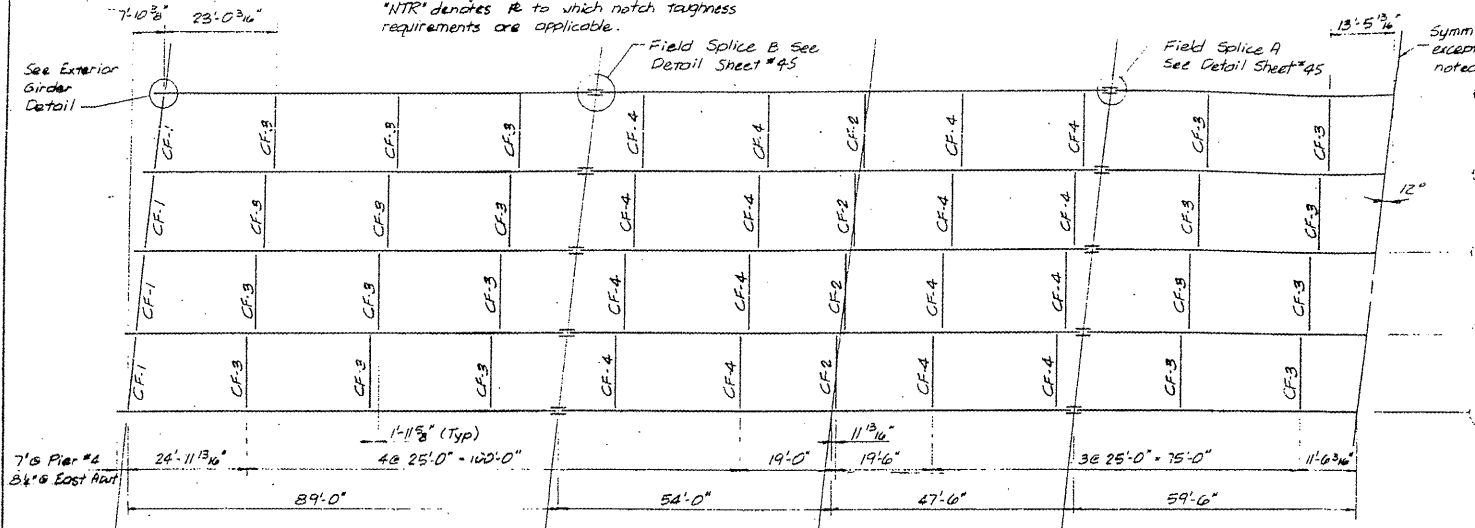


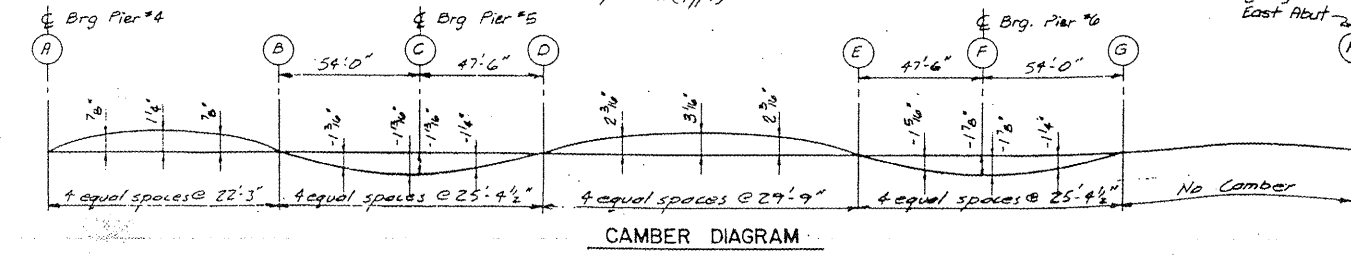
PROJECT	737 (K1-B-1) Merced	SHEET NO.	85 45R
DATE			



Note:  
All Structural Steel to be M183 except those flange R's noted as M223 (Gr. 50) or M222. 'NTR' denotes R to which notch toughness requirements are applicable.



Note: For all Cross Frames: Material M 183, 3/4" + Bolts M 104; 1 1/2" + Nuts; 2 Hardened washers req'd with all bolts.



	(A) E Brig Pier #4	(B) E Splice	(C) E Brig Pier #5	(D) E Splice	(E) E Splice	(F) E Brig Pier #6	(G) E Splice	(H) E Brig East Abut
Girder #1	525.78	528.52	530.07	531.76	535.33	536.89	538.18	541.46
Girder #2	525.89	528.62	530.18	531.87	535.44	536.60	538.29	541.54
Girder #3	525.90	528.63	530.19	531.88	535.45	536.61	538.30	541.53
Girder #4	525.69	528.42	529.98	531.67	535.24	536.40	537.09	541.30
Girder #5	525.44	528.17	528.73	531.42	534.99	536.15	537.04	541.03

TOP OF WEB ELEVATIONS  
(For Fabrication Only)

Revised 12-14-83

FOR INFORMATION ONLY

EXISTING PLANS, SN 065-0016  
VARIOUS ROUTES  
D6REHAB BDGE PAINTING 2012  
MENARD, SANGAMON COUNTIES