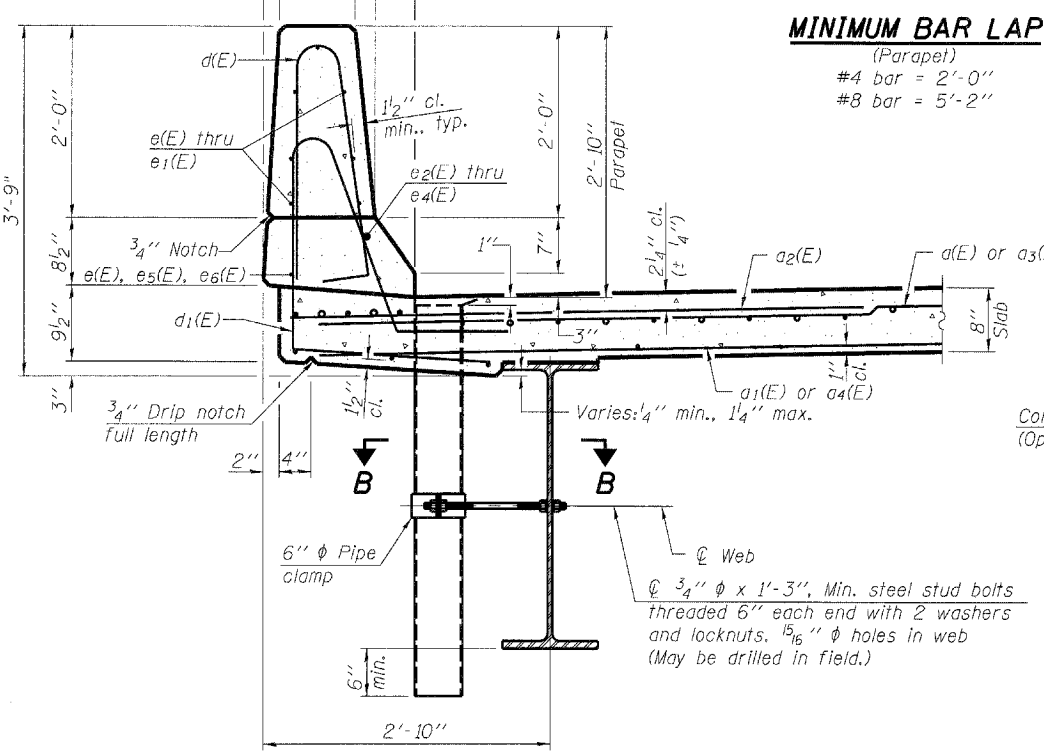


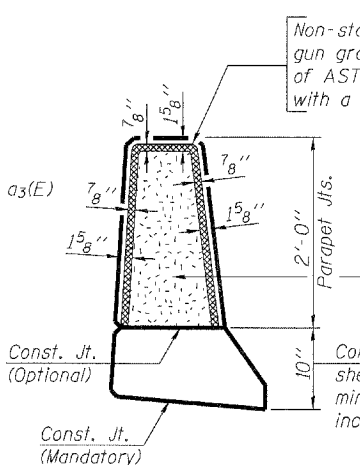
INSIDE ELEVATION OF PARAPET



SECTION THRU PARAPET

MINIMUM BAR LAP

(Parapet)
 #4 bar = 2'-0"
 #8 bar = 5'-2"



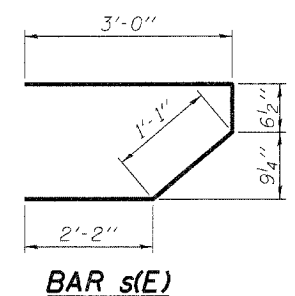
PARAPET JOINT DETAILS

Notes:
 Fiberglass pipe shall conform to ASTM D 2996, with short-time rupture strength hoop tensile stress of 30,000 p.s.i. minimum.
 Floor drains need not be painted.

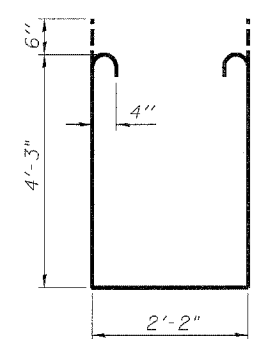
SUPERSTRUCTURE BILL OF MATERIAL

| Bar | No. | Size | Length | Shape |
|----------------------------------|------|----------|---------|-------|
| d(E) | 682 | #5 | 19'-8" | — |
| a1(E) | 417 | #5 | 19'-2" | — |
| a2(E) | 1362 | #6 | 6'-6" | — |
| a3(E) | 682 | #5 | 22'-8" | — |
| a4(E) | 417 | #5 | 22'-2" | — |
| a5(E) | 4 | #5 | 20'-6" | — |
| a6(E) | 4 | #5 | 23'-7" | — |
| b(E) | 552 | #5 | 28'-5" | — |
| b1(E) | 172 | #6 | 33'-1" | — |
| b2(E) | 533 | #5 | 26'-5" | — |
| d(E) | 682 | #5 | 5'-7" | — |
| d1(E) | 682 | #5 | 7'-4" | — |
| e(E) | 204 | #4 | 15'-9" | — |
| e1(E) | 70 | #4 | 17'-4" | — |
| e2(E) | 12 | #8 | 30'-2" | — |
| e3(E) | 8 | #8 | 15'-9" | — |
| e4(E) | 6 | #8 | 32'-8" | — |
| e5(E) | 12 | #4 | 28'-0" | — |
| e6(E) | 6 | #4 | 30'-7" | — |
| m(E) | 10 | #6 | 20'-6" | — |
| m1(E) | 12 | #6 | 9'-1" | — |
| m2(E) | 8 | #6 | 7'-5" | — |
| m3(E) | 4 | #6 | 2'-7" | — |
| m4(E) | 2 | #6 | 2'-0" | — |
| m5(E) | 10 | #6 | 23'-6" | — |
| m6(E) | 12 | #6 | 10'-1" | — |
| m7(E) | 2 | #6 | 5'-1" | — |
| s(E) | 94 | #5 | 6'-10" | — |
| s1(E) | 72 | #4 | 11'-9" | — |
| v(E) | 86 | #5 | 3'-10" | — |
| Reinforcement Bars, Epoxy Coated | | Pound | 118,200 | |
| Concrete Superstructure | | Cu. Yds. | 458.2 | |
| Floor Drains | | Each | 10 | |

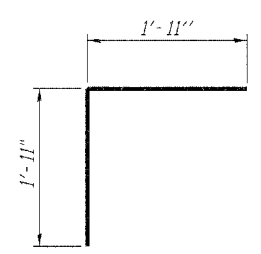
Bars indicated thus 1 x 3 - #5 etc. indicates 1 line of bars with 3 lengths per line.



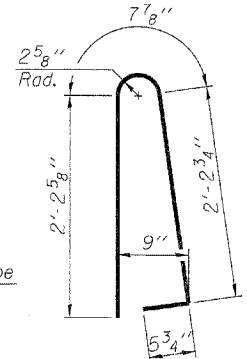
BAR s(E)



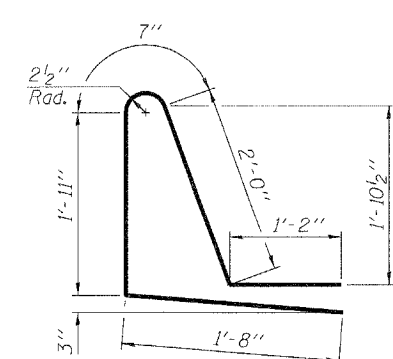
BAR s1(E)



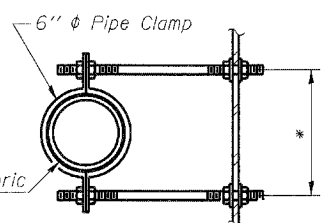
BAR v(E)



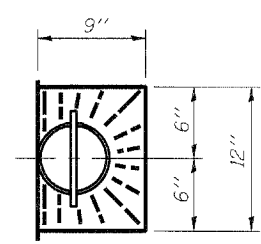
BAR d(E)



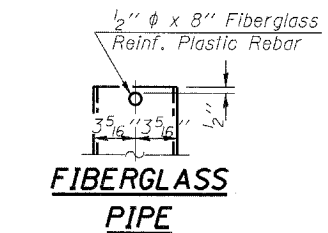
BAR d1(E)



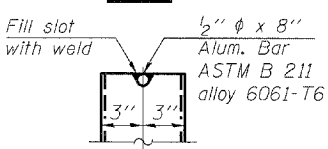
SECTION B-B
 *Dimension as required by Pipe Clamp



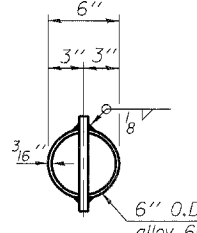
TOP PLAN



FIBERGLASS PIPE



ALUMINUM TUBE



TOP PLAN
 (Showing Aluminum Tube)

S-I-D 7-1-10



| | |
|-------------------|-----------|
| DESIGNED - DF | REVISED - |
| CHECKED - ADG, SA | REVISED - |
| DRAWN - ADG | REVISED - |
| CHECKED - DF | REVISED - |

STATE OF ILLINOIS
 DEPARTMENT OF TRANSPORTATION

SUPERSTRUCTURE DETAILS
 STRUCTURE NO. 015-0075

SHEET NO. 10 OF 24 SHEETS

| F.A.P. RTE. | SECTION | COUNTY | TOTAL SHEETS | SHEET NO. |
|--------------------|----------|--------|--------------|-----------|
| 91 | (SBR)B-1 | COLES | 91 | 45 |
| CONTRACT NO. 74244 | | | | |

PRINTED DATE: 5/11/2011
 FILE NAME: n:\projects\148\148_10m_25 - 47\various design\work_order_87\cadd\drawings\Sheets\SE_R116_SuperDetail.dwg