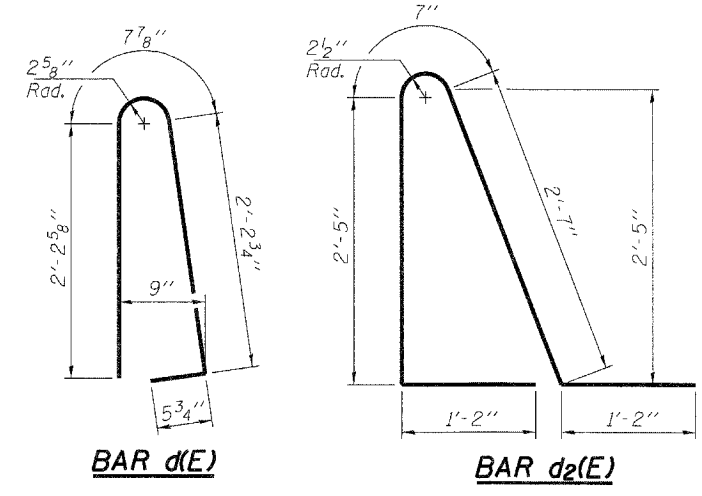
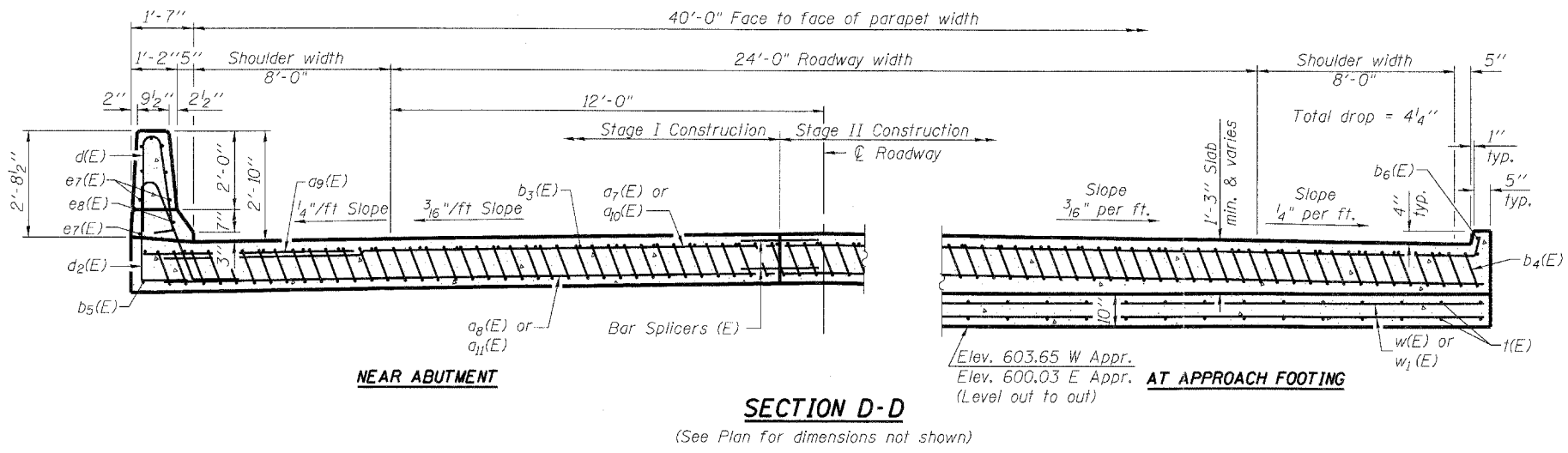
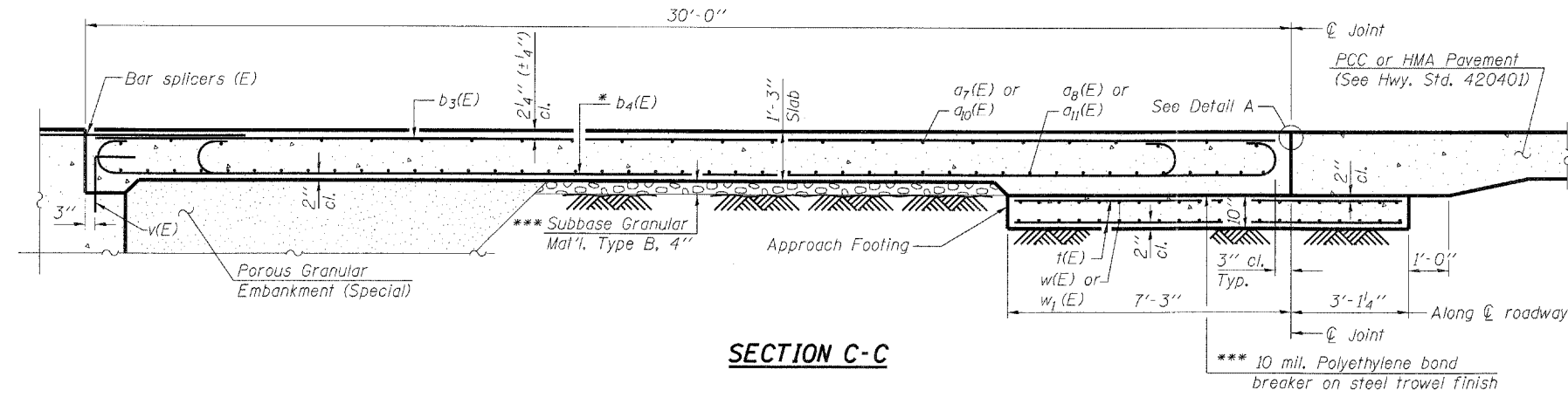
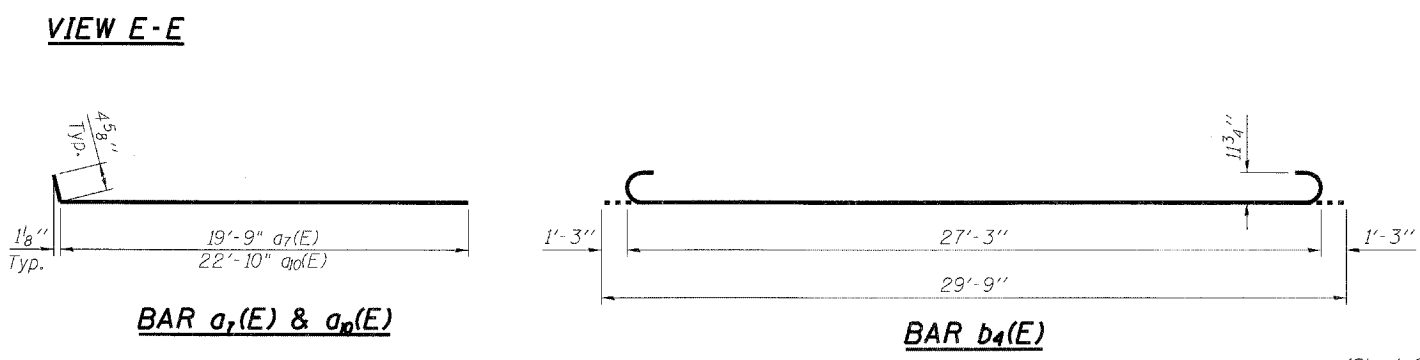
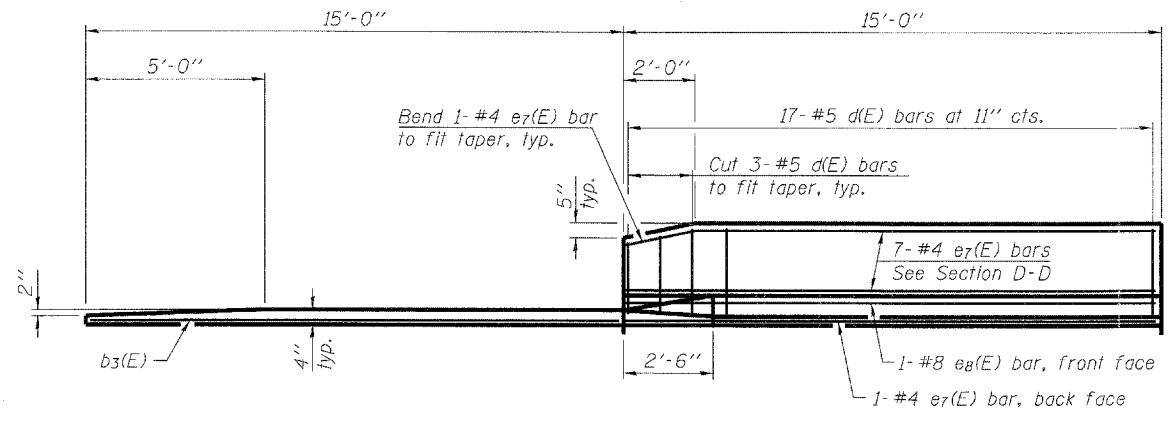


Notes:
 See sheet 12 of 24 for Detail A and View B-B.
 Approach slab and parapet concrete shall be paid for as Concrete Superstructure.
 Approach footing concrete shall be paid for as Concrete Structures.
 Reinforcement footing shall be paid for as Reinforcement Bars, Epoxy Coated.
 For v(E) bar details, see sheet 10 of 24.
 The approach footing maximum applied service bearing pressure (Qmax) = 2.0 ksf.
 For bar splicer details, see sheet 22 of 24.
 Cost of excavation for approach footing included with Concrete Structures.
 For Porous Granular Embankment (Special) and drainage treatment details, see sheet 3 of 24.
 For additional parapet details, see sheet 10 of 24.
 For Bar Splicer details, see sheet 22 of 24.



* Tilt #9 b4(E) bars as required to maintain clearance.
 *** Cost included with Concrete Superstructure.



**TWO APPROACHES
 BILL OF MATERIAL**

Bar	No.	Size	Length	Shape
a7(E)	50	#4	20'-2"	—
a8(E)	92	#5	19'-10"	—
a9(E)	48	#6	6'-6"	—
a10(E)	50	#4	23'-3"	—
a11(E)	92	#5	22'-11"	—
b3(E)	68	#4	29'-8"	—
b4(E)	200	#9	29'-9"	—
b5(E)	4	#4	14'-8"	—
b6(E)	4	#4	14'-5"	—
d(E)	68	#5	5'-7"	—
d2(E)	68	#5	7'-11"	—
e7(E)	32	#4	14'-8"	—
e8(E)	4	#8	14'-8"	—
t(E)	168	#4	6'-11"	—
w(E)	80	#5	19'-10"	—
w1(E)	80	#5	22'-11"	—
Concrete Superstructure	Cu. Yd.		128.4	
Concrete Structures	Cu. Yd.		26.7	
Reinforcement Bars, Epoxy Coated	Pound		33450	