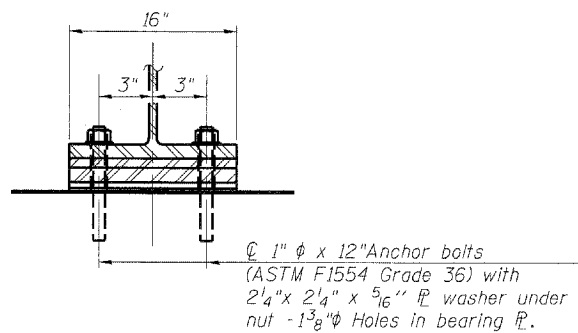
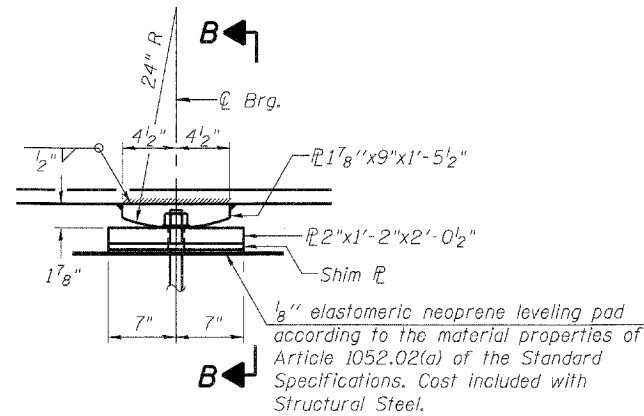


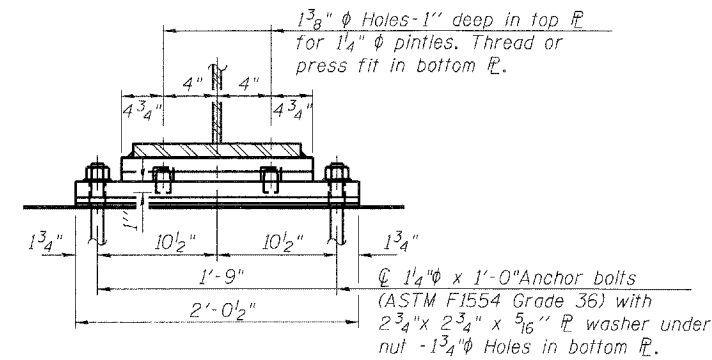
ELEVATION AT ABUTMENT



SECTION A-A



ELEVATION AT PIER

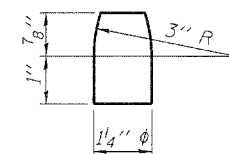


SECTION B-B

FIXED BEARING

FIXED BEARING

Notes:
 Anchor bolts shall be ASTM F1554 all-thread (or an Engineer-approved alternate material) of the grade(s) and diameter(s) specified. ASTM A307 Grade C anchor bolts may be used in lieu of ASTM F1554 Grade 36 (Fy=36ksi). The corresponding specified grade of AASHTO M314 anchor bolts may be used in lieu of ASTM F1554.
 Anchor bolts at fixed bearings may be either cast in place or installed in holes drilled after the supported member is in place.
 Drilled and set anchor bolts shall be installed according to Article 521.06 of the Standard Specifications.
 All structural steel shall be AASHTO M 270 Grade 50W. Two 1/8 in. adjusting shims shall be provided for each bearing in addition to all other plates or shims and placed as shown on bearing details.



PINTLE

BILL OF MATERIAL

Item	Unit	Total
Anchor Bolts, 1"	Each	24
Anchor Bolts, 1.4"	Each	24

PRINTED DATE: 5/11/2011
 FILE NAME: s:\projects\148_148_25 - 47 - various design\work order_07\cadd\brg\brg\Sheet\51_Plate_Brg\Brg.dwg



DESIGNED - DF	REVISED -
CHECKED - ADG, SA	REVISED -
DRAWN - ADG	REVISED -
CHECKED - DF	REVISED -

**STATE OF ILLINOIS
 DEPARTMENT OF TRANSPORTATION**

**BEARING DETAILS
 STRUCTURE NO. 015-0075**

SHEET NO. 16 OF 24 SHEETS

F.A.P. RTE.	SECTION	COUNTY	TOTAL SHEETS	SHEET NO.
91	(5BR)B-1	COLES	91	51
CONTRACT NO. 74244				
FED. ROAD DIST. NO. - ILLINOIS FED. AID PROJECT				