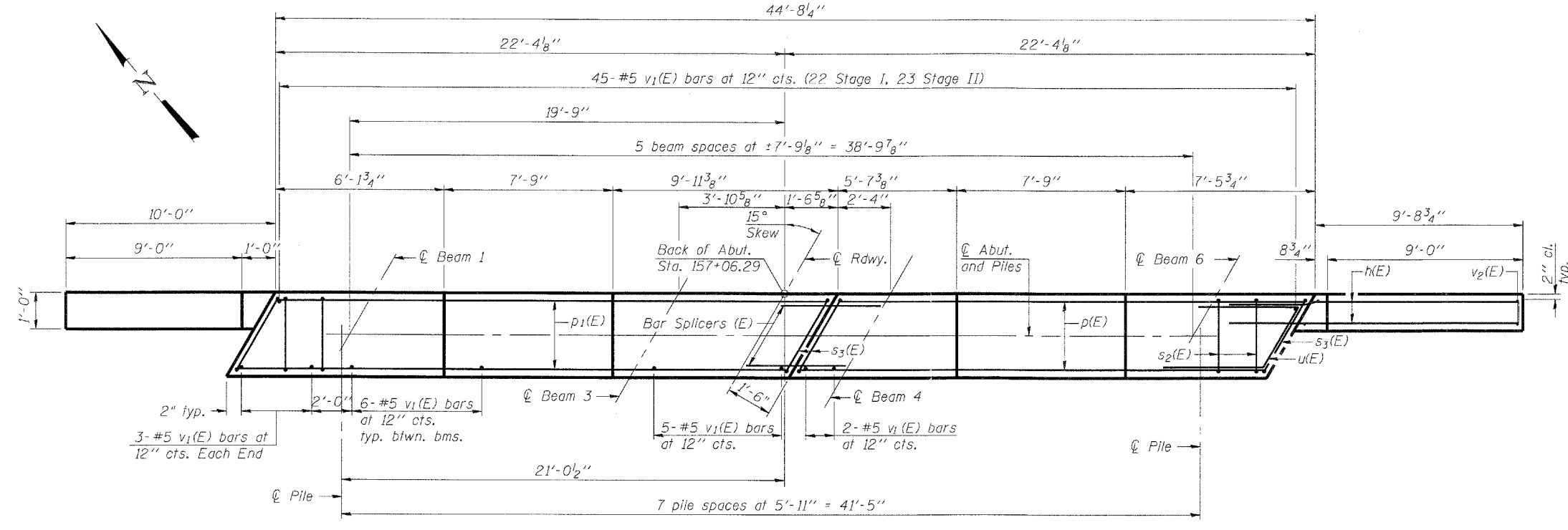
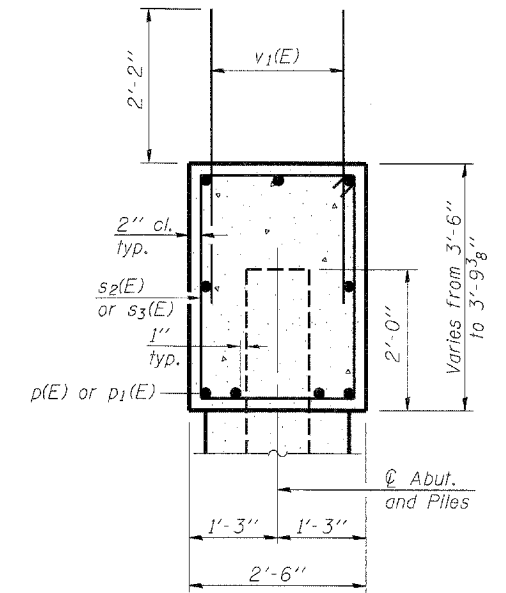
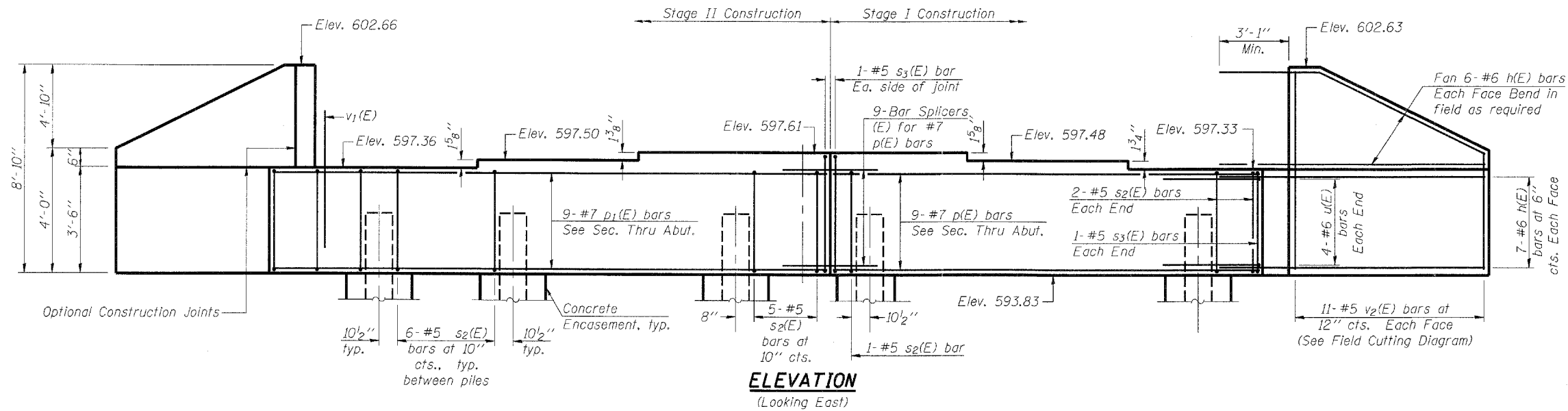


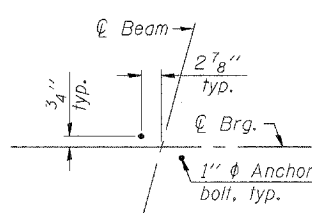
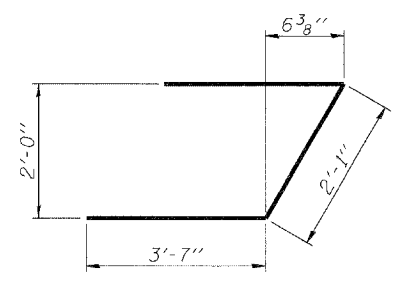
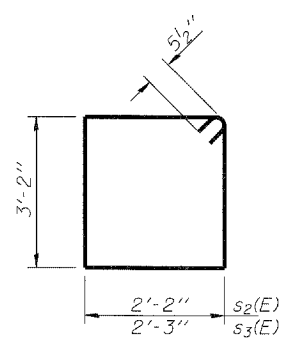
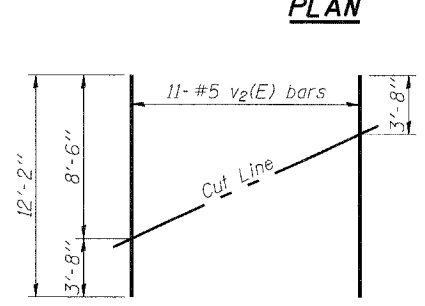
Notes:
 Pour steps monolithically with cap.
 Space reinforcement in cap to miss anchor bolts.



PILE DATA

Type: Steel-HP 12x63, with pile shoes
 Nominal Required Bearing: 497 kips
 Factored Resistance Available: 249 kips
 Est. Length: 24', includes 2' of penetration into rock
 No. Production Piles: 7
 No. Test Piles: 1
 Estimated Top of Rock Elev.: 574.4

Note:
 Piles shall be driven through - diameter precored holes extending to elevation - according to Article 512.09(c) of the Standard Specifications. Cost included in driving piles.



BILL OF MATERIAL

Bar	No.	Size	Length	Shape
h(E)	52	#6	14'-10"	—
p(E)	9	#7	20'-6"	—
p ₁ (E)	9	#7	23'-6"	—
s ₂ (E)	39	#5	11'-7"	□
s ₃ (E)	4	#5	11'-9"	□
u(E)	8	#6	9'-3"	└
v ₁ (E)	81	#5	4'-4"	—
v ₂ (E)	22	#5	12'-2"	—
Structure Excavation		Cu. Yd.	81.4	
Concrete Structures		Cu. Yd.	20.0	
Reinforcement Bars, Epoxy Coated		Pound	3250	
Furnishing Steel Piles HP 12x63		Foot	168	
Driving Piles		Foot	168	
Test Pile Steel HP 12x63		Each	1	
Concrete Encasement		Cu. Yd.	2.8	
Pile Shoes		Each	8	

For details of Bar Splicers, see sheet 22 of 24.
 For details of piles and Concrete Encasement, see sheet 21 of 24.

PRINTED DATE: 5/11/2011
 FILE NAME: \\s01projet\proj\1481\item_25 - d17\various design\work_order_87\cadd\drawing\sheet\53_R146_Abut_East.dwg



DESIGNED - DF
 CHECKED - ADG, SA
 DRAWN - ADG
 CHECKED - DF

REVISED -
 REVISED -
 REVISED -
 REVISED -

PLLOT DATE = 5/11/2011

STATE OF ILLINOIS
 DEPARTMENT OF TRANSPORTATION

EAST ABUTMENT
 STRUCTURE NO. 015-0075
 SHEET NO. 18 OF 24 SHEETS

F.A.P. RTE.	SECTION	COUNTY	TOTAL SHEETS	SHEET NO.
91	(5BR)B-1	COLES	91	53

CONTRACT NO. 74244
 FED. ROAD DIST. NO. - ILLINOIS FED. AID PROJECT