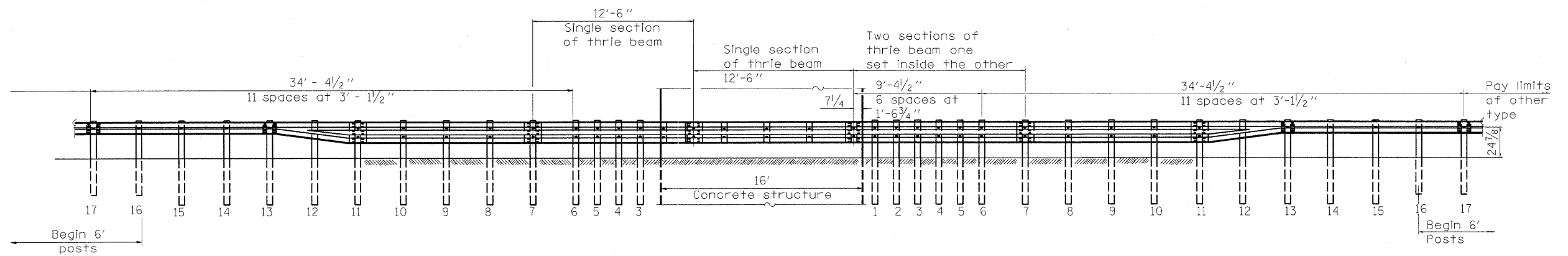
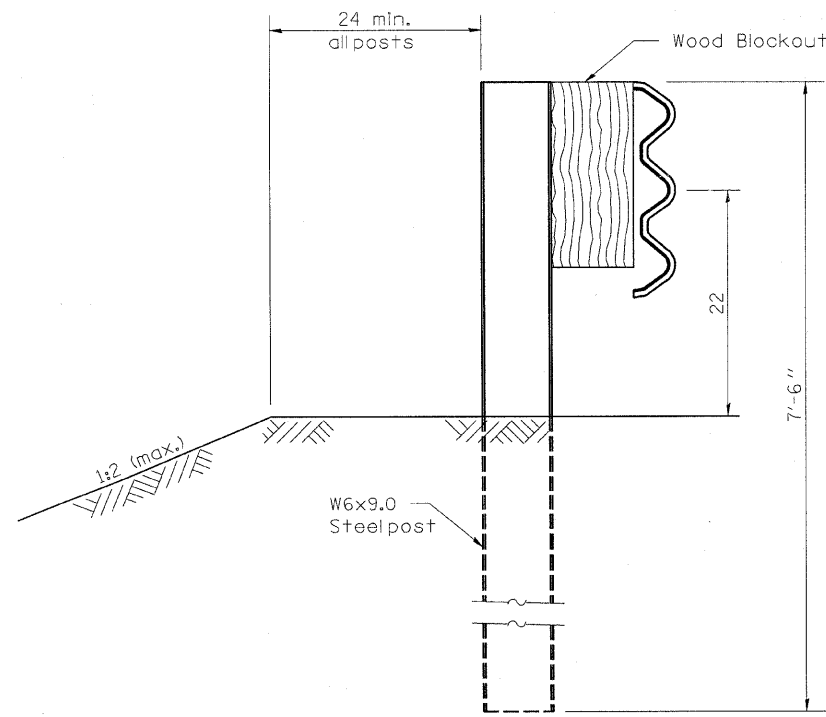


PLAN

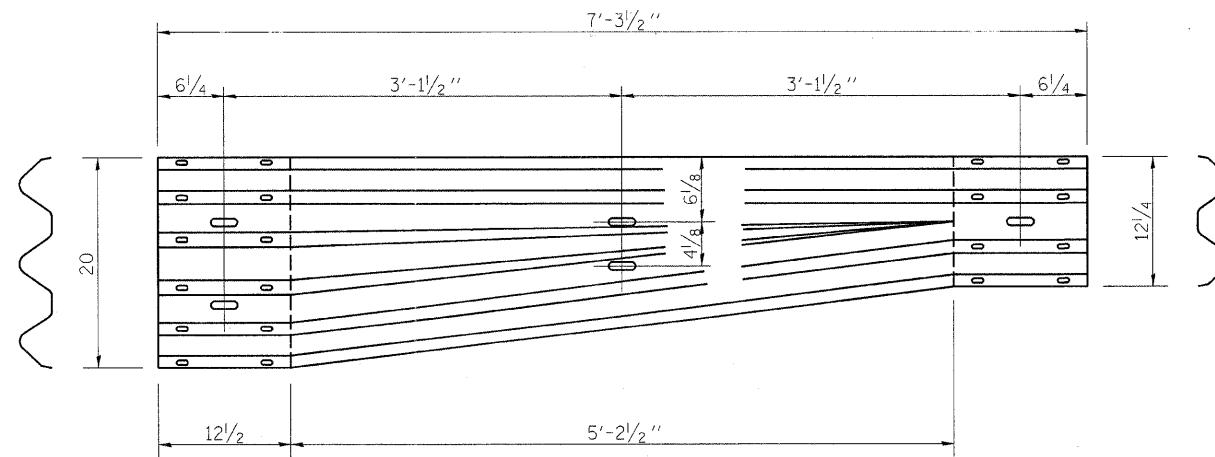
* With standard washers. After tightening, cut the anchor bolts flush with the nuts and damage the nuts to prevent them from loosening.



ELEVATION



SECTION A-A



TRANSITION SECTION
(10 gauge rail element)

GENERAL NOTES

- See Standard 630001 for details of guardrail not shown.
- Thrie beam rail shall be bolted to block-out at all posts.
- All slope ratios are expressed as units of vertical displacement to units of horizontal displacement (V:H).
- All dimensions are in inches unless otherwise shown.

FILE NAME =	USER NAME = teasleyck	DESIGNED -	REVISED -	STATE OF ILLINOIS DEPARTMENT OF TRANSPORTATION	TRAFFIC BARRIER TERMINAL, TYPE 6B (SPECIAL)	F.A.I. RTE.	SECTION	COUNTY	TOTAL SHEETS	SHEET NO.	
ct:\pw_work\pwwidot\teasleyck\d0264695\07	4467-shit-details.dgn	DRAWN -	REVISED -			57	.	.	32	31	
	PLOT SCALE = 50,0000' / in.	CHECKED -	REVISED -			CONTRACT NO. 74467					
	PLOT DATE = 9/29/2011	DATE -	REVISED -			ILLINOIS FED. AID PROJECT					
					SCALE:	SHEET NO.	OF SHEETS	STA.	TO STA.		