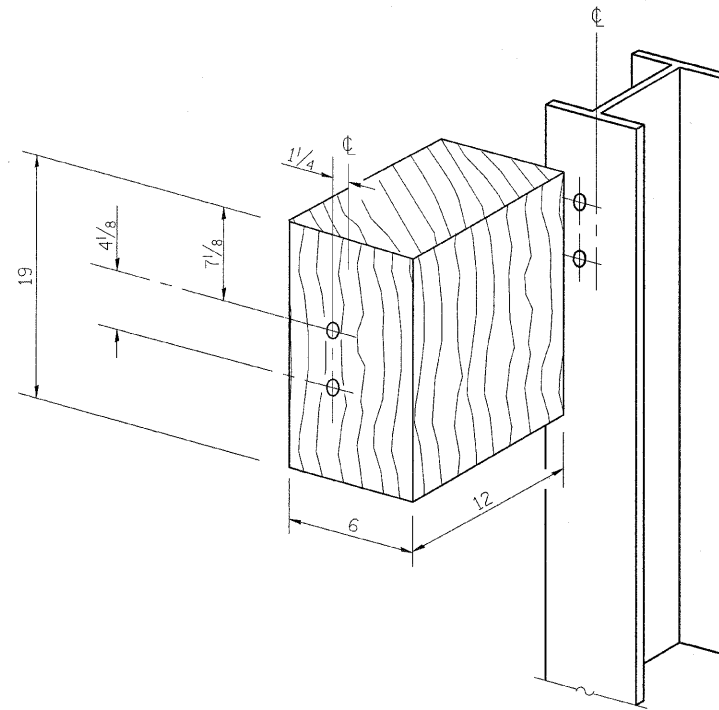
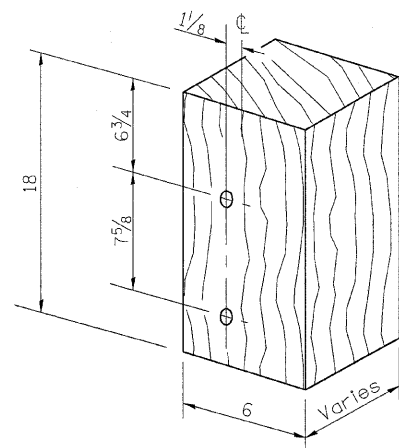


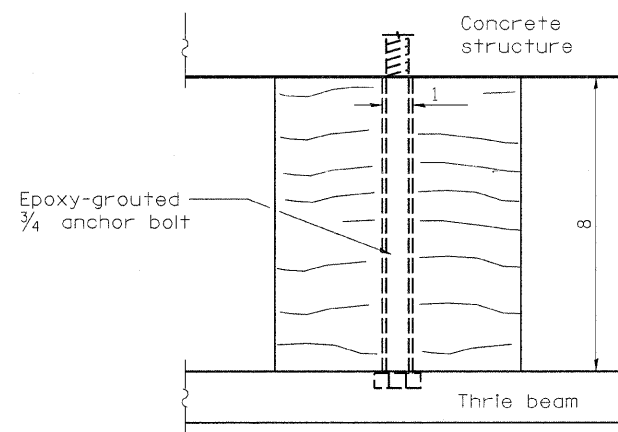
POSTS 1-11 WOOD BLOCKOUT DETAIL



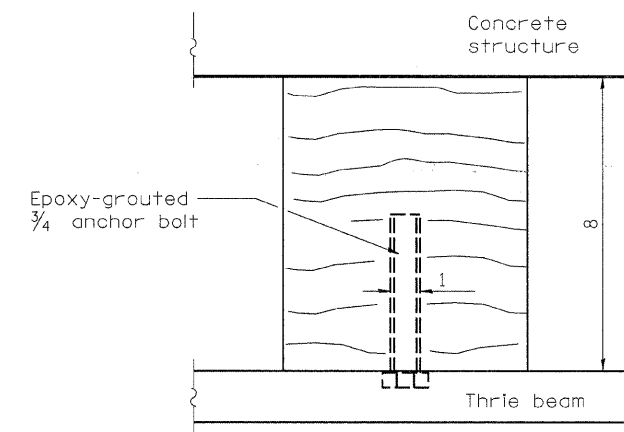
POST 12 WOOD BLOCKOUT DETAIL
(See Standard 630001 for post 13-17 blockouts.)



**MODIFIED THICKNESS DETAIL
WOOD BLOCKOUTS A**



WOOD BLOCKOUT A



WOOD BLOCKOUT B

FILE NAME =	USER NAME = teasleyck	DESIGNED -	REVISED -
ct:\pw_work\pwidot\teasleyck\d0264695\07	4467-shr-details.dgn	DRAWN -	REVISED -
	PLOT SCALE = 50.0000' / 1" =	CHECKED -	REVISED -
	PLOT DATE = 9/29/2011	DATE -	REVISED -

**STATE OF ILLINOIS
DEPARTMENT OF TRANSPORTATION**

TRAFFIC BARRIER TERMINAL, TYPE 6B (SPECIAL)

F.A.I. RTE.	SECTION	COUNTY	TOTAL SHEETS	SHEET NO.
57	.	.	32	32
ILLINOIS FED. AID PROJECT			CONTRACT NO. 74467	

SCALE: SHEET NO. OF SHEETS STA. TO STA.