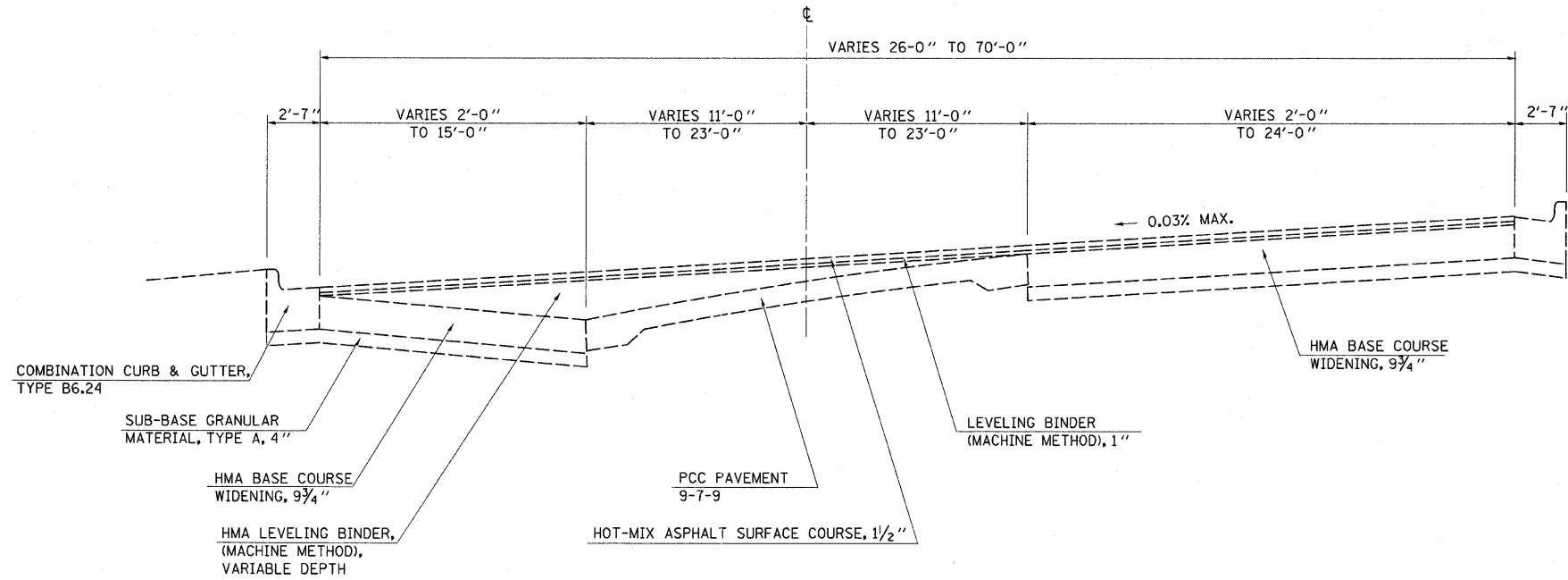


① EXISTING TYPICAL CROSS SECTION

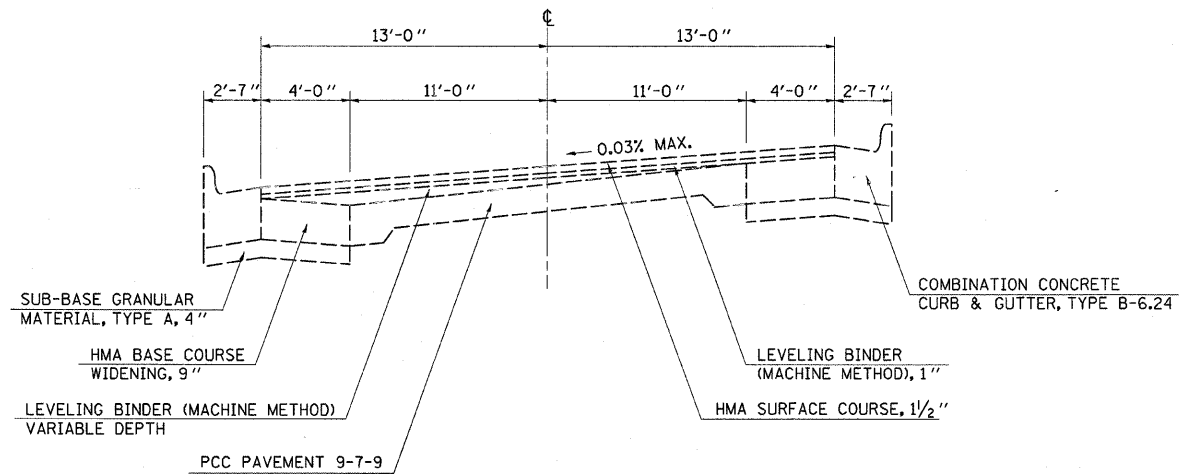
STA. 889+12.97 TO STA. 899+06.00



NOT DRAWN TO SCALE

② EXISTING TYPICAL CROSS SECTION

STA. 899+06.00 TO STA. 903+75.00



NOT DRAWN TO SCALE

FILE NAME =	USER NAME = swartzw	DESIGNED -	REVISED -	STATE OF ILLINOIS DEPARTMENT OF TRANSPORTATION	EXISTING TYPICAL CROSS SECTION		F.A.P. RTE.:	SECTION	COUNTY	TOTAL SHEETS	SHEET NO.
ct:\pw\work\p\idot\swartzw\0212489\077500-shr-typicals.dgn		DRAWN -	REVISED -		716	(127R,RS-2)(130R-2,RS-1)	MACON	98	6		
PLOT SCALE = 20,0000 ' / in.		CHECKED -	REVISED -		SCALE: NA SHEET NO. 1 OF 11 SHEETS STA. TO STA.		CONTRACT NO. 74500				
PLOT DATE = 10/13/2011		DATE -	REVISED -		ILLINOIS FED. AID PROJECT						