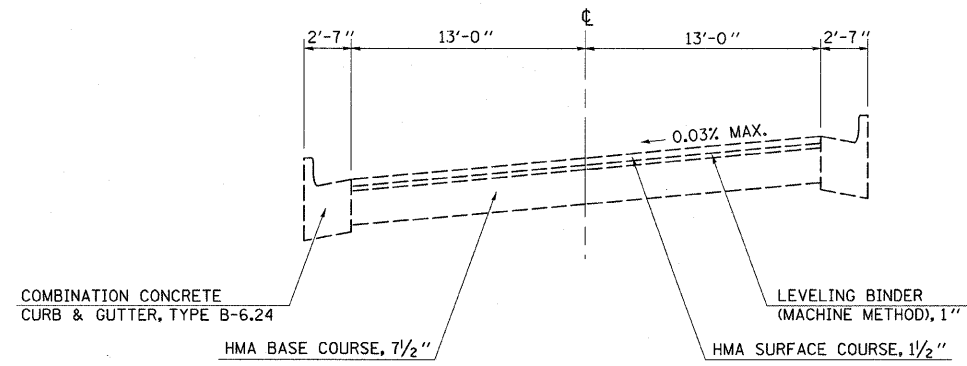


③ EXISTING TYPICAL CROSS SECTION

STA. 903+75.00 TO STA. 908+52.70

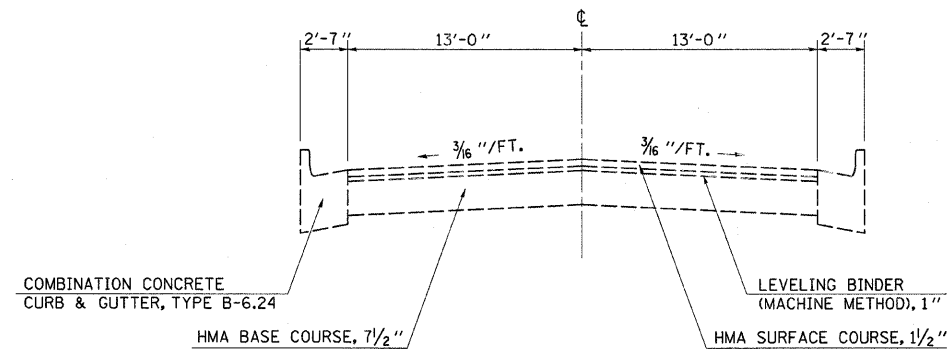


NOT DRAWN TO SCALE

④ EXISTING TYPICAL CROSS SECTION

STA. 908+52.70 TO STA. 910+22.58

BRIDGE OMISSION:
STA. 910+22.58 TO STA. 915+54.42



NOT DRAWN TO SCALE

FILE NAME =	USER NAME = swartzrw	DESIGNED -	REVISED -	STATE OF ILLINOIS DEPARTMENT OF TRANSPORTATION	EXISTING TYPICAL CROSS SECTION			F.A.P. RTE.	SECTION	COUNTY	TOTAL SHEETS	SHEET NO.
ct:\pw_work\pwidot\swartzrw\d0212489\d774500-shr-typical.dgn		DRAWN -	REVISED -		716	(127R,RS-2)(130R-2,RS-1)	MACON	98	7			
PLOT SCALE = 20,000' / 1"		CHECKED -	REVISED -		SCALE: NA SHEET NO. 2 OF 11 SHEETS STA. TO STA.			CONTRACT NO. 74500				
PLOT DATE = 10/13/2011		DATE -	REVISED -		ILLINOIS FED. AID PROJECT							