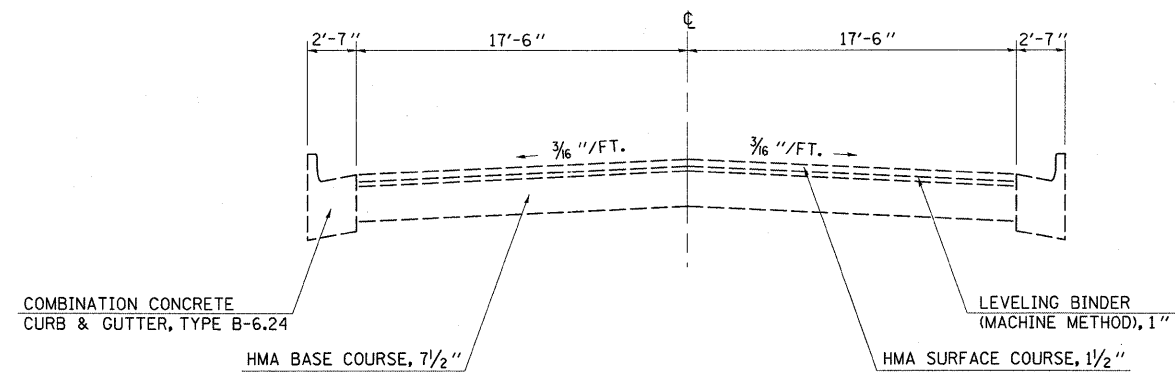


⑤ EXISTING TYPICAL CROSS SECTION

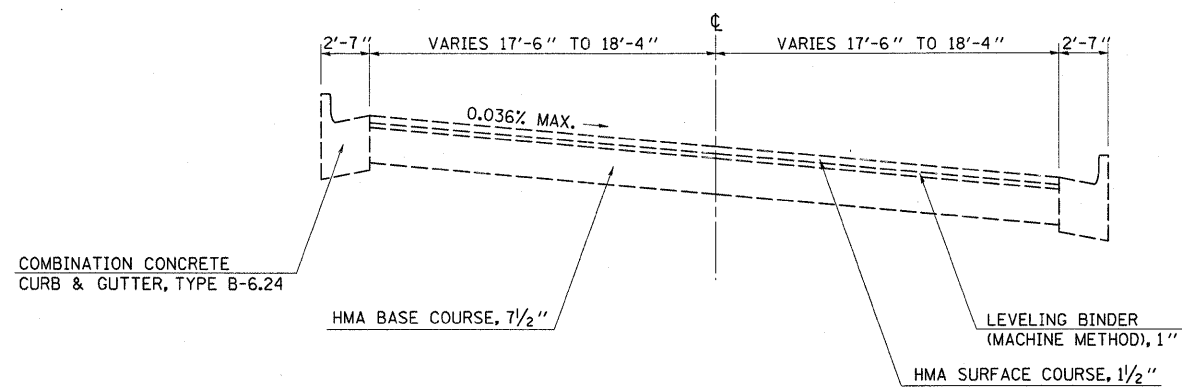
STA. 915+53.92 TO STA. 916+22.96



NOT DRAWN TO SCALE

⑥ EXISTING TYPICAL CROSS SECTION

STA. 916+22.96 TO STA. 920+00.00



NOT DRAWN TO SCALE

FILE NAME =	USER NAME = swartzrw	DESIGNED -	REVISED -	<b>STATE OF ILLINOIS DEPARTMENT OF TRANSPORTATION</b>	<b>EXISTING TYPICAL CROSS SECTION</b>			F.A.P. RTE.	SECTION	COUNTY	TOTAL SHEETS	SHEET NO.
cr\pwork\pwork\swartzrw\d0212489\d77	600-sht-typicals.dgn	DRAWN -	REVISED -		716	(127R,RS-2)(130R-2,RS-1)	MACON	98	8			
PLOT SCALE = 28.0000' / in.	CHECKED -	REVISED -	REVISED -		CONTRACT NO. 74500							
PLOT DATE = 10/13/2011	DATE -	REVISED -	REVISED -		ILLINOIS FED. AID PROJECT							
				SCALE: NA	SHEET NO. 3 OF 11 SHEETS	STA.	TO STA.					