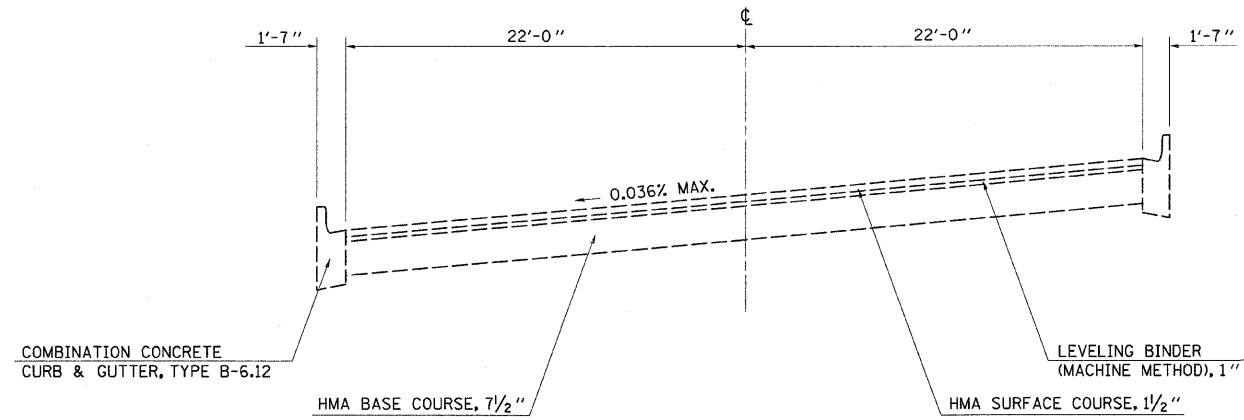


⑨ EXISTING TYPICAL CROSS SECTION

STA. 926+36.00 TO STA. 1+16.53

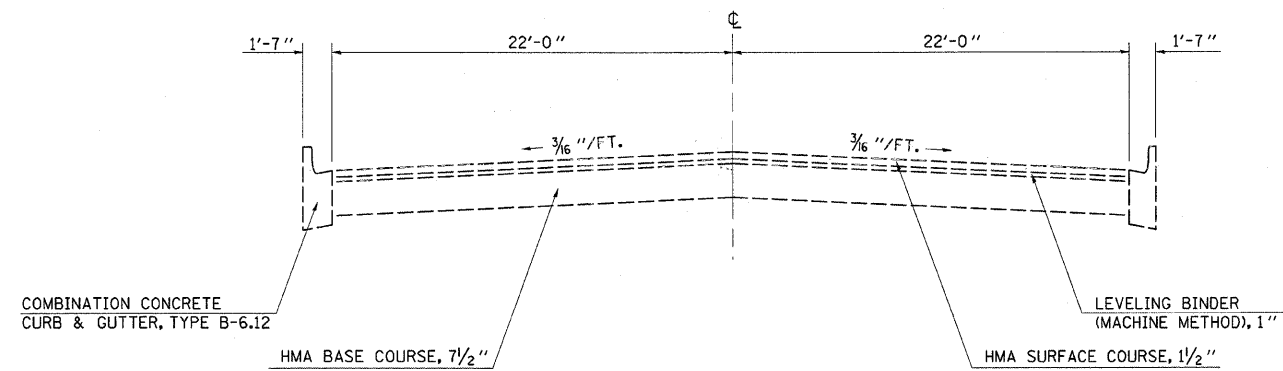
STA. EQUATION:
STA. 927+31.07 (BK) = STA. 0+00.00 (AH)



NOT DRAWN TO SCALE

⑩ EXISTING TYPICAL CROSS SECTION

STA. 1+16.53 TO STA. 6+00.00



NOT DRAWN TO SCALE

FILE NAME =	USER NAME = swartzrw	DESIGNED -	REVISED -	STATE OF ILLINOIS DEPARTMENT OF TRANSPORTATION	EXISTING TYPICAL CROSS SECTION		F.A.P. RTE.	SECTION	COUNTY	TOTAL SHEETS	SHEET NO.	
c:\p\work\p\dot\swartzrw\0212489\d77	600-sh-typical.dgn	DRAWN -	REVISED -		SCALE: NA	SHEET NO. 5 OF 11 SHEETS	STA. TO STA.	716	(127R,RS-2)(130R-2,RS-1)	MACON	98	10
	PLOT SCALE = 20.0000' / 1"	CHECKED -	REVISED -						CONTRACT NO. 74500			
	PLOT DATE = 10/13/2011	DATE -	REVISED -						ILLINOIS FED. AID PROJECT			