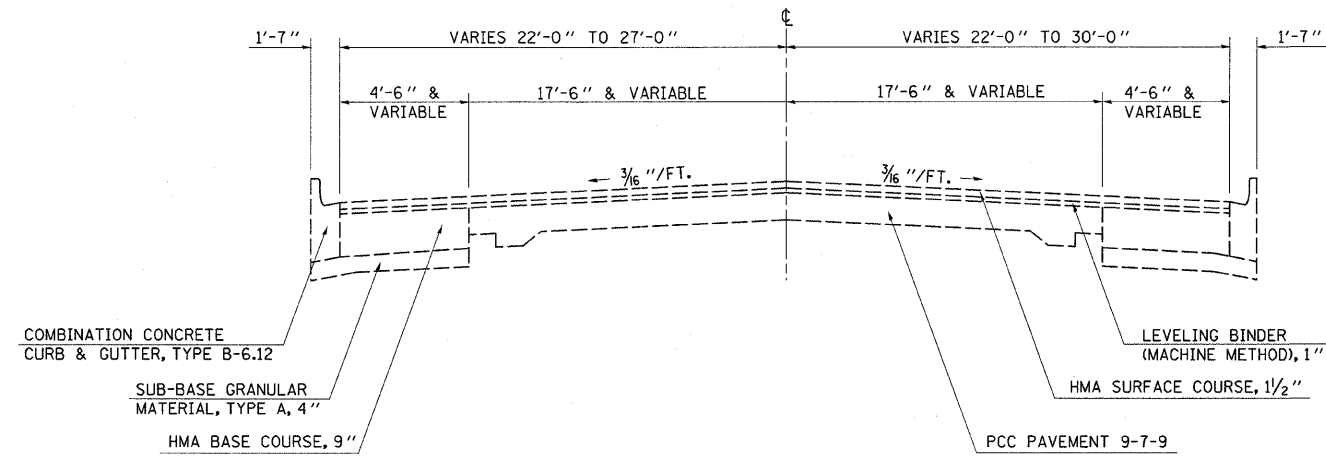


⑪ EXISTING TYPICAL CROSS SECTION

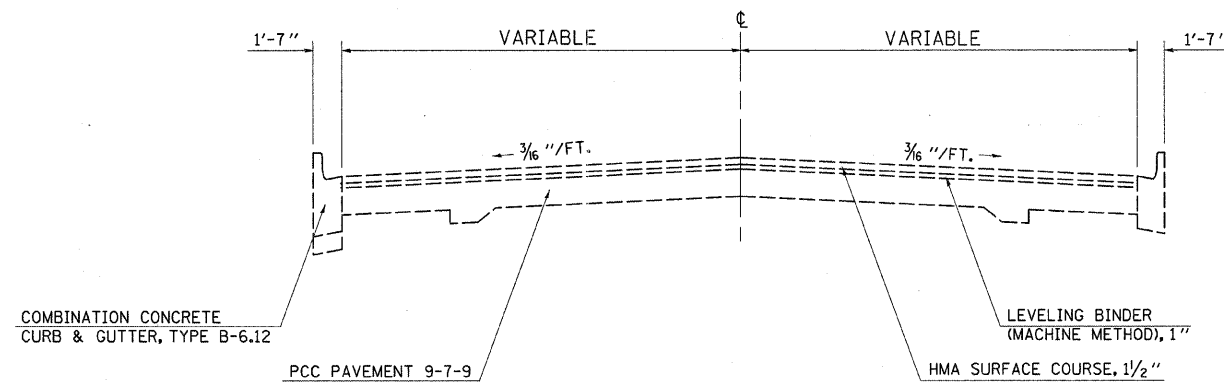
STA. 6+00.00 TO STA. 23+14.00



NOT DRAWN TO SCALE

⑫ EXISTING TYPICAL CROSS SECTION

IL. RTE. 48 & WEST MAIN STREET
STA. 23+14.00 TO STA. 24+95.00



NOT DRAWN TO SCALE

FILE NAME =	USER NAME = swartzrw	DESIGNED -	REVISED -	STATE OF ILLINOIS DEPARTMENT OF TRANSPORTATION	EXISTING TYPICAL CROSS SECTION		F.A.P. RTE.	SECTION	COUNTY	TOTAL SHEETS	SHEET NO.
ca:\pw_work\pwidot\swartzrw\0212489\d77	500-shr-typical.dgn	DRAWN -	REVISED -		716	(12TR,RS-2)(13OR-2,RS-1)	MACON	98	11		
	PLOT SCALE = 20.0000' / 1"	CHECKED -	REVISED -		SCALE: NA SHEET NO. 6 OF 11 SHEETS STA. TO STA.		CONTRACT NO. 74500				
	PLOT DATE = 10/13/2011	DATE -	REVISED -		ILLINOIS FED. AID PROJECT						