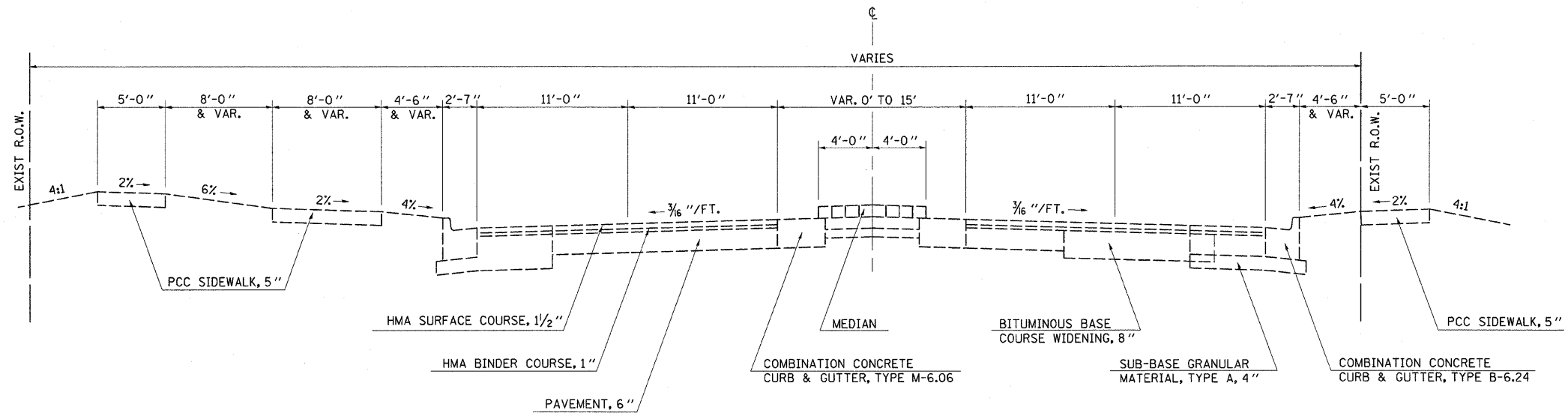


13 EXISTING TYPICAL CROSS SECTION

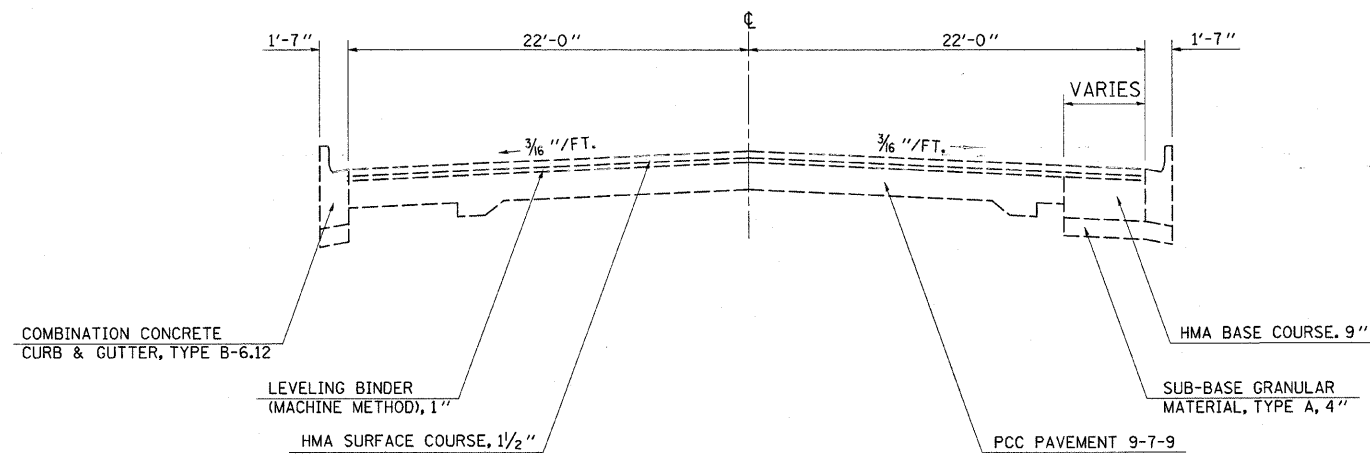
FAIRVIEW AVENUE (IL. RTE. 48)
STA. 24+95.00 TO STA. 32+85.00



NOT DRAWN TO SCALE

14 EXISTING TYPICAL CROSS SECTION

STA. 32+85.00 TO STA. 34+80.00



NOT DRAWN TO SCALE

FILE NAME =	USER NAME = swartzrw	DESIGNED -	REVISED -	STATE OF ILLINOIS DEPARTMENT OF TRANSPORTATION	EXISTING TYPICAL CROSS SECTION			F.A.P. RTE.	SECTION	COUNTY	TOTAL SHEETS	SHEET NO.
ca:\pw_work\pw\dot\swartzrw\d0212489\d77	602-shr-typicals.dgn	DRAWN -	REVISED -		716	(127R,RS-2)(130R-2,RS-1)	MACON	98	12			
	PLOT SCALE = 20,0000 ' / 1"	CHECKED -	REVISED -		CONTRACT NO. 74500			ILLINOIS FED. AID PROJECT				
	PLOT DATE = 10/13/2011	DATE -	REVISED -		SCALE: NA	SHEET NO. 7 OF 11 SHEETS	STA. TO STA.					