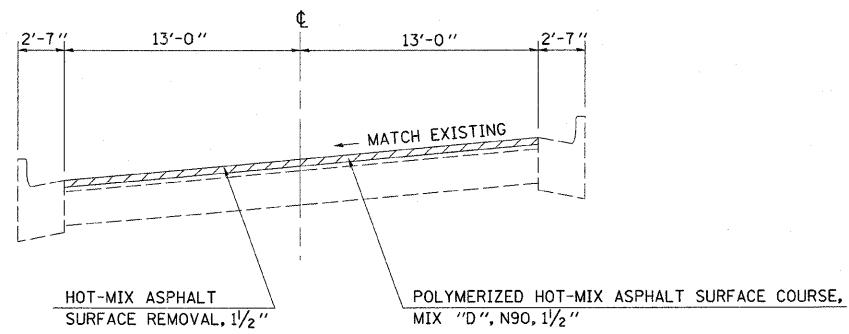



③ PROPOSED TYPICAL CROSS SECTION

STA. 903+75.00 TO STA. 908+52.70



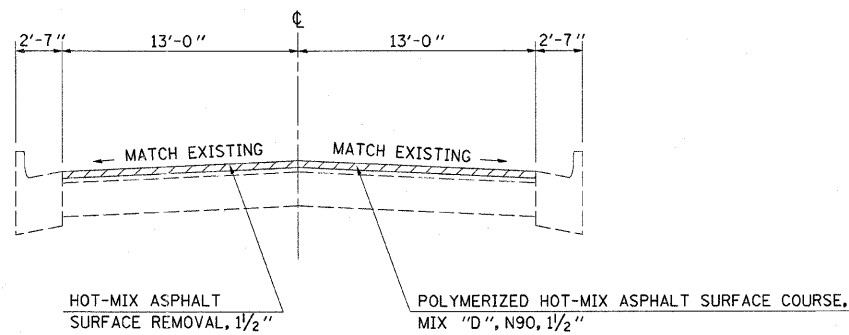
 HOT-MIX ASPHALT SURFACE REMOVAL, 1/2"

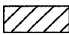
NOT DRAWN TO SCALE

④ PROPOSED TYPICAL CROSS SECTION

STA. 908+52.70 TO STA. 910+22.58

BRIDGE OMISSION:  
STA. 910+22.58 TO STA. 915+54.42



 HOT-MIX ASPHALT SURFACE REMOVAL, 1/2"

NOT DRAWN TO SCALE

FILE NAME =	USER NAME = swartzrw	DESIGNED -	REVISED -	<b>STATE OF ILLINOIS DEPARTMENT OF TRANSPORTATION</b>	<b>PROPOSED TYPICAL CROSS SECTION</b>			F.A.P. RTE.	SECTION	COUNTY	TOTAL SHEETS	SHEET NO.
ca\pw_work\pwidot\swartzrw\d8212489\d77	680-shr-typicals.dgn	DRAWN -	REVISED -		716	(127R,RS-2)(130R-2,RS-1)	MACON	98	18			
	PLOT SCALE = 20.0000' / 1"	CHECKED -	REVISED -		CONTRACT NO. 74500							
	PLOT DATE = 10/13/2011	DATE -	REVISED -		SCALE: NA	SHEET NO. 2 OF 11 SHEETS	STA. TO STA.	ILLINOIS FED. AID PROJECT				