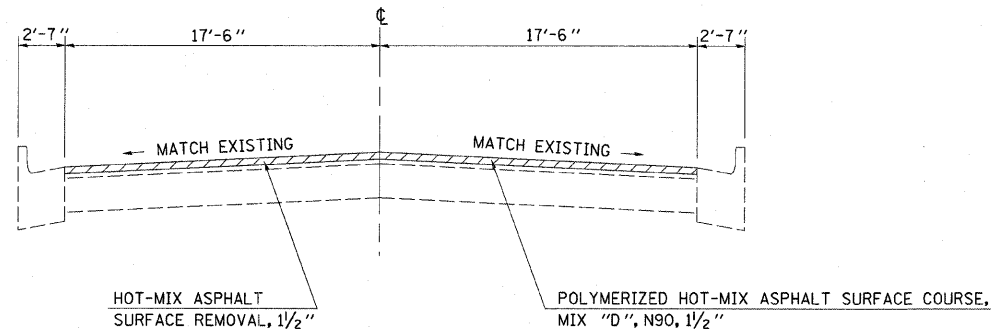



⑤ PROPOSED TYPICAL CROSS SECTION

STA. 915+53.92 TO STA. 916+22.96

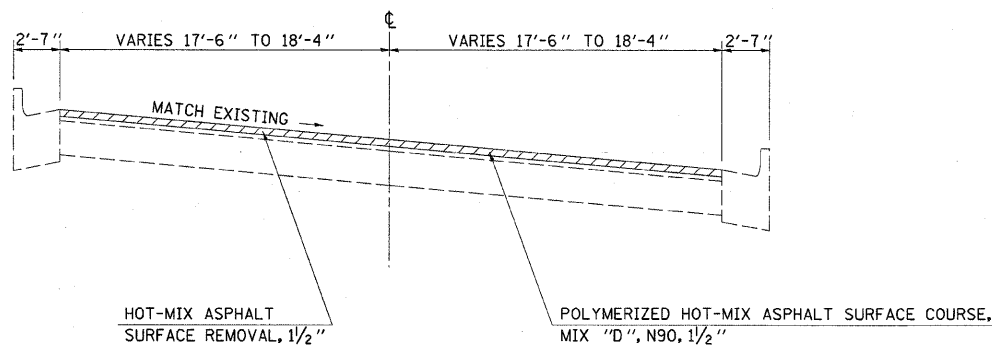


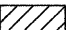
 HOT-MIX ASPHALT SURFACE REMOVAL, 1/2"

NOT DRAWN TO SCALE

⑥ PROPOSED TYPICAL CROSS SECTION

STA. 916+22.96 TO STA. 920+00.00



 HOT-MIX ASPHALT SURFACE REMOVAL, 1/2"

NOT DRAWN TO SCALE

FILE NAME =	USER NAME = swartzw	DESIGNED -	REVISED -	<b>STATE OF ILLINOIS DEPARTMENT OF TRANSPORTATION</b>	<b>PROPOSED TYPICAL CROSS SECTION</b>		F.A.P. RTE.	SECTION	COUNTY	TOTAL SHEETS	SHEET NO.	
ct:\pw_work\pwwork\swartzw\02212489\077	500-shr-typicals.dgn	DRAWN -	REVISED -		SCALE: NA	SHEET NO. 3 OF 11 SHEETS	STA. TO STA.	716	(127R,RS-2)(130R-2,RS-1)	MACON	98	19
	PLOT SCALE = 20.0000' / 1/4"	CHECKED -	REVISED -					CONTRACT NO. 74500		ILLINOIS FED. AID PROJECT		
	PLOT DATE = 10/13/2011	DATE -	REVISED -									