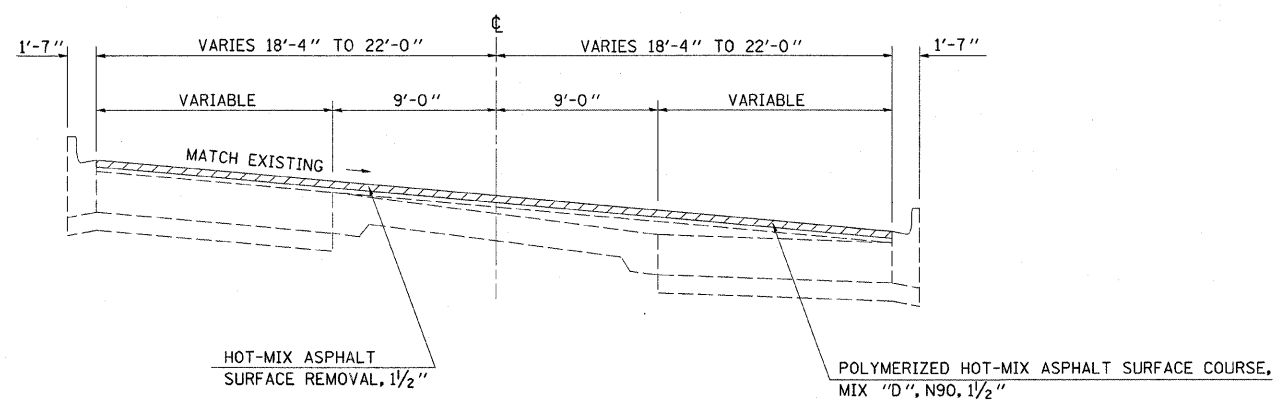
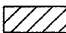


⑦ PROPOSED TYPICAL CROSS SECTION

STA. 920+00.00 TO STA. 924+33.32

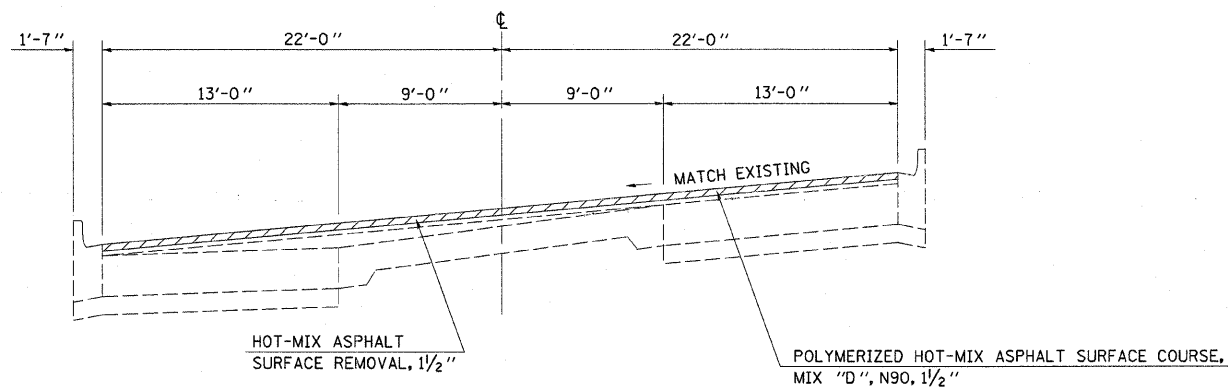



 HOT-MIX ASPHALT SURFACE REMOVAL, 1/2"

NOT DRAWN TO SCALE

⑧ PROPOSED TYPICAL CROSS SECTION

STA. 924+33.32 TO STA. 926+36.00



 HOT-MIX ASPHALT SURFACE REMOVAL, 1/2"

NOT DRAWN TO SCALE

FILE NAME =	USER NAME = swartzm	DESIGNED -	REVISED -	STATE OF ILLINOIS DEPARTMENT OF TRANSPORTATION	PROPOSED TYPICAL CROSS SECTION		F.A.P. RTE.	SECTION	COUNTY	TOTAL SHEETS	SHEET NO.	
ca\pw_work\pwork\swartzm\d0212489\d774	500-shr-typicoils.dgn	DRAWN -	REVISED -		SCALE: NA	SHEET NO. 4 OF 11 SHEETS	STA. TO STA.	716	(127R,RS-2)(130R-2,RS-1)	MACON	98	20
	PLOT SCALE = 20.0000' / in.	CHECKED -	REVISED -							CONTRACT NO. 74500		
	PLOT DATE = 10/13/2011	DATE -	REVISED -					ILLINOIS FED. AID PROJECT				