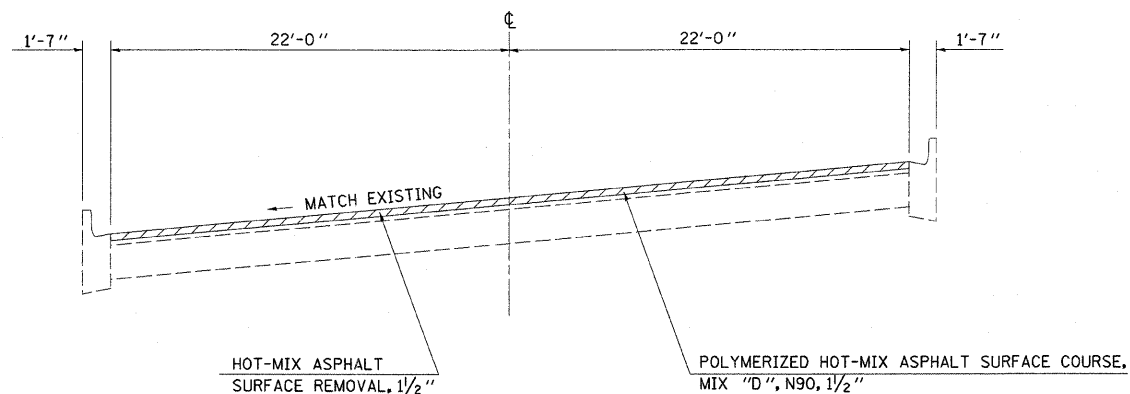



⑨ PROPOSED TYPICAL CROSS SECTION

STA. 926+36.00 TO STA. 1+16.53

STA. EQUATION:
STA. 927+31.07 (BK) = STA. 0+00.00 (AH)

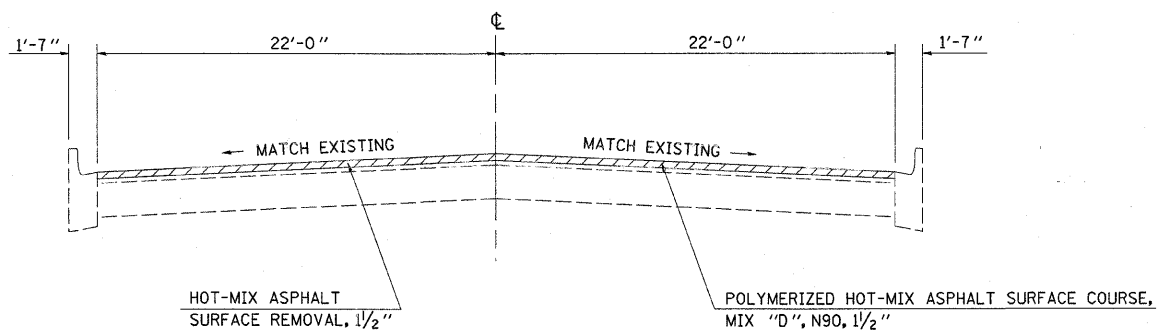


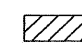
 HOT-MIX ASPHALT SURFACE REMOVAL, 1/2"

NOT DRAWN TO SCALE

⑩ PROPOSED TYPICAL CROSS SECTION

STA. 1+16.53 TO STA. 6+00.00



 HOT-MIX ASPHALT SURFACE REMOVAL, 1/2"

NOT DRAWN TO SCALE

FILE NAME =	USER NAME = swartzw	DESIGNED -	REVISED -	STATE OF ILLINOIS DEPARTMENT OF TRANSPORTATION	PROPOSED TYPICAL CROSS SECTION		F.A.P. RTE.	SECTION	COUNTY	TOTAL SHEETS	SHEET NO.
ca:\pw_work\p\idot\swartzw\0212489\d774	500-sh-typical.dgn	DRAWN -	REVISED -		716	(127R,RS-2)(130R-2,RS-1)	MACON	98	21		
	PLOT SCALE = 20,0000' / 1" =	CHECKED -	REVISED -		SCALE: NA SHEET NO. 5 OF 11 SHEETS STA. TO STA.			CONTRACT NO. 74500			
	PLOT DATE = 10/13/2011	DATE -	REVISED -		ILLINOIS FED. AID PROJECT						