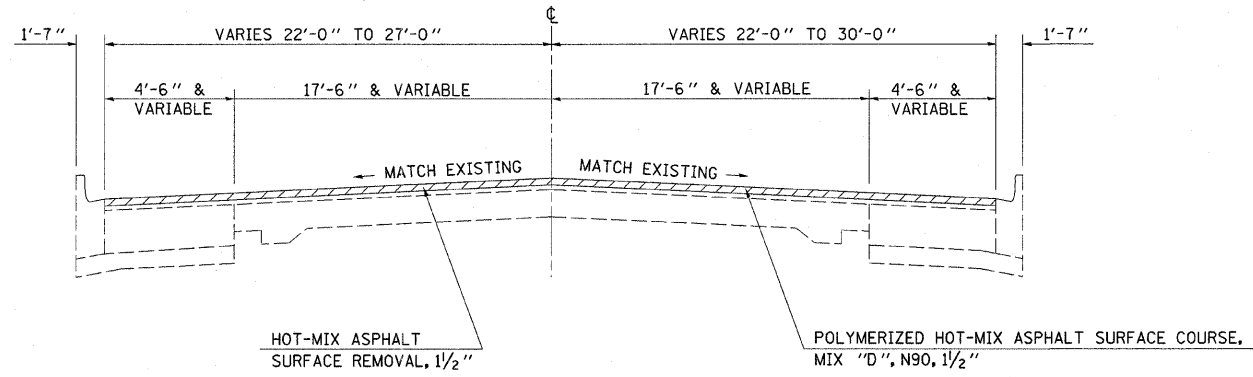



11 PROPOSED TYPICAL CROSS SECTION

STA. 6+00.00 TO STA. 23+14.00

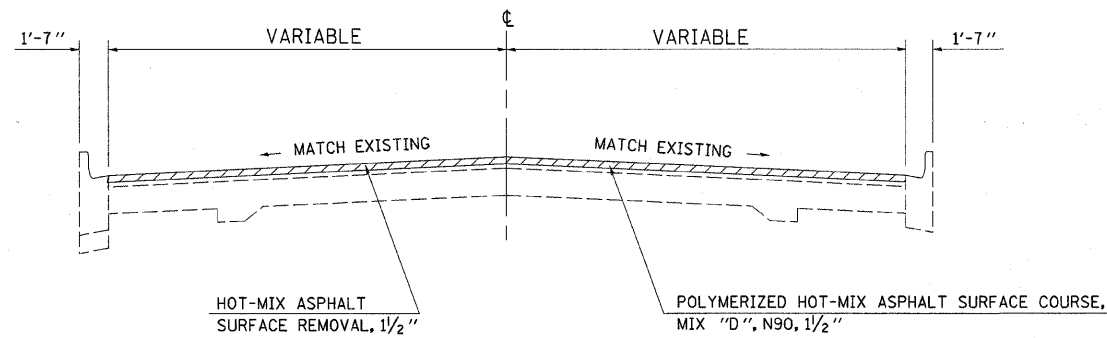


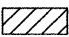
 HOT-MIX ASPHALT SURFACE REMOVAL, 1/2"

NOT DRAWN TO SCALE

12 PROPOSED TYPICAL CROSS SECTION

IL. RTE. 48 & WEST MAIN STREET
STA. 23+14.00 TO STA. 24+95.00



 HOT-MIX ASPHALT SURFACE REMOVAL, 1/2"

NOT DRAWN TO SCALE

FILE NAME =	USER NAME = swartzw	DESIGNED -	REVISED -	STATE OF ILLINOIS DEPARTMENT OF TRANSPORTATION	PROPOSED TYPICAL CROSS SECTION			F.A.P. RTE.	SECTION	COUNTY	TOTAL SHEETS	SHEET NO.
ca:\pwwork\pwidat\swartzw\d0212489\d77	500-sh-t-typical.dgn	DRAWN -	REVISED -		SCALE: NA	SHEET NO. 6 OF 11 SHEETS	STA. TO STA.	716	(127R,RS-2)(130R-2,RS-1)	MACON	98	22
	PLOT SCALE = 28.0000' / in.	CHECKED -	REVISED -					CONTRACT NO. 74500				
	PLOT DATE = 10/13/2011	DATE -	REVISED -					ILLINOIS FED. AID PROJECT				