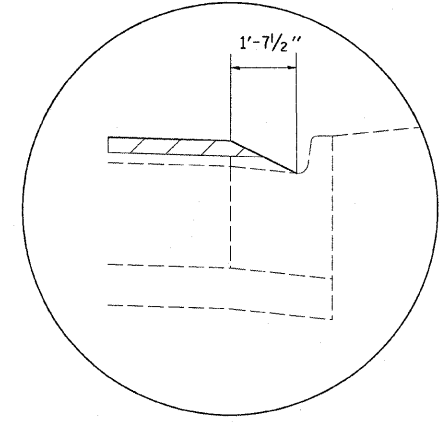
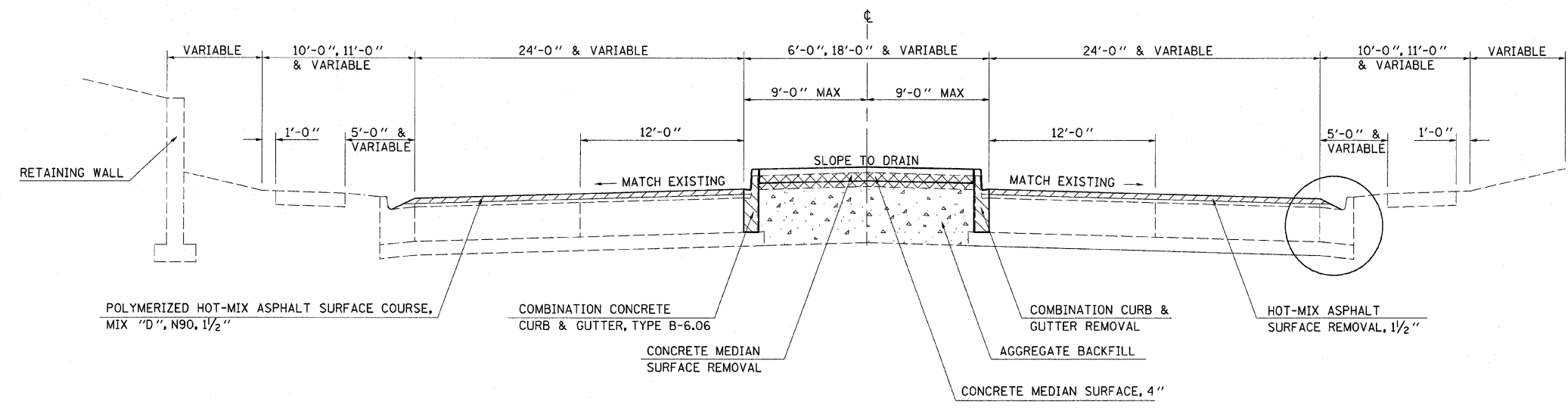


21 PROPOSED TYPICAL CROSS SECTION

S.B.I. ROUTE 48
STA. 54+27.50 TO STA. 59+87.00

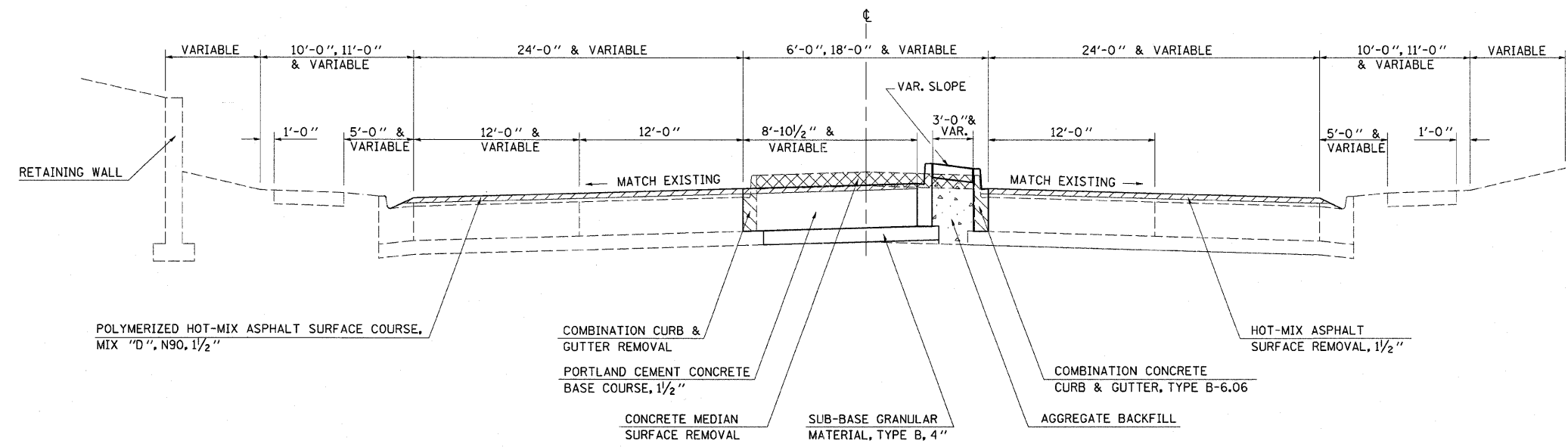


- COMBINATION CURB & GUTTER REMOVAL
- CONCRETE MEDIAN SURFACE REMOVAL
- HOT-MIX ASPHALT SURFACE REMOVAL, 1/2"

NOT DRAWN TO SCALE

22 PROPOSED TYPICAL CROSS SECTION

S.B.I. ROUTE 48
STA. 54+75.77 TO STA. 57+17.21



- COMBINATION CURB & GUTTER REMOVAL
- CONCRETE MEDIAN SURFACE REMOVAL
- HOT-MIX ASPHALT SURFACE REMOVAL, 1/2"

NOT DRAWN TO SCALE

FILE NAME =	USER NAME = swartzw	DESIGNED -	REVISED -	STATE OF ILLINOIS DEPARTMENT OF TRANSPORTATION	PROPOSED TYPICAL CROSS SECTION			F.A.P. RTE.	SECTION	COUNTY	TOTAL SHEETS	SHEET NO.	
c:\pw_work\pw\dot\swartzw\d0212489\d774	500-shr-typicals.dgn	DRAWN -	REVISED -		SCALE: NA	SHEET NO. 11 OF 11 SHEETS	STA. TO STA.	716	(127R,RS-2)(130R-2,RS-1)	MACON	98	27	
	PLOT SCALE = 20.0000' / 1"	CHECKED -	REVISED -										
	PLOT DATE = 10/13/2011	DATE -	REVISED -										
ILLINOIS FED. AID PROJECT													