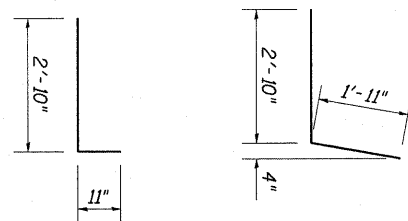


Bar c(E)

Bar d(E)

Bar d1(E)



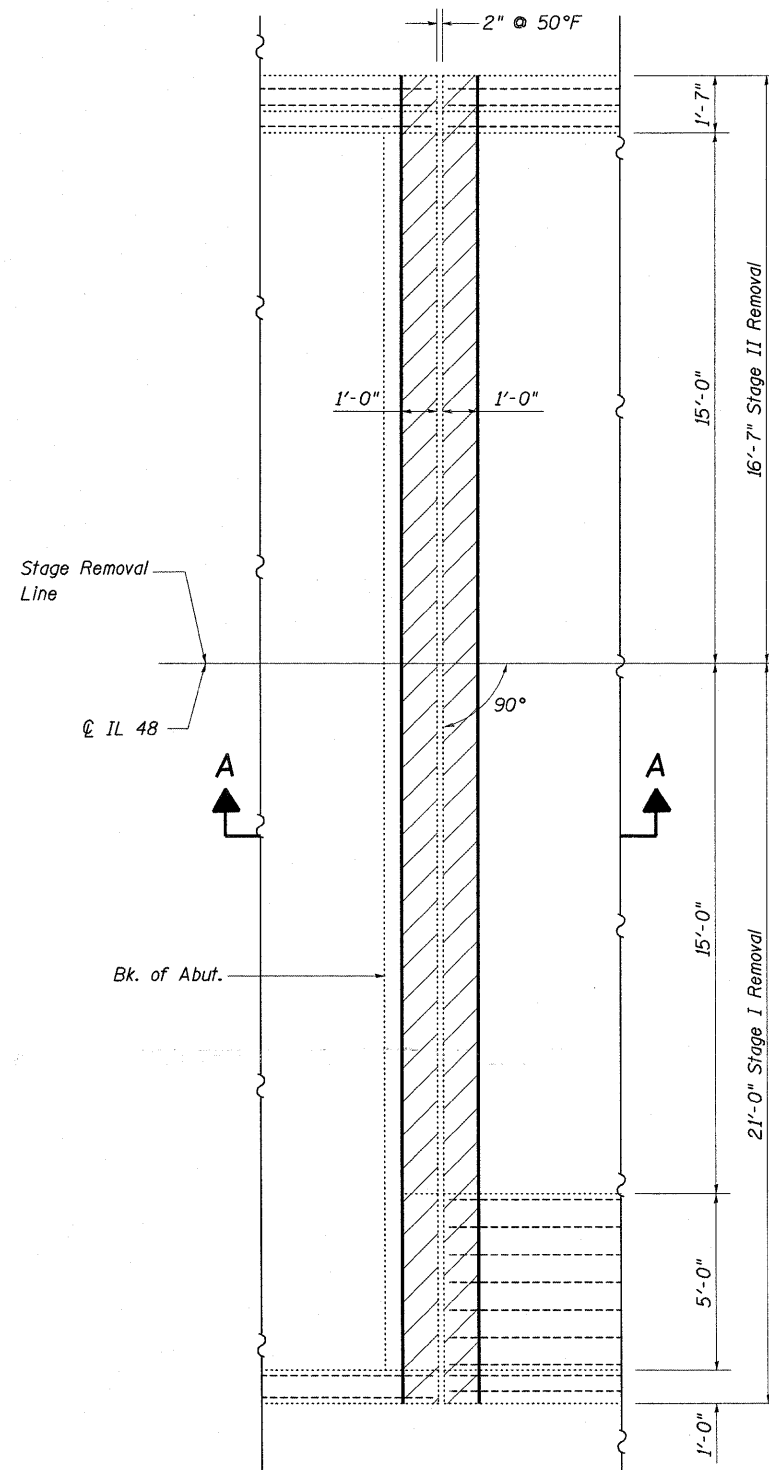
Bar d3(E)

Bar d4(E)

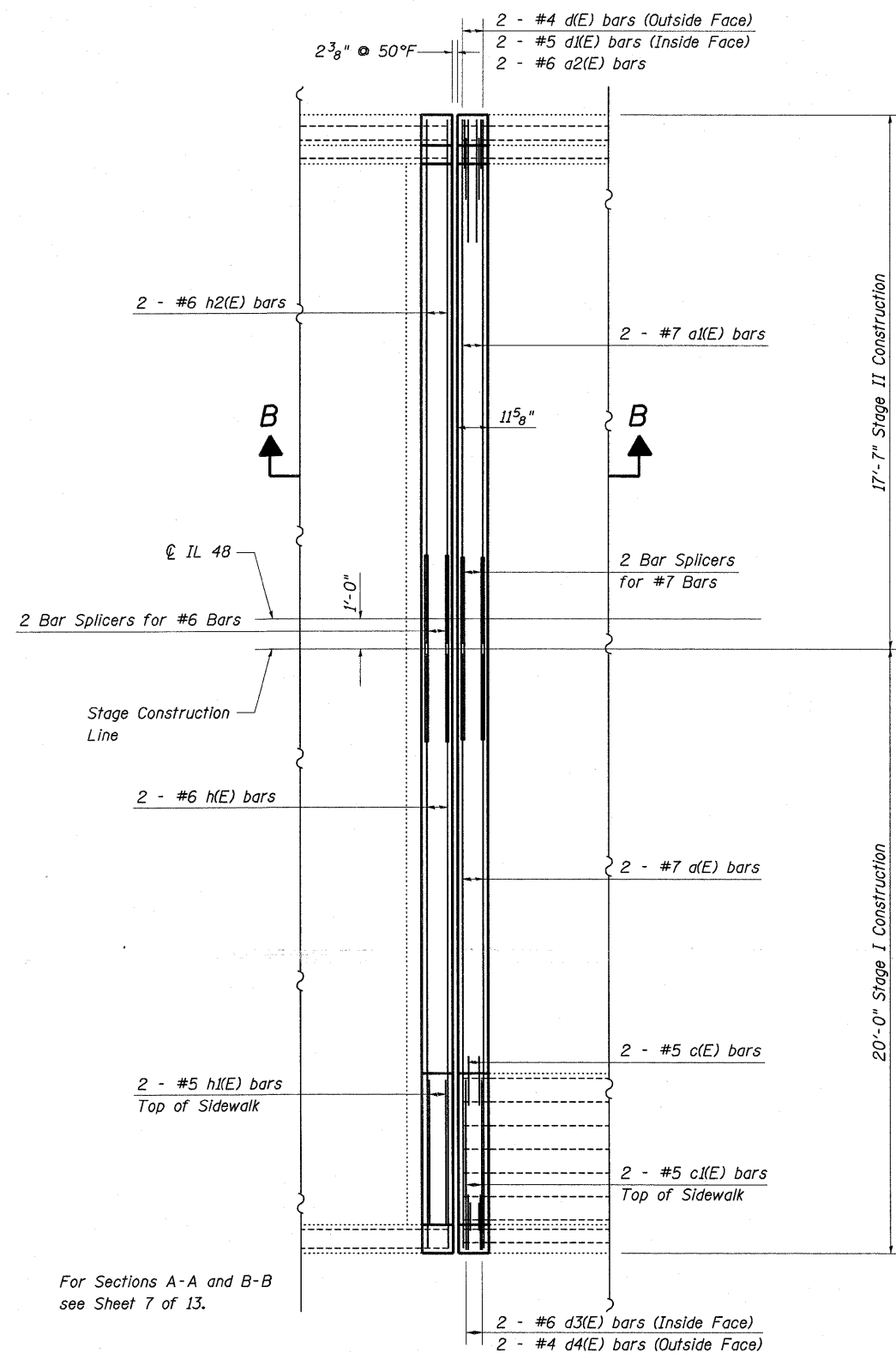
**BILL OF MATERIAL**

BAR	NUMBER OF BARS		TOTAL	SIZE	LENGTH	SHAPE
	STAGE I	STAGE II				
a (E)	2		2	#7	19'-6"	—
a1(E)		2	2	#7	17'-0"	—
a2(E)		2	2	#6	4'-0"	—
c (E)	2		2	#5	2'-5"	L
c1(E)	2		2	#5	5'-8"	—
d (E)		2	2	#4	5'-1"	L
d1(E)		2	2	#5	4'-0"	—
d3(E)	2		2	#6	3'-9"	L
d4(E)	2		2	#4	4'-9"	L
h (E)	2		2	#6	18'-9"	—
h1(E)	2		2	#5	4'-9"	—
h2(E)		2	2	#6	15'-9"	—
REINFORCEMENT BARS (EPOXY COATED)					POUND	320
CONCRETE REMOVAL					CU YD	2.3
CONCRETE SUPERSTRUCTURE					CU YD	2.3

Hatching indicates removal.



**EXISTING PARTIAL PLAN**



**PROPOSED PARTIAL PLAN**

FILE NAME =	USER NAME = swartzw	DESIGNED - KLB	REVISED -
c:\pwork\pwork\swartzw\d0212489\d077	500-sht-brd-deta11s-0590037.dgn	DRAWN - KLB	REVISED -
	PLOT SCALE = 20.0000' / in.	CHECKED - MEA	REVISED -
	PLOT DATE = 10/13/2011	DATE - 08/16/11	REVISED -

**STATE OF ILLINOIS  
DEPARTMENT OF TRANSPORTATION**

<b>EXPANSION JOINT REPLACEMENT DETAILS</b>		F.A.P. RTE. 716	SECTION *	COUNTY Macon	TOTAL SHEETS 98	SHEET NO. 82
<b>SOUTH ABUTMENT - SN. 058-0037</b>		SCALE: NA		SHEET NO. 3 OF 13 SHEETS		STA. TO STA.

ILLINOIS FED. AID PROJECT		CONTRACT NO. 74500	
---------------------------	--	--------------------	--

\*(127R,RS-2)(130R-2,RS-1)