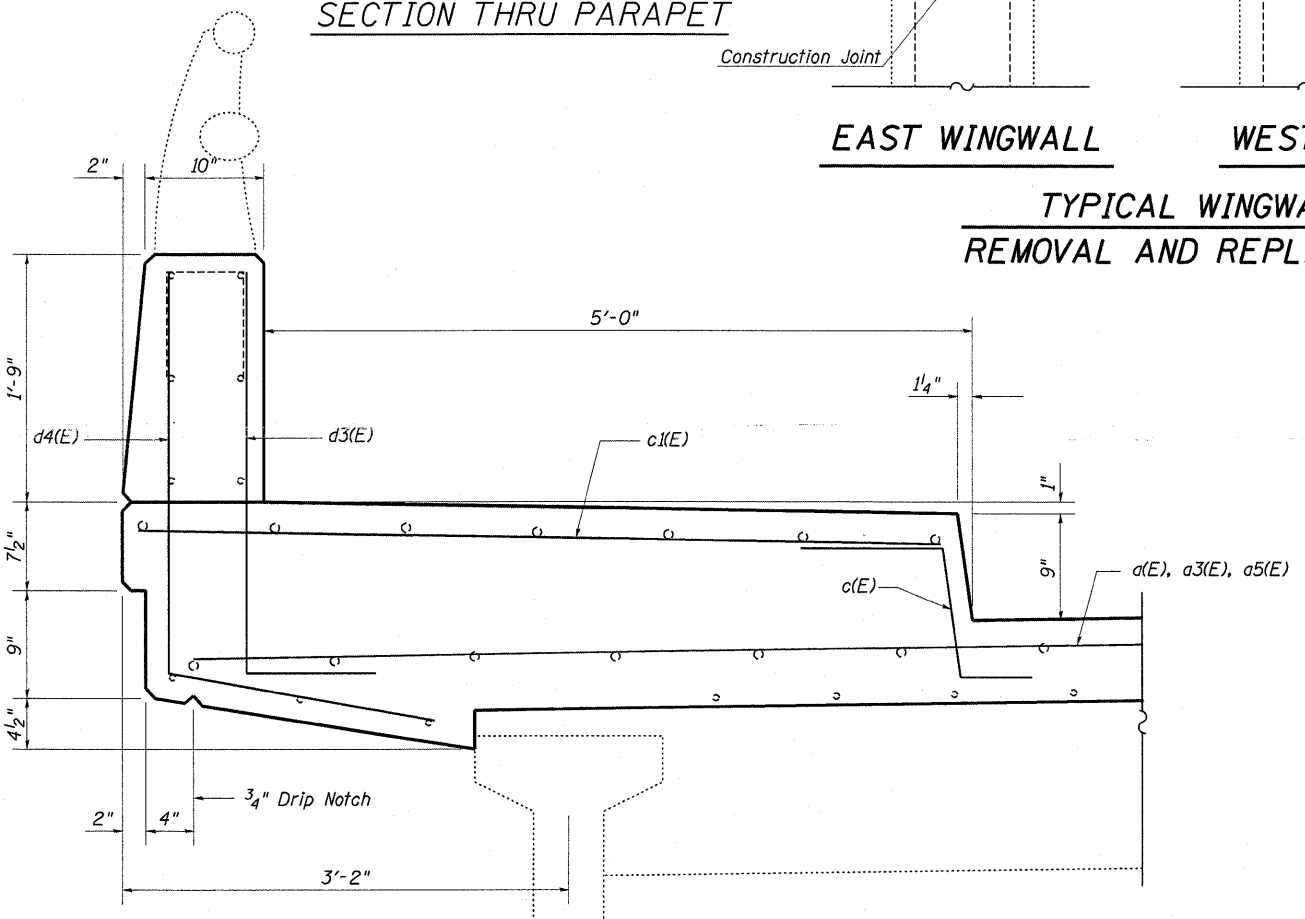


SECTION THRU PARAPET

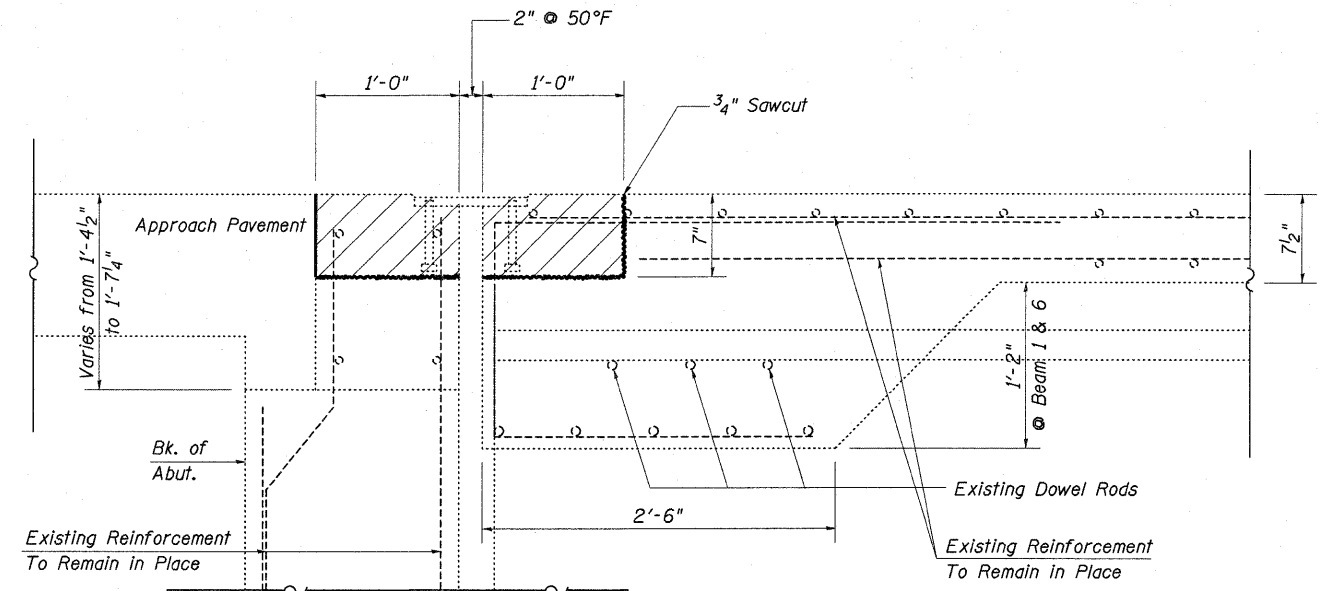
EAST WINGWALL

WEST WINGWALL

**TYPICAL WINGWALL
REMOVAL AND REPLACEMENT**



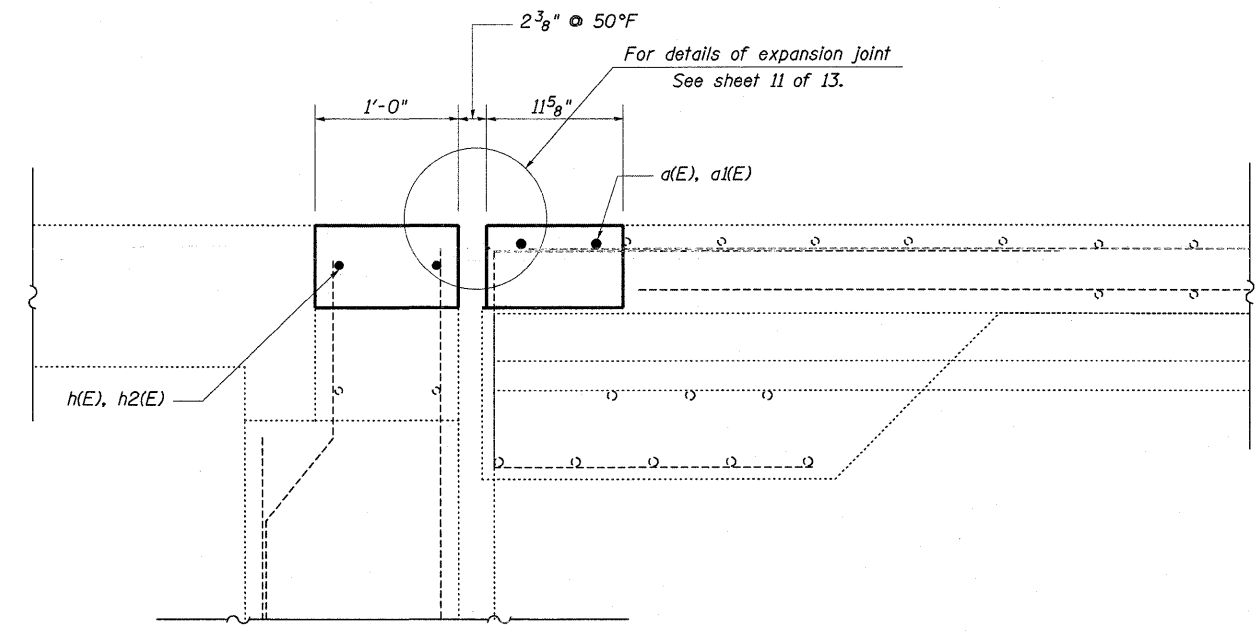
SECTION THRU SAFETY WALK



SECTION A-A
(Dimensions at Rt. L's to end of deck)

Note: The Contractor shall use extreme care during concrete removal so as not to damage the PPC I-beam. Any damage is to be repaired by the Contractor at his own expense.

- Existing Reinforcement
- Proposed Reinforcement



SECTION B-B
(Dimensions at Rt. L's to end of deck)

FILE NAME =	USER NAME = swartzrw	DESIGNED - KLB	REVISED -
ct:\px_work\p\idot\swartzrw\d0212489\077	500-sht-brdetails-0580037.dgn	DRAWN - KLB	REVISED -
PLOT SCALE = 20.0000 * / in.		CHECKED - MEA	REVISED -
PLOT DATE = 10/13/2011		DATE - 08/16/11	REVISED -

**STATE OF ILLINOIS
DEPARTMENT OF TRANSPORTATION**

**EXPANSION JOINT REPLACEMENT DETAILS
SN. 058-0037**

SCALE: NA SHEET NO. 7 OF 13 SHEETS STA. TO STA.

F.A.P. RTE. 716	SECTION	COUNTY Macon	TOTAL SHEETS 98	SHEET NO. 86
ILLINOIS FED. AID PROJECT			CONTRACT NO. 74500	

*127R,RS-2(130R-2,RS-1)