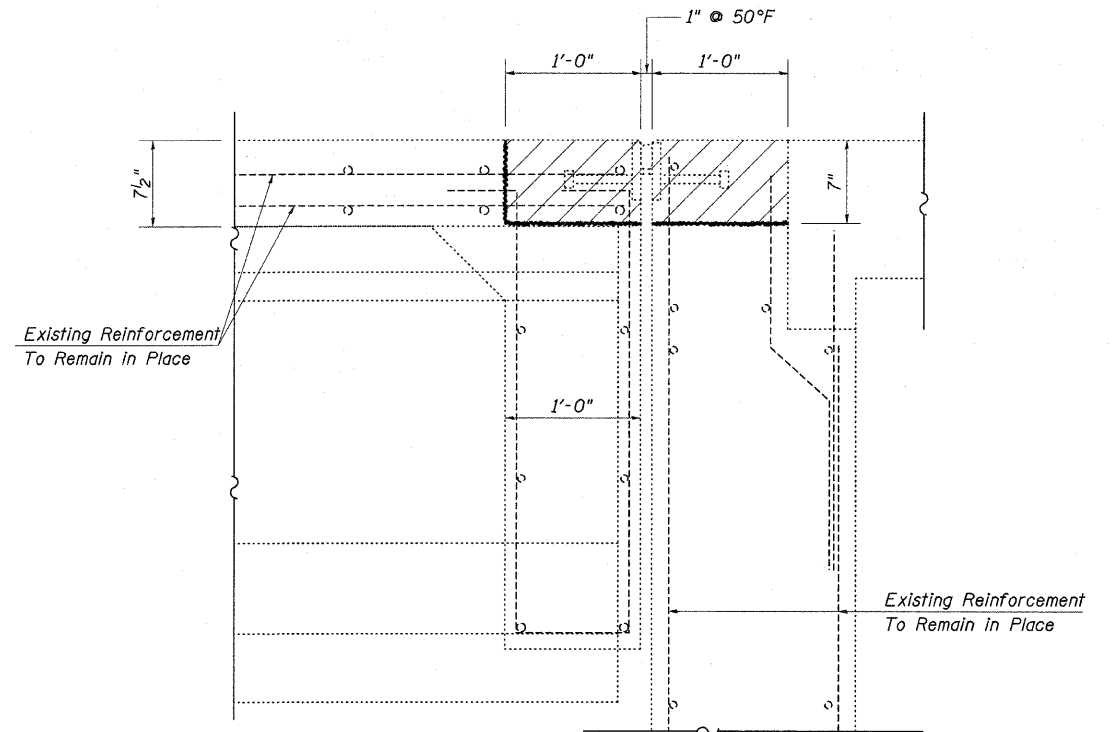
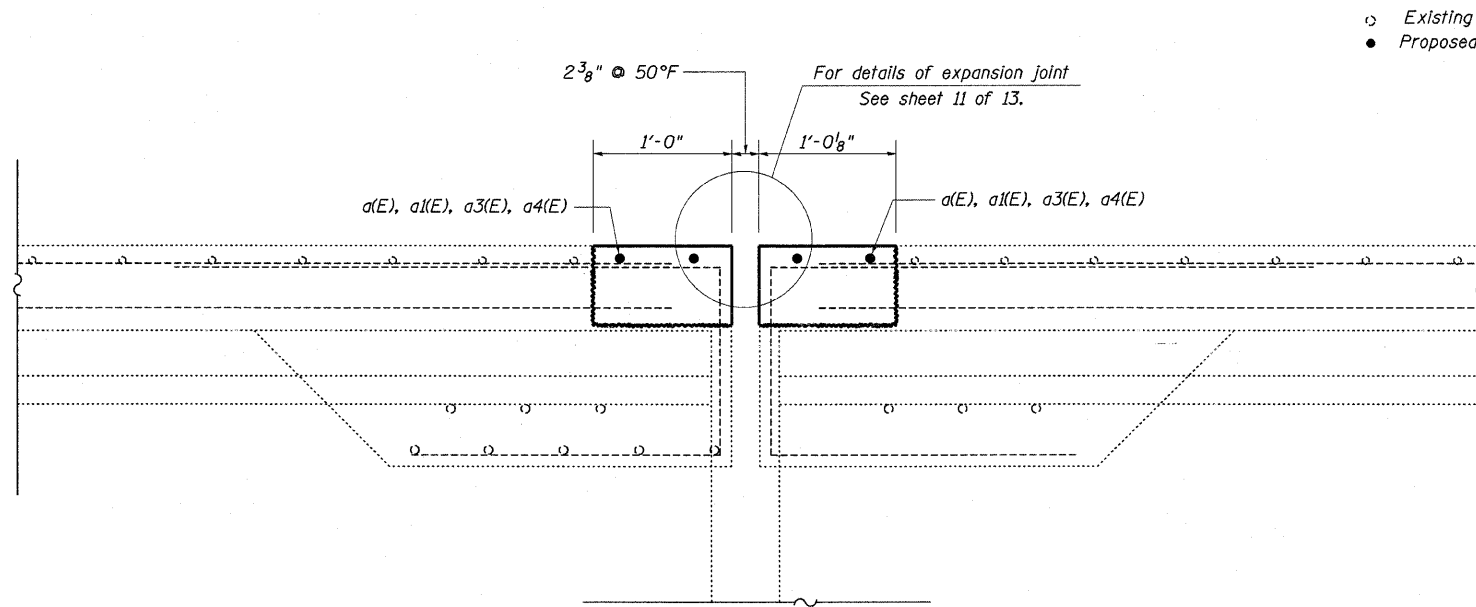


SECTION C-C
(Dimensions at Rt. L's to end of deck)

Note: The Contractor shall use extreme care during concrete removal so as not to damage the PPC I-beam. Any damage is to be repaired by the Contractor at his own expense.

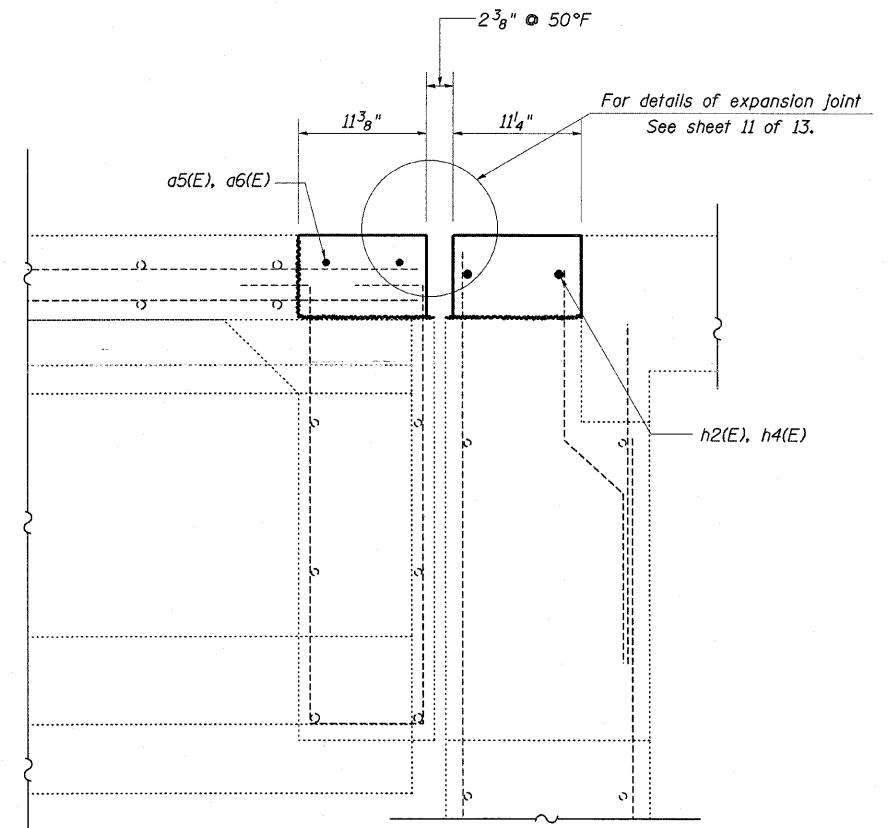


SECTION E-E
(Dimensions at Rt. L's to end of deck)



SECTION D-D
(Dimensions at Rt. L's to end of deck)

○ Existing Reinforcement
● Proposed Reinforcement



SECTION F-F
(Dimensions at Rt. L's to end of deck)

FILE NAME =	USER NAME = swartzw	DESIGNED - KLB	REVISED -	STATE OF ILLINOIS DEPARTMENT OF TRANSPORTATION	EXPANSION JOINT REPLACEMENT DETAILS SN. 058-0037		F.A.P. RTE.	SECTION	COUNTY	TOTAL SHEETS	SHEET NO.	
ca:\pw_work\pwidot\swartzw\d0212489\0774502-shr-birdetails-0580037.dgn		DRAWN - KLB	REVISED -		SCALE: NA	SHEET NO. 8 OF 13 SHEETS	STA.	716	•	Macon	98	87
PLOT SCALE = 20.0000' / in.		CHECKED - MEA	REVISED -				TO STA.					
PLOT DATE = 10/13/2011		DATE - 08/16/11	REVISED -									
							ILLINOIS FED. AID PROJECT		CONTRACT NO. 74500			