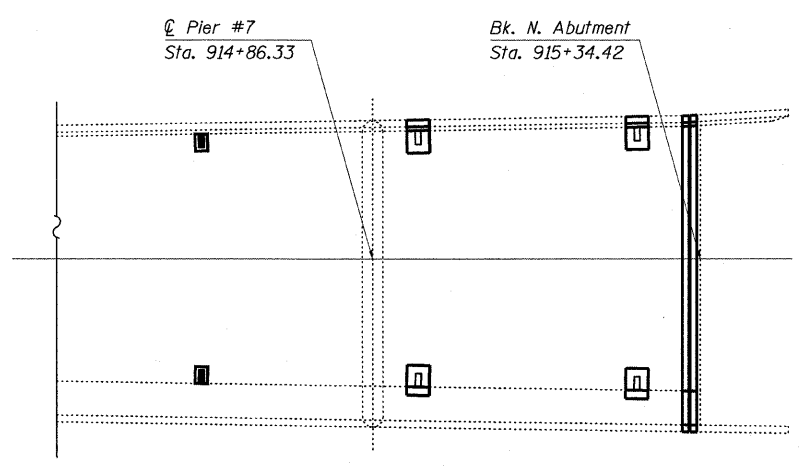
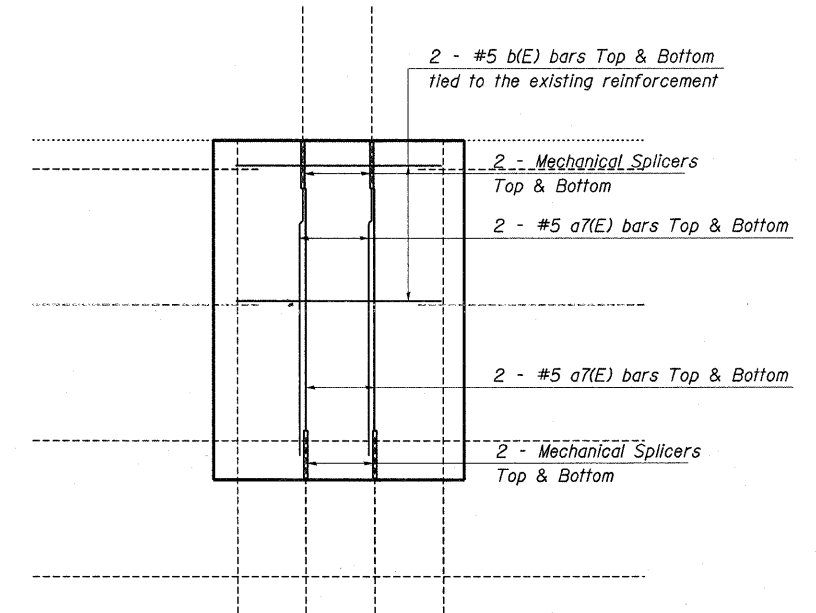
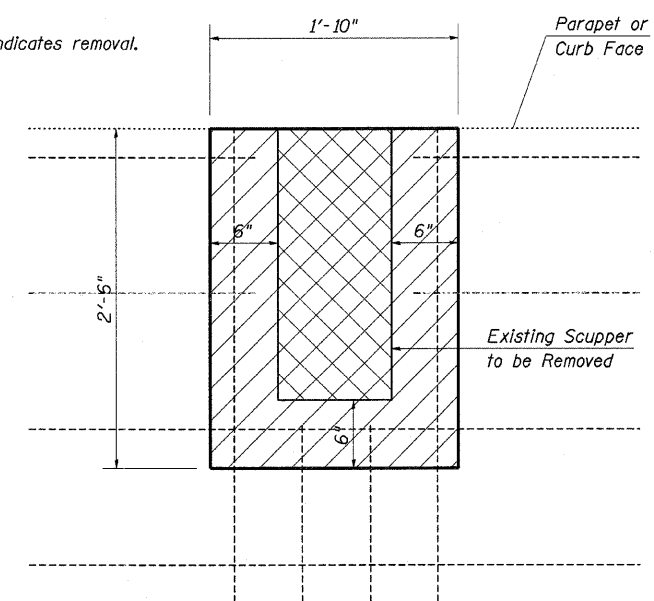


- Existing Drainage Scupper to be Removed = 16.0 Ea.
- Existing Drainage Scupper to be Replaced = 12.0 Ea.  
For details of Scupper Replacement see Sheet 10 of 14.



Hatching indicates removal.



**BILL OF MATERIAL**  
PER SCUPPER REMOVAL LOCATION

BAR	TOTAL	SIZE	LENGTH	SHAPE
a7(E)	8	#5	2'-0"	—
b (E)	4	#5	1'-6"	—
REINF. BARS (EP. COATED)		POUND		30
CONCRETE REMOVAL		CU YD		0.11
CONC. SUPERSTRUCTURE		CU YD		0.11

**EXISTING PLAN  
SCUPPER REMOVAL LOCATIONS**

**PROPOSED PLAN  
SCUPPER REMOVAL LOCATIONS**

Cost of removing existing scupper is included with CONCRETE REMOVAL.