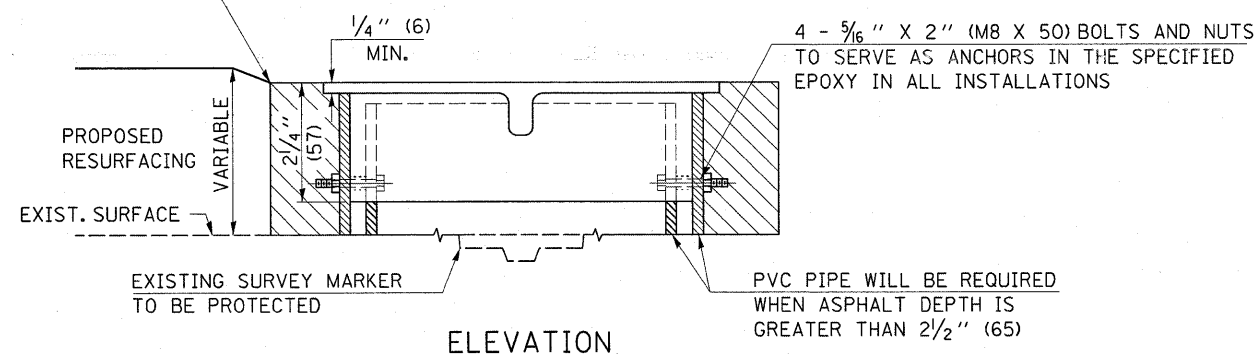
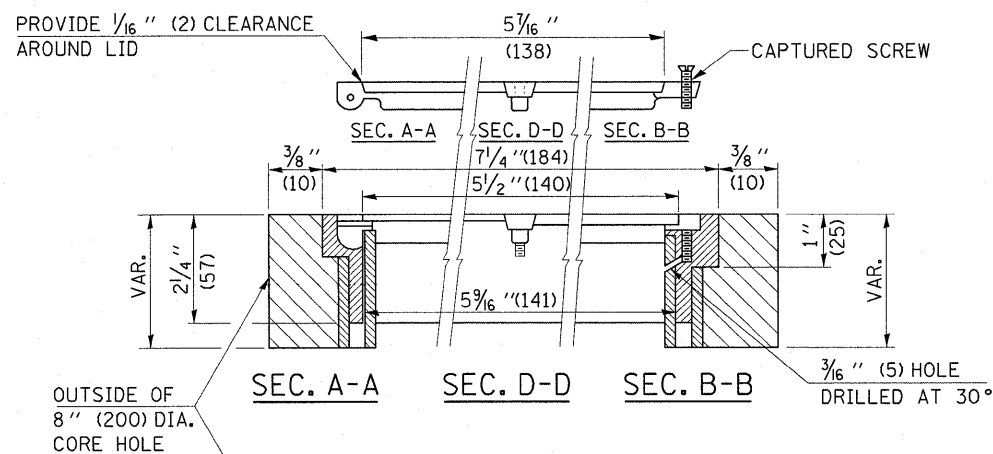
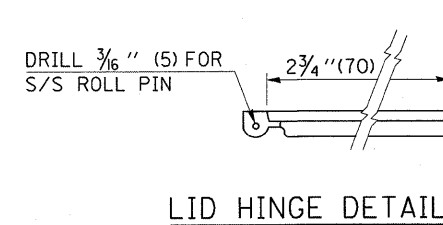
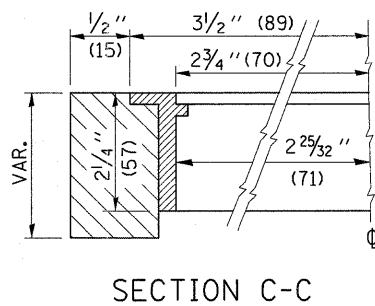


- LEGEND**
- ALUMINUM CASTING
 - 5" (125) OR 6" (150) P.V.C. PIPE
 - TWO-COMPONENT EPOXY
- T = THICKNESS OF PAVEMENT STRUCTURE
- H = THE THICKNESS OF THE SUB-BASE GRANULAR + 1" (25)

BILL OF MATERIAL	
ALUMINUM CASTING OF THE DIMENSIONS AND SPECIFICATIONS SHOWN OR OTHER SUBJECT TO ENGINEER'S APPROVAL OF SHOP DRAWINGS, 4 EACH - 3/16" X 2" (M8 X 50) BOLTS WITH NUTS, EPOXY, 5" OR 6" (125 mm OR 150 mm) DIAMETER P.V.C. PIPE, SCHEDULE 40 (WHEN REQUIRED).	



EXISTING SURVEY MARKER

PROPOSED SURVEY MARKER

NOT TO SCALE
 Note: All dimensions are in INCHES (millimeters) unless otherwise shown.

DISTRICT 7 DETAIL NO. Z0070202

FILE NAME =	USER NAME = swartzrw	DESIGNED -	REVISED - MAD 6-11
ct:\pw\work\pww\dot\swartzrw\d212489\d77	500-sht-details.dgn	DRAWN -	REVISED -
	PLOT SCALE = 50.0000' / 1"	CHECKED -	REVISED -
	PLOT DATE = 10/13/2011	DATE -	REVISED -

**STATE OF ILLINOIS
 DEPARTMENT OF TRANSPORTATION**

SURVEY MARKER VAULT

SCALE: NA SHEET NO. 1 OF 1 SHEETS STA. TO STA.

F.A.P. RTE.	SECTION	COUNTY	TOTAL SHEETS	SHEET NO.
716	(127R,RS-2)(130R-2,RS-1)	MACON	98	98
FED. ROAD DIST. NO. [ILLINOIS] FED. AID PROJECT			CONTRACT NO. 74500	