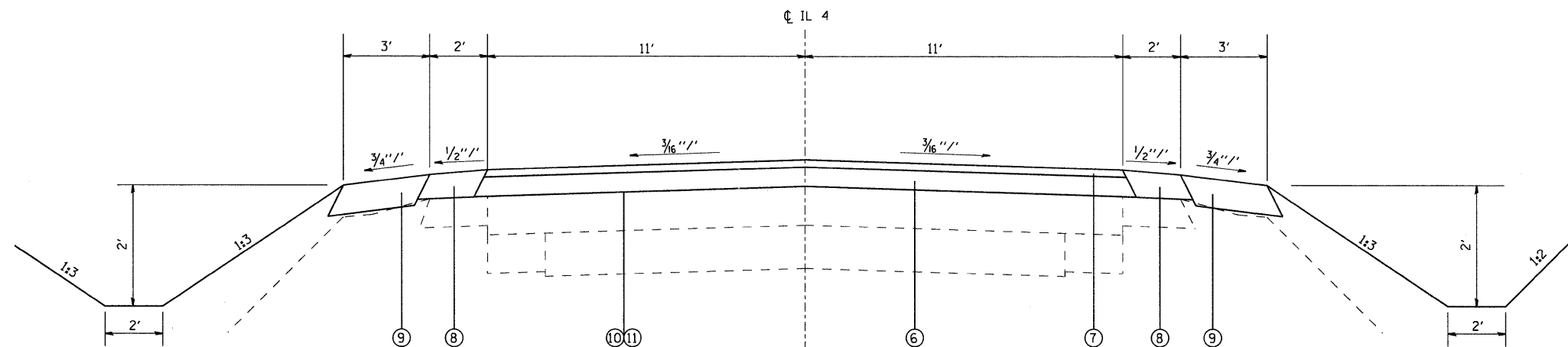


**EXISTING TYPICAL SECTION**

STA 333+00 TO STA 337+61  
STA 337+87 TO STA 342+50



**PROPOSED TYPICAL SECTION**

STA 333+00 TO STA 334+65

DENOTES REMOVAL

NOTES:  
HORIZONTAL DIMENSIONS ARE AT RIGHT ANGLES TO THE CL.  
SECTIONS LOOKING NORTH.  
SIDE SLOPES ARE SHOWN AS A RATIO OF VERTICAL TO HORIZONTAL DISTANCES (V:H).

**LEGEND**

- ① EXISTING P.C.C. PAVEMENT 9"-6"-9"
- ② EXISTING P.C.C. WIDENING 8"
- ③ EXISTING BITUMINOUS RESURFACING ± 8"
- ④ EXISTING BITUMINOUS SHOULDER 6"
- ⑤ EXISTING AGGREGATE SHOULDER TYPE B
- ⑥ PROPOSED HOT-MIX ASPHALT BINDER COURSE, VARIES 2 1/4" TO 18 1/2"
- ⑦ PROPOSED HOT-MIX ASPHALT SURFACE COURSE, 1 1/2"
- ⑧ PROPOSED HOT-MIX ASPHALT SHOULDERS, VARIES 1 1/2" TO 8 1/4"
- ⑨ PROPOSED AGGREGATE SHOULDERS TYPE A, 6"
- ⑩ PROPOSED BITUMINOUS MATERIALS (PRIME COAT)
- ⑪ PROPOSED AGGREGATE (PRIME COAT)
- ⑫ PROPOSED HOT-MIX ASPHALT BASE COURSE, 8 1/4"
- ⑬ PROPOSED STONE RIPRAP, CLASS A2
- ⑭ PROPOSED AGGREGATE BASE COURSE, TYPE A 12"

**MIXTURE REQUIREMENTS**

MIXTURE USE	SURFACE COURSE	BASE COURSE	BINDER COURSE	HOT-MIX ASPHALT SHOULDERS < 2.25"	HOT-MIX ASPHALT SHOULDERS ≥ 2.25"
AC/PG	PG 64-22	PG 64-22	PG 64-22	PG 64-22	PG 64-22
RAP % (MAX)	SEE SPECIAL PROV	SEE SPECIAL PROV	SEE SPECIAL PROV	SEE CONTRACT RAP	SEE CONTRACT RAP
DESIGN AIR VOIDS	4.0% @ Ndes=70	4.0% @ Ndes=70	4.0% @ Ndes=70	SPECIAL PROV	SPECIAL PROV
MIX COMPOSITION (GRADATION MIXTURE)		IL 19.0	IL 19.0	** 2.0% @ Ndes=30	** 2.0% @ Ndes=30
FRICTION AGG	MIXTURE "C"	MIXTURE "B"	MIXTURE "B"	NMAS 1/2"	NMAS 3/4"

\*\* TOP LIFT SHOULDERS - DESIGN THIS MIX AT 2% VOIDS AND ADD ASPHALT TO REDUCE VOIDS TO 1.5%.

PLAN QUANTITIES FOR HOT-MIX ASPHALT SURFACE COURSE ITEMS ARE CALCULATED USING A UNIT WEIGHT OF 112 LB/SO YD/IN.

FILE NAME =	USER NAME = thpr1	DESIGNED -	REVISED -	<b>STATE OF ILLINOIS DEPARTMENT OF TRANSPORTATION</b>	<b>TYPICAL SECTIONS</b>			F.A.P. RTE.	SECTION	COUNTY	TOTAL SHEETS	SHEET NO.	
cd\pw_work\pwsdot\thpr1\dms84068\0876388-sht-typical.dgn		DRAWN -	REVISED -		SCALE: N/A	SHEET NO. 1 OF 5 SHEETS	STA.	TO STA.	680	47-1BR	ST. CLAIR	44	5
		CHECKED -	REVISED -					CONTRACT NO. 76388					
		DATE -	REVISED -					ILLINOIS FED. AID PROJECT					