 DENOTES REMOVAL

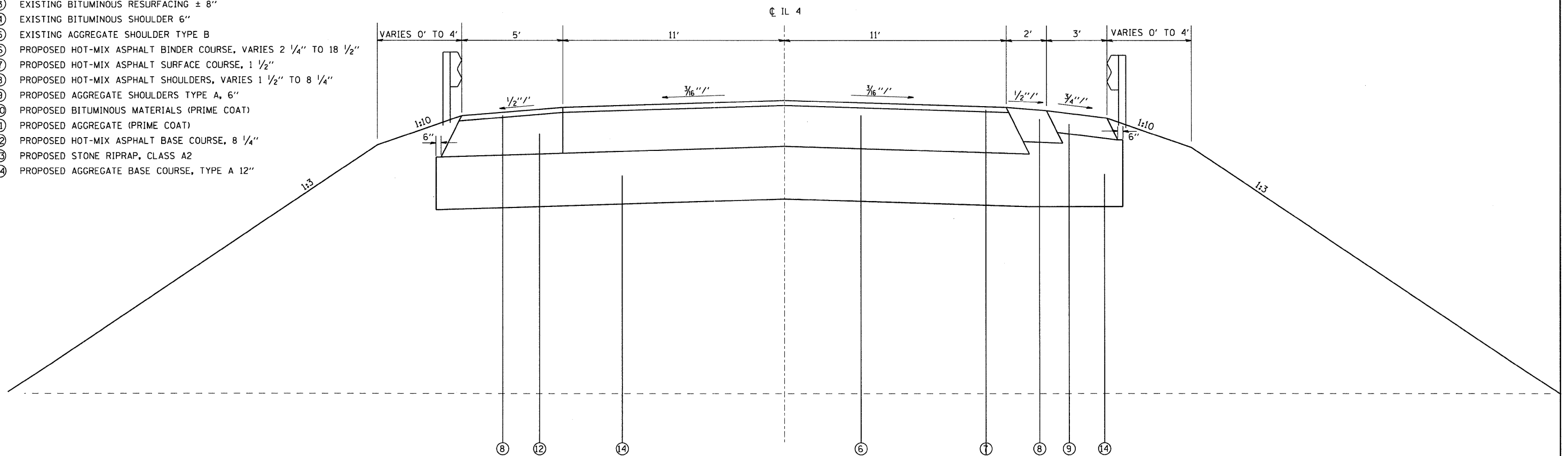
NOTES:  
 HORIZONTAL DIMENSIONS ARE AT RIGHT ANGLES TO THE CL.  
 SECTIONS LOOKING NORTH.  
 SIDE SLOPES ARE SHOWN AS A RATIO OF VERTICAL TO HORIZONTAL DISTANCES (V:H).

**LEGEND**

- ① EXISTING P.C.C. PAVEMENT 9'-6"-9"
- ② EXISTING P.C.C. WIDENING 8"
- ③ EXISTING BITUMINOUS RESURFACING ± 8"
- ④ EXISTING BITUMINOUS SHOULDER 6"
- ⑤ EXISTING AGGREGATE SHOULDER TYPE B
- ⑥ PROPOSED HOT-MIX ASPHALT BINDER COURSE, VARIES 2 1/4" TO 18 1/2"
- ⑦ PROPOSED HOT-MIX ASPHALT SURFACE COURSE, 1 1/2"
- ⑧ PROPOSED HOT-MIX ASPHALT SHOULDERS, VARIES 1 1/2" TO 8 1/4"
- ⑨ PROPOSED AGGREGATE SHOULDERS TYPE A, 6"
- ⑩ PROPOSED BITUMINOUS MATERIALS (PRIME COAT)
- ⑪ PROPOSED AGGREGATE (PRIME COAT)
- ⑫ PROPOSED HOT-MIX ASPHALT BASE COURSE, 8 1/4"
- ⑬ PROPOSED STONE RIPRAP, CLASS A2
- ⑭ PROPOSED AGGREGATE BASE COURSE, TYPE A 12"

**PROPOSED TYPICAL SECTION**

STA 337+49.53 (e Q) TO STA 337+78.47 (e Q)



**PROPOSED TYPICAL SECTION**

STA 337+78.47 (e Q) TO STA 337+87

FILE NAME =	USER NAME = therpr1	DESIGNED -	REVISED -
c:\pwwork\pwwork\therpr1\dms84068\0876388-sht-typical.dgn		DRAWN -	REVISED -
PLOT SCALE = 50.0000' / 1" =		CHECKED -	REVISED -
PLOT DATE = 10/20/2011		DATE -	REVISED -

**STATE OF ILLINOIS  
 DEPARTMENT OF TRANSPORTATION**

**TYPICAL SECTIONS**

SCALE: SHEET NO. 3 OF 5 SHEETS STA. TO STA.

F.A.P. RTE.	SECTION	COUNTY	TOTAL SHEETS	SHEET NO.
680	47-1BR	ST. CLAIR	44	7
CONTRACT NO. 76388				
FED. ROAD DIST. NO. ILLINOIS FED. AID PROJECT				