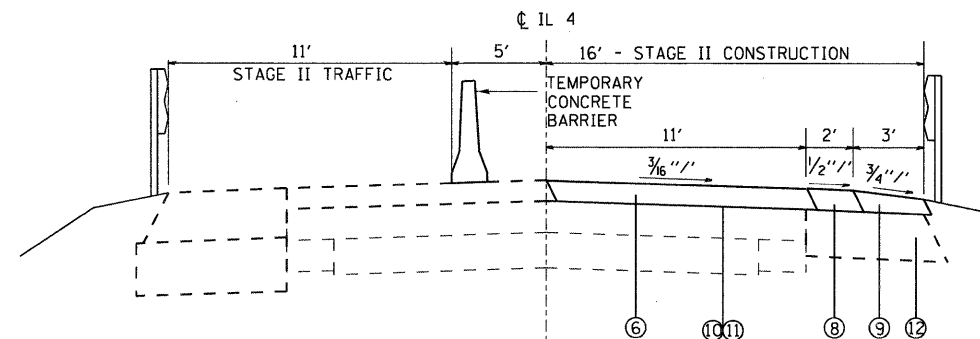
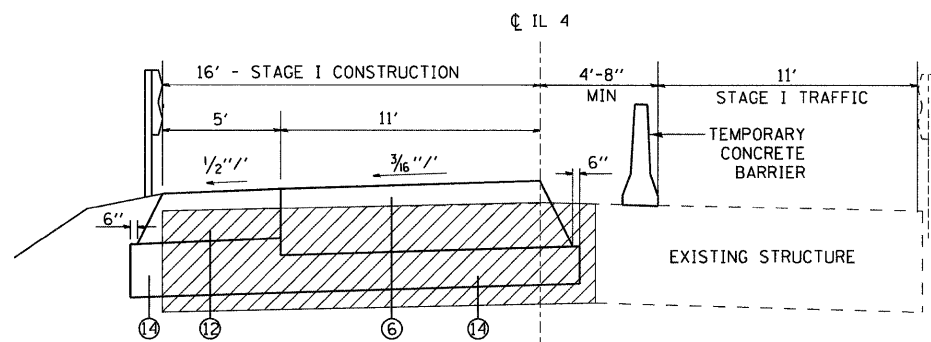


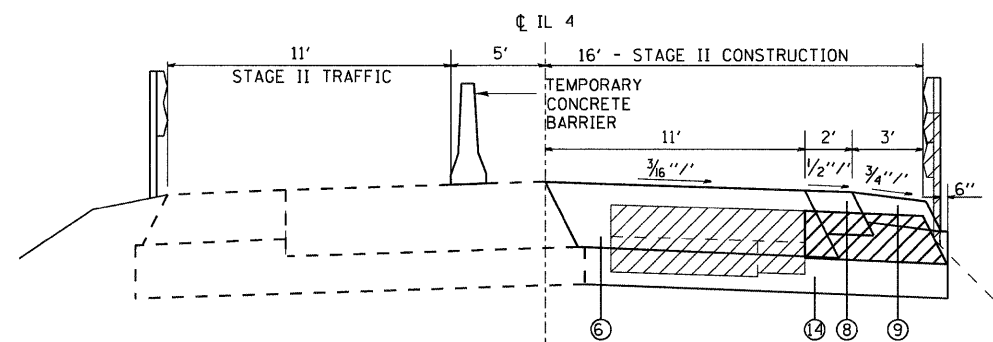
TYPICAL: STAGE I CONSTRUCTION
 STA 337+49.53 (± CL) TO STA 337+78.47 (± CL)



TYPICAL: STAGE II CONSTRUCTION
 STA 334+65 TO STA 337+30
 STA 337+98 TO STA 340+75



TYPICAL: STAGE I CONSTRUCTION
 STA 337+78.47 (± CL) TO STA 337+87



TYPICAL: STAGE II CONSTRUCTION
 STA 337+30 TO STA 337+49.53 (± CL)
 STA 337+87 TO STA 337+98

LEGEND

- ① EXISTING P.C.C. PAVEMENT - 9'-6"-9"
- ② EXISTING P.C.C. WIDENING 8"
- ③ EXISTING BITUMINOUS RESURFACING ± 8"
- ④ EXISTING BITUMINOUS SHOULDERS 6"
- ⑤ EXISTING AGGREGATE SHOULDER TYPE B
- ⑥ PROPOSED HOT-MIX ASPHALT BINDER COURSE, VARIES 2 1/4" TO 18 1/2"
- ⑦ PROPOSED HOT-MIX ASPHALT SURFACE COURSE, 1/2"
- ⑧ PROPOSED HOT-MIX ASPHALT SHOULDERS, VARIES 1 1/2" TO 8 1/4"
- ⑨ PROPOSED AGGREGATE SHOULDERS TYPE A, 6"
- ⑩ PROPOSED BITUMINOUS MATERIALS (PRIME COAT)
- ⑪ PROPOSED AGGREGATE (PRIME COAT)
- ⑫ PROPOSED HOT-MIX ASPHALT BASE COURSE, 8 1/4"
- ⑬ PROPOSED STONE RIPRAP, CLASS A2
- ⑭ PROPOSED AGGREGATE BASE COURSE, TYPE A 12"

DENOTES REMOVAL

NOTES:

HORIZONTAL DIMENSIONS ARE AT RIGHT ANGLES TO THE CL.
 SECTIONS LOOKING NORTH.

SIDE SLOPES ARE SHOWN AS A RATIO OF VERTICAL TO HORIZONTAL DISTANCES (V:H).

FILE NAME =	USER NAME = thprp1	DESIGNED -	REVISED -	STATE OF ILLINOIS DEPARTMENT OF TRANSPORTATION	STAGE CONSTRUCTION DETAILS			F.A.P. RTE.	SECTION	COUNTY	TOTAL SHEETS	SHEET NO.
cr:\pw_work\pwr\dots\thprp1\dms84068\0876898-ah-t-stage1.dgn		DRAWN -	REVISED -		SCALE: N/A	SHEET NO. 2 OF 3 SHEETS	STA. TO STA.	680	47-1BR	STP CLAIR	44	16
		CHECKED -	REVISED -					CONTRACT NO. 76388				
		DATE -	REVISED -		ILLINOIS FED. AID PROJECT							