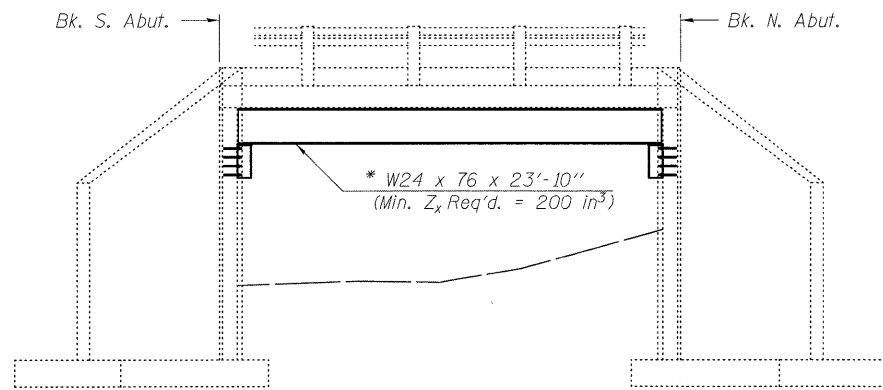


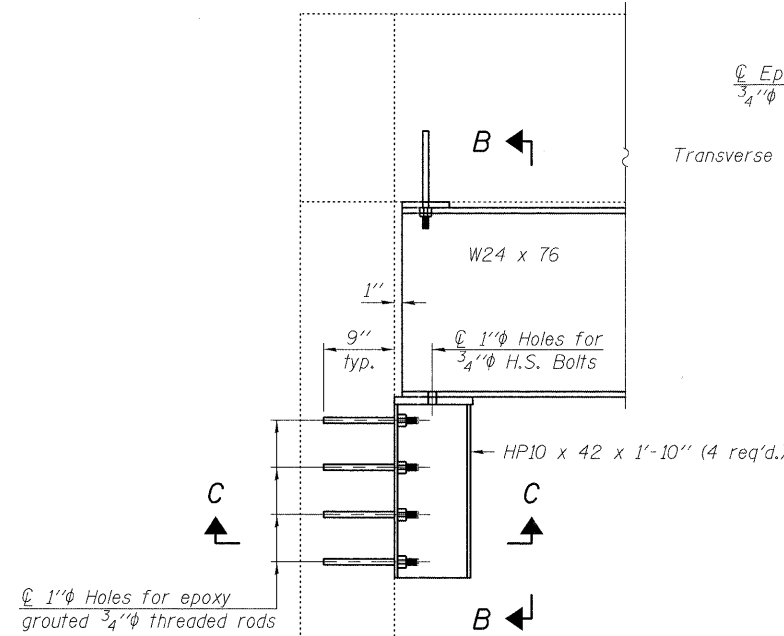
STATE OF ILLINOIS
DEPARTMENT OF TRANSPORTATION

GENERAL NOTES

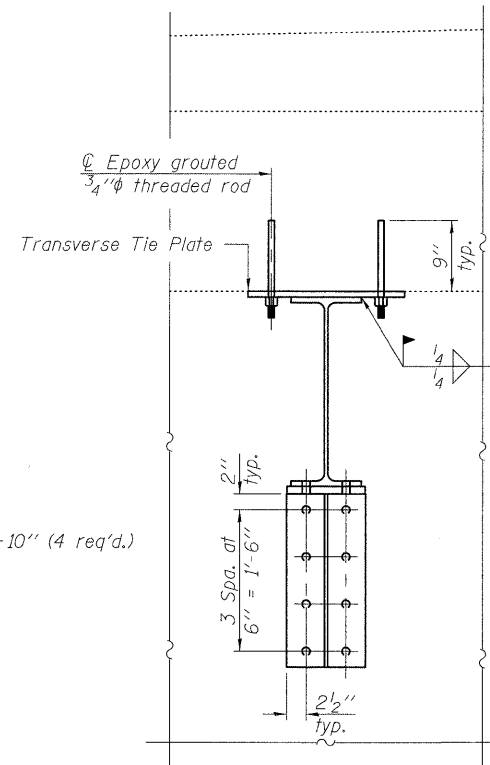
Fasteners shall be AASHTO M164 Type 1, mechanically galvanized bolts. Bolts $\frac{3}{4}$ in. ϕ , holes $\frac{15}{16}$ in. ϕ , unless otherwise noted.
Calculated weight of Structural Steel = 4,450 AASHTO M270 Grade 36. Calculated weight is an estimate. The nominal beam depth of alternate sections shall not be greater than 27". No additional payment will be made if Contractor elects to use other sections. The cost of structural steel shall be included with Temporary Support System.
No field welding is permitted except as specified in the contract documents.
Plan dimensions and details relative to existing plans are subject to nominal construction variations. The Contractor shall field verify existing dimensions and details affecting new construction and make necessary approved adjustments prior to construction or ordering of materials. Such variations shall not be cause for additional compensation for a change in scope of the work.
See Section 584 of the Standard Specifications for epoxy grouting of threaded rods.
The cost of epoxy grouting threaded rods shall be included with Temporary Support System.
Contractor has the option of using used steel. See Special Provision.



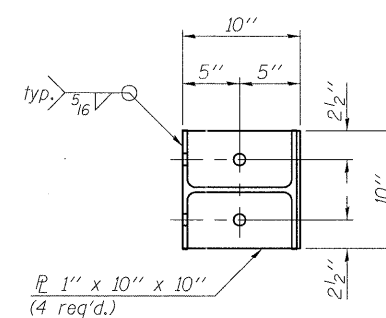
ELEVATION



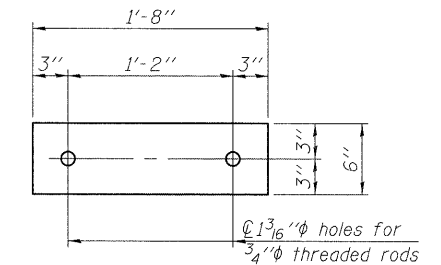
SECTION A-A



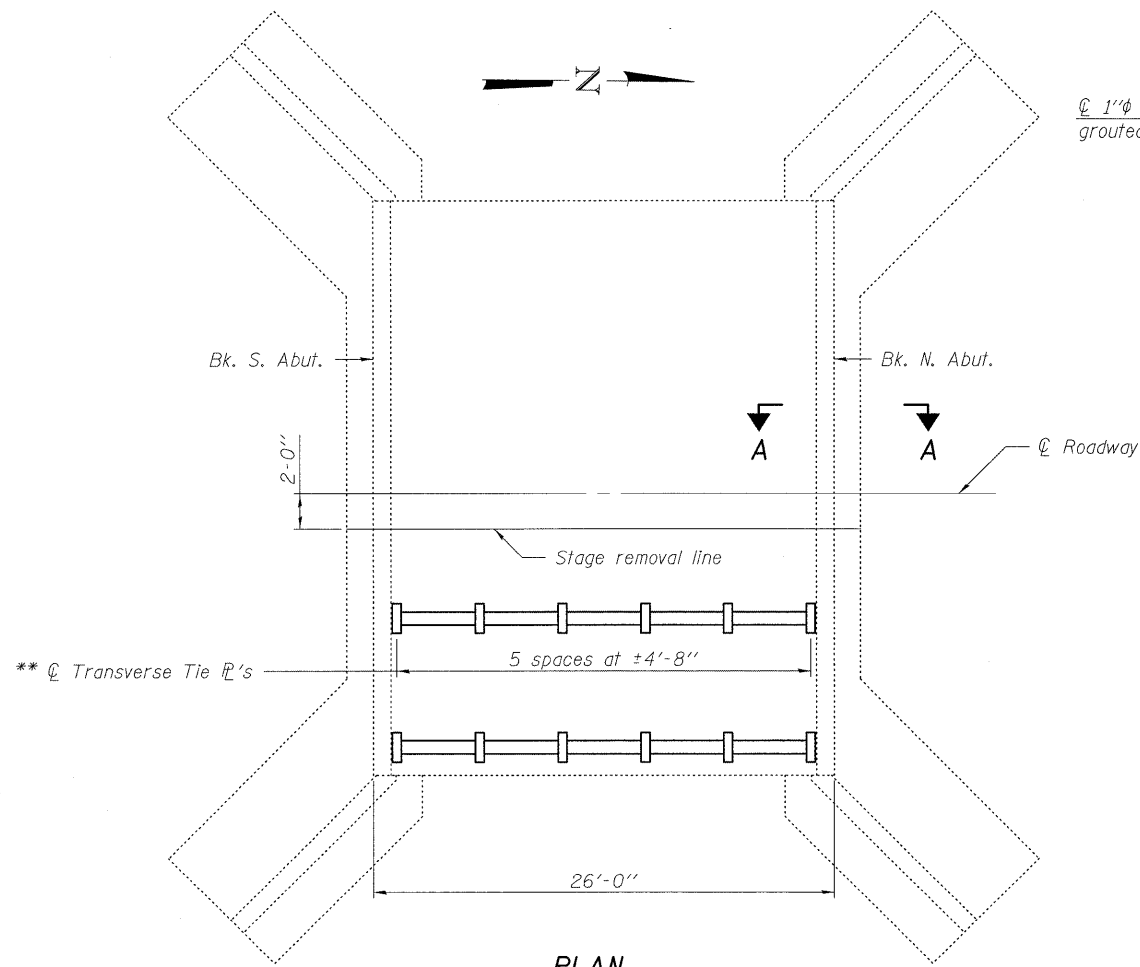
SECTION B-B



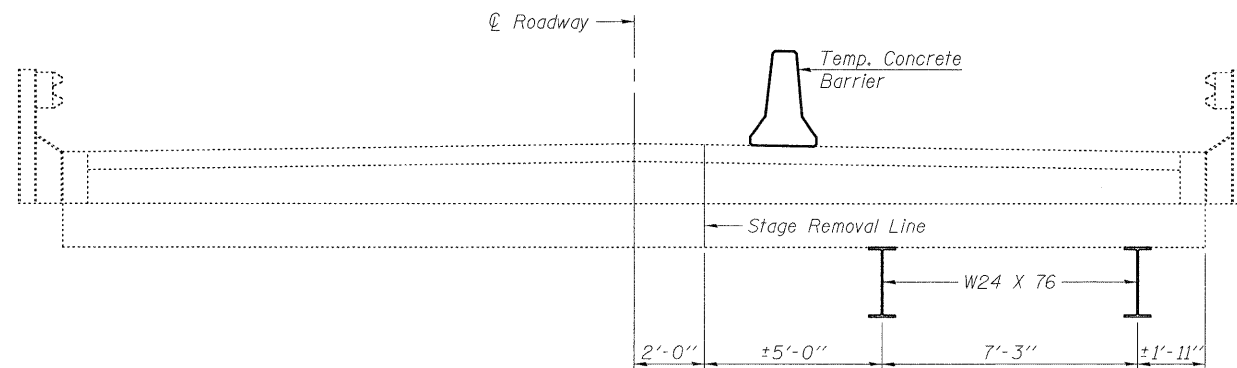
SECTION C-C



TRANSVERSE TIE PLATE
3/4" x 6" x 1'-8" (12 req'd.)



PLAN



CROSS SECTION
(Looking North)

DESIGNED	KAK
CHECKED	EML
DRAWN	KAK
CHECKED	EML

* Contractor is to verify beam length prior to ordering material. Other sections meeting the plastic section modulus requirements shown may be allowed subject to approval by the Bureau of Bridges and Structures.
** Place additional shims at midpoints between tie plates. Securely weld shims to top flange of support beam. Minimum shim size is 6" x flange width. Spacing may be adjusted to miss adjacent transverse tie plates.

TEMPORARY SUPPORT SYSTEM
STRUCTURE NO. 082-2021

HORNER &
SHIFRIN, INC.
ENGINEERS

SHEET NO. 2 8 SHEETS	F.A.P. RTE.	SECTION	COUNTY	TOTAL SHEETS	SHEET NO.
	680	47-1BR	ST. CLAIR	44	30
FED. ROAD DIST. NO.			ILLINOIS FED. AID PROJECT		
CONTRACT NO. 76388					