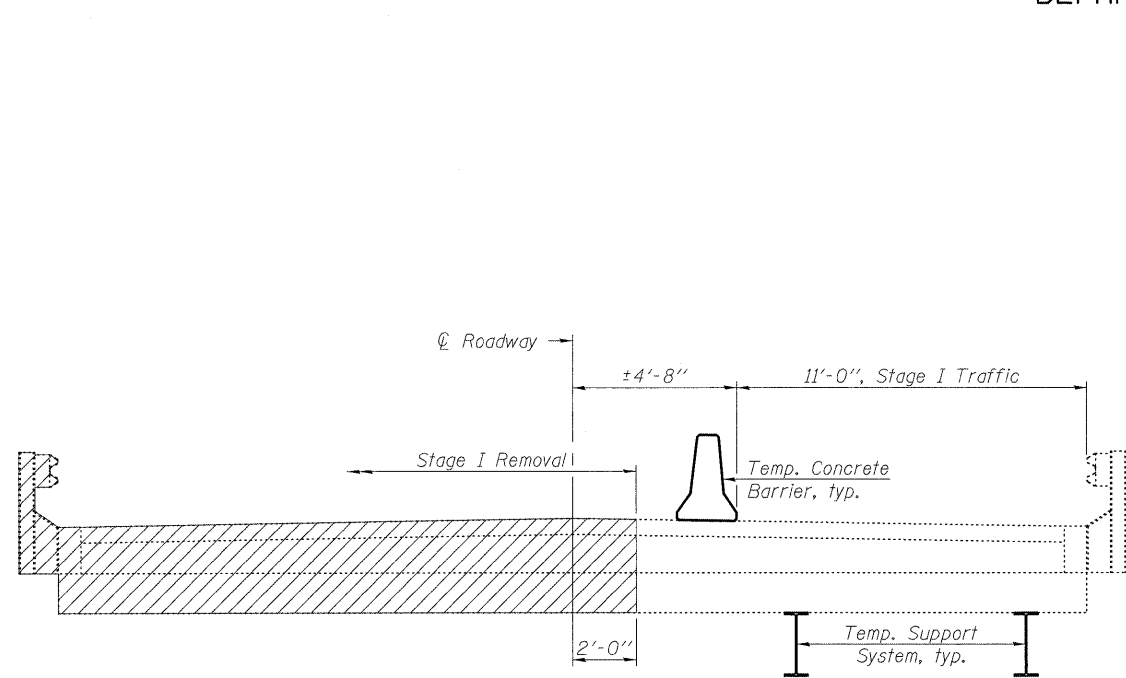
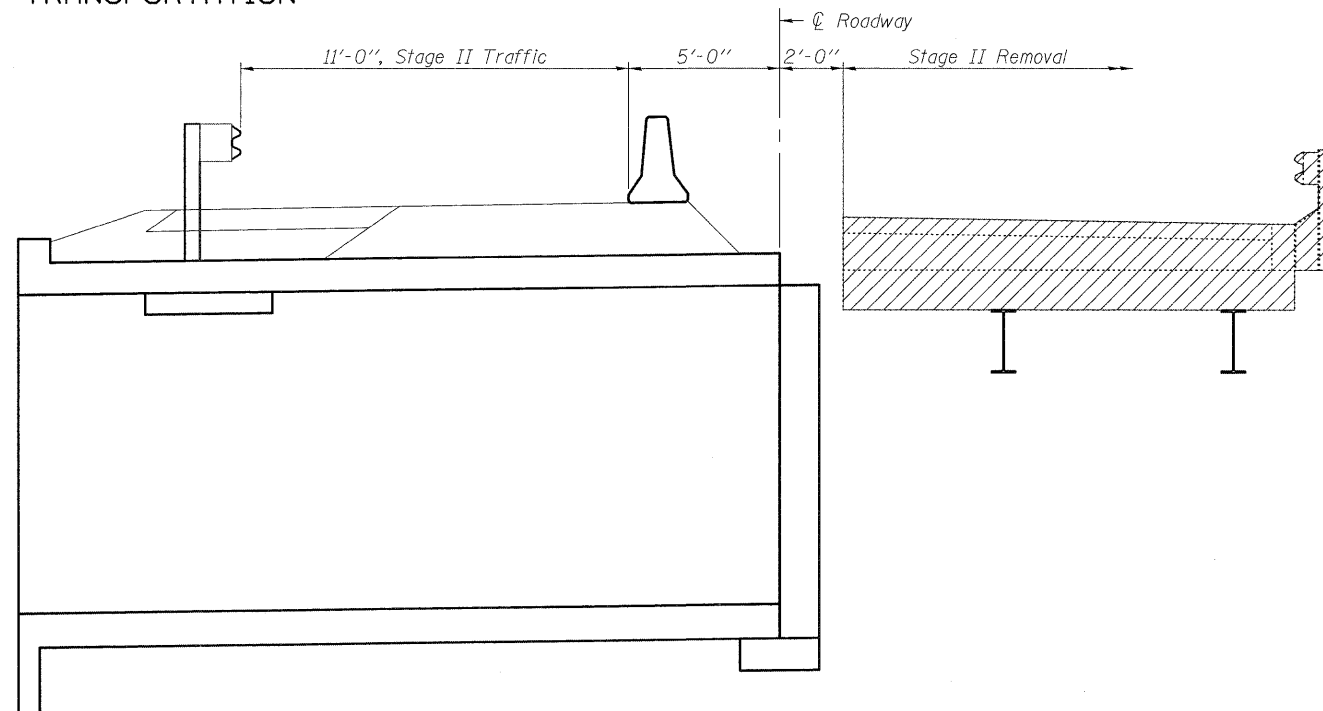


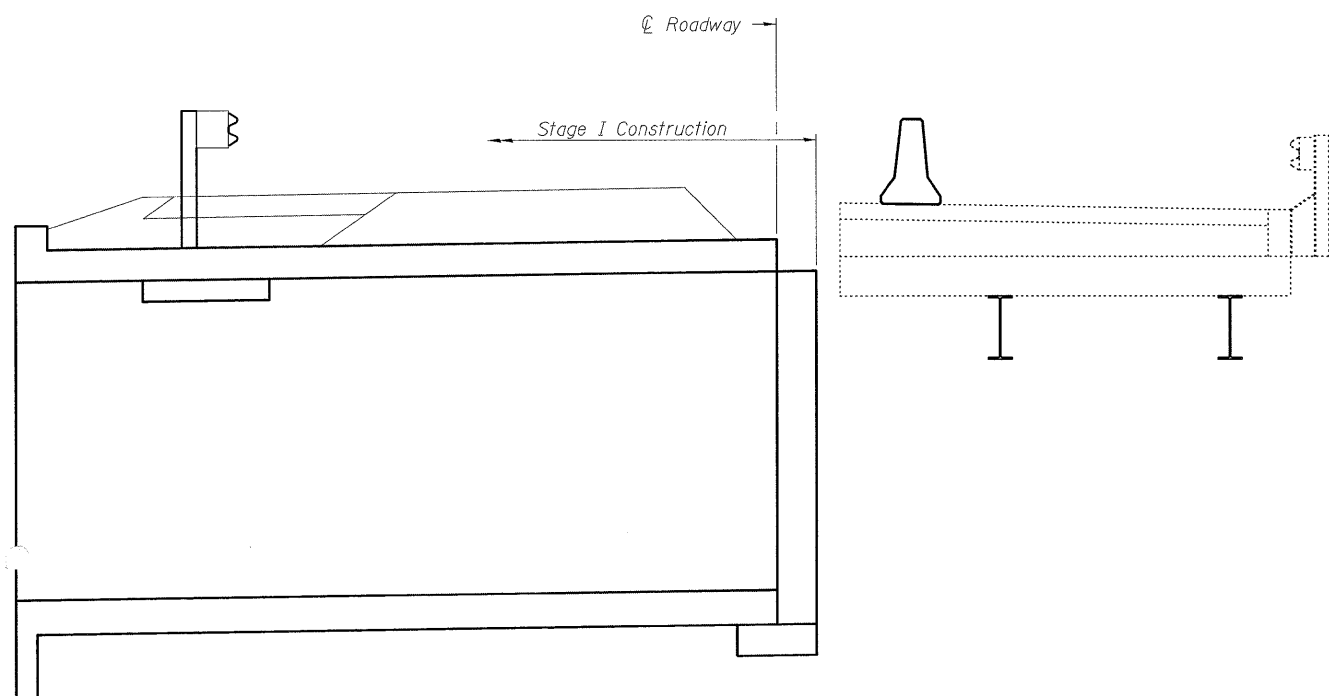
STATE OF ILLINOIS
DEPARTMENT OF TRANSPORTATION



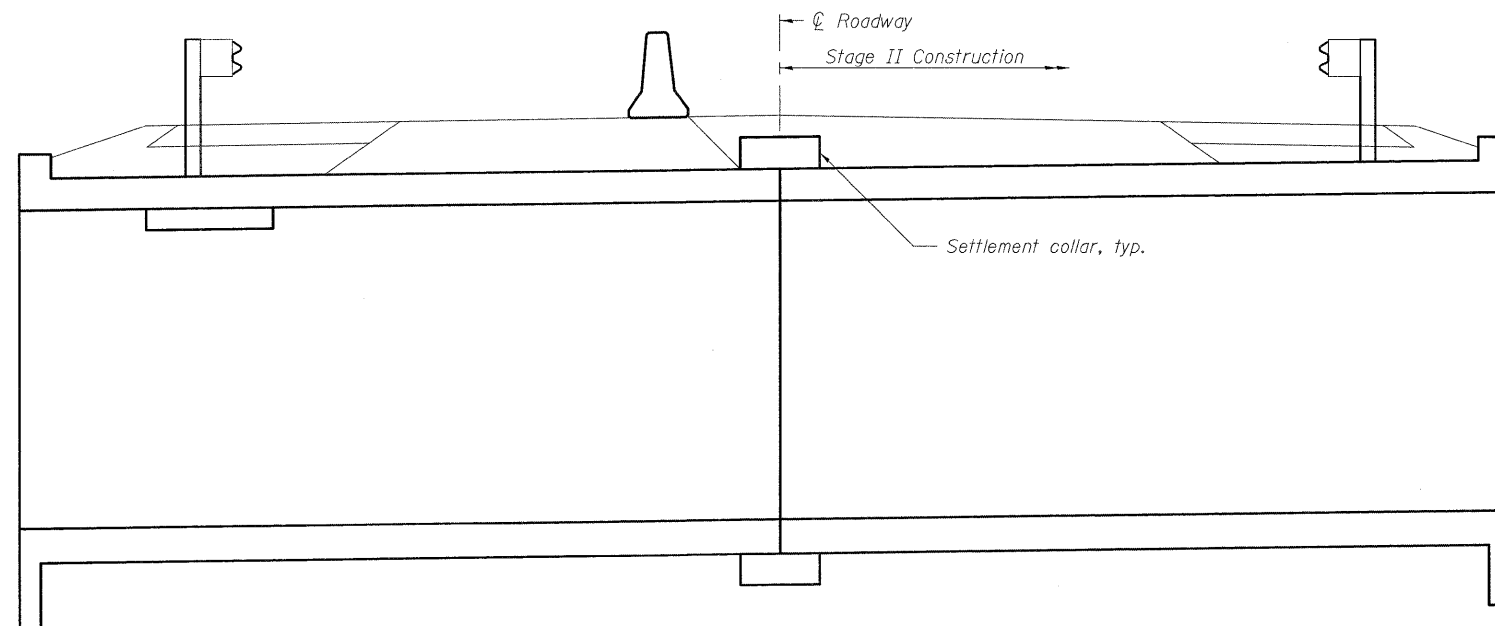
STAGE I REMOVAL



STAGE II REMOVAL



STAGE I CONSTRUCTION



STAGE II CONSTRUCTION

DESIGNED	KAK
CHECKED	EML
DRAWN	KAK
CHECKED	EML

Notes:
For Temporary Concrete Barrier Details, see sheet 5 of 8.
For Temporary Support System Details, see sheet 2 of 8.
All staging cross sections are looking North.
Hatched area indicates Removal of Existing Structures.
For quantity of Temporary Concrete Barrier, see roadway plans.

STAGE CONSTRUCTION DETAILS
STRUCTURE NO. 082-2021

HORNER & SHIFRIN, INC.
ENGINEERS

SHEET NO. 4 8 SHEETS	F.A.P. RTE.	SECTION	COUNTY	TOTAL SHEETS	SHEET NO.
	680	47-1BR	ST. CLAIR	44	32
FED. ROAD DIST. NO.			ILLINOIS FED. AID PROJECT		
CONTRACT NO. 76388					