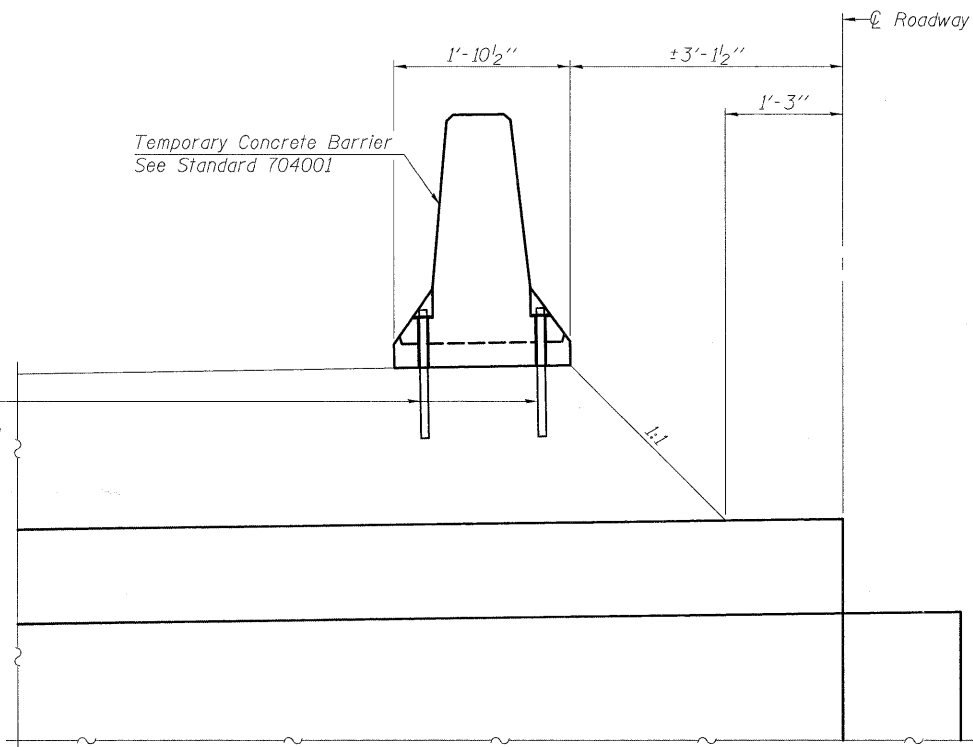
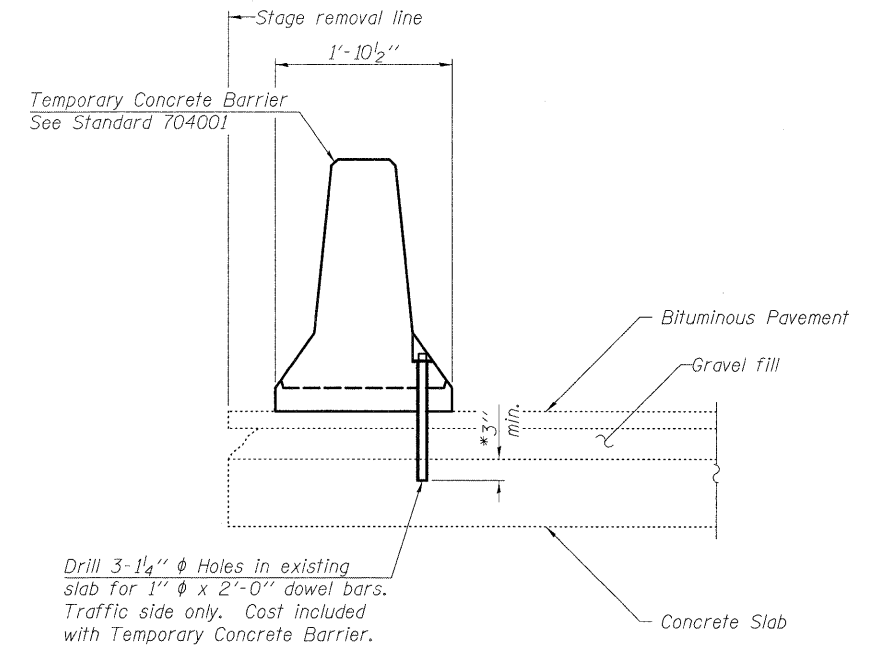


STATE OF ILLINOIS  
DEPARTMENT OF TRANSPORTATION



SECTION THRU NEW CULVERT

Attach each Temporary Concrete Barrier to the pavement over the top of the culvert with six anchoring pins. Remaining holes shall be repaired as directed by the Engineer. See Standard 704001.



SECTION THRU EXISTING SLAB

Drill 3-1 1/4"  $\phi$  Holes in existing slab for 1"  $\phi$  x 2'-0" dowel bars. Traffic side only. Cost included with Temporary Concrete Barrier.

DESIGNED	KAK
CHECKED	EML
DRAWN	KAK
CHECKED	EML

Notes:  
Cost of anchoring pins and dowel bars is included with Temporary Concrete Barrier.  
\* Dimension shown is minimum required embedment into concrete.

TEMPORARY CONCRETE BARRIER  
FOR STAGE CONSTRUCTION  
STRUCTURE NO. 082-2021

**HORNER & SHIFRIN, INC.**  
ENGINEERS

SHEET NO. 5	F.A.P. RTE.	SECTION	COUNTY	TOTAL SHEETS	SHEET NO.
	680	47-1BR	ST. CLAIR	44	33
8 SHEETS	CONTRACT NO. 76388				
FED. ROAD DIST. NO.		ILLINOIS FED. AID PROJECT			