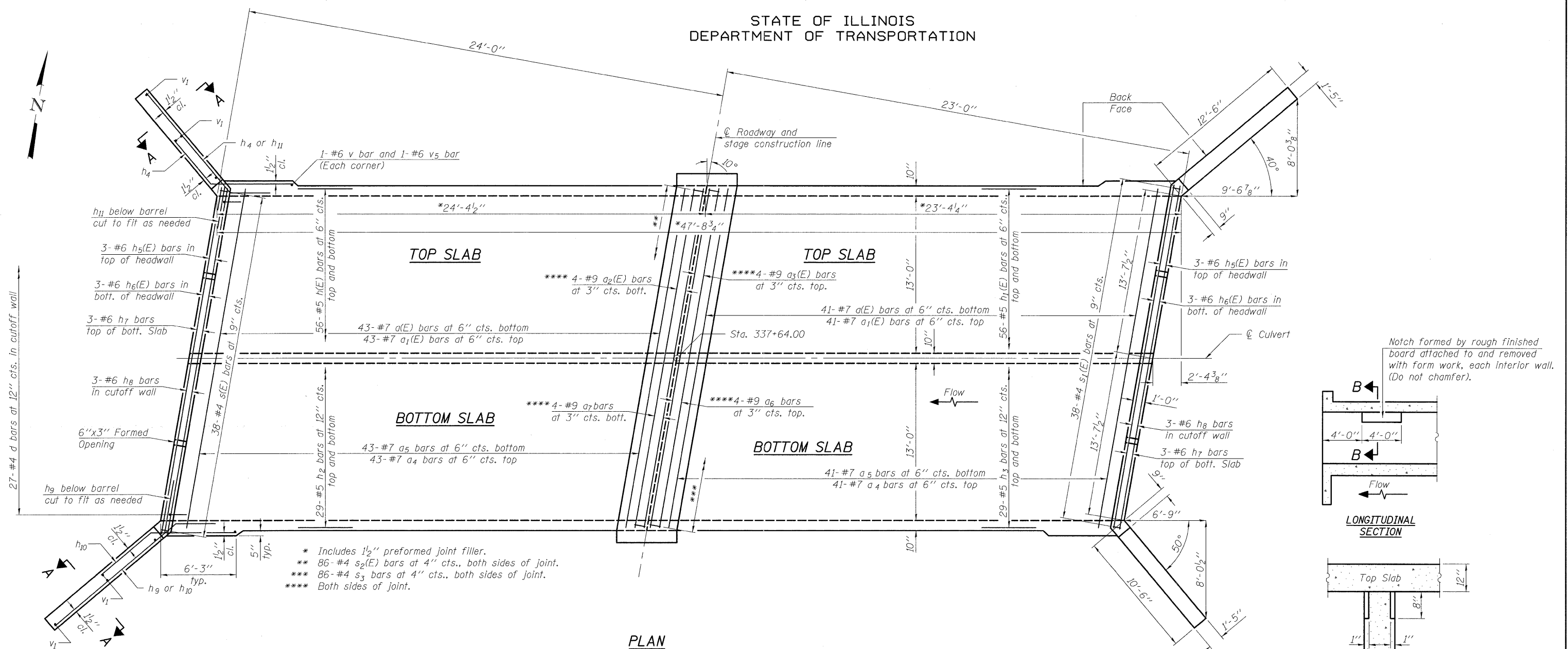
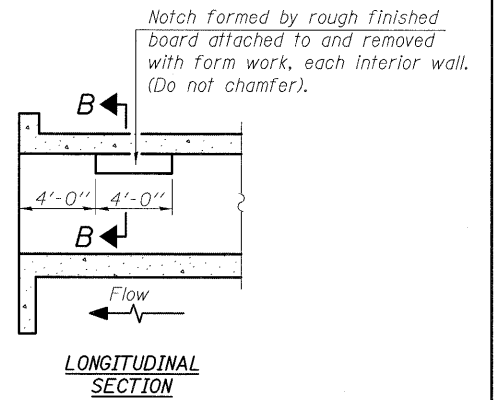


STATE OF ILLINOIS
DEPARTMENT OF TRANSPORTATION

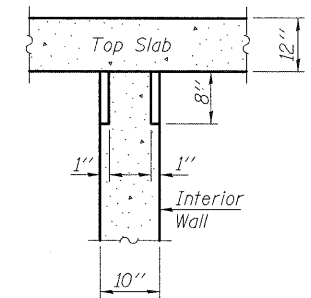


PLAN

(Settlement collar reinforcement and dimensions not shown for clarity)

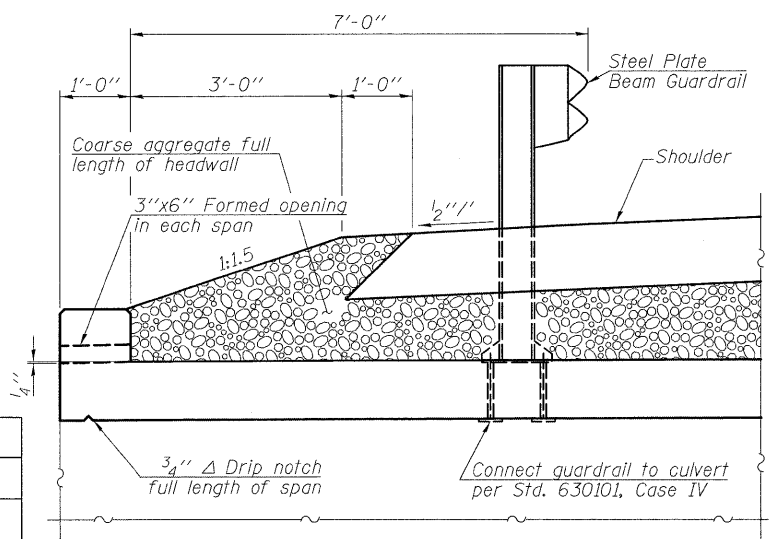


LONGITUDINAL SECTION

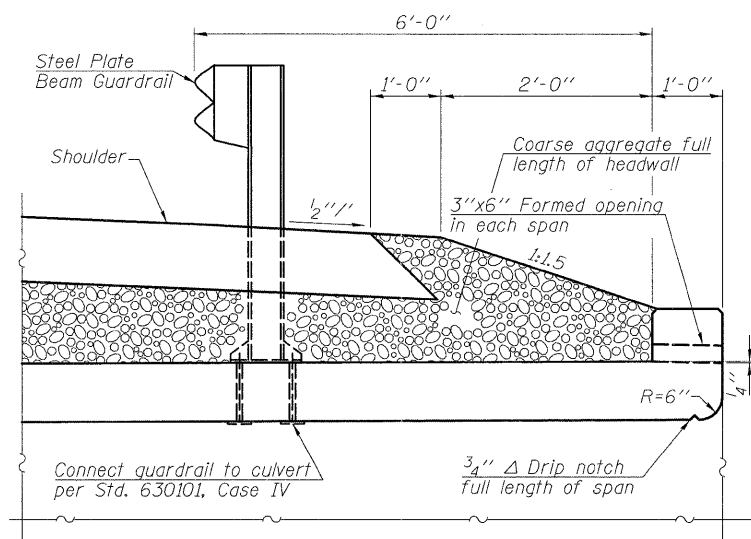


SECTION B-B

**PHOEBE NESTING
SITE DETAILS
(Downstream End Only)**



**DRAIN OPENING AND GUARDRAIL
MOUNTING DETAIL AT DOWNSTREAM END**



**DRAIN OPENING AND GUARDRAIL
MOUNTING DETAIL AT UPSTREAM END**

Notes:

- A distance of half the length of the wingwall but not less than six feet of the barrel shall be poured monolithically with the wingwalls.
- See sheet 7 of 8 for Elevation, Details, Settlement collar, and Section A-A.
- Coarse aggregate is to be placed by Grading Contractor. Cost is included with Concrete Box Culverts.
- Reinforcement bar spacings are at right angles to the bars.

DESIGNED	KAK
CHECKED	EML
DRAWN	KAK
CHECKED	EML

**HORNER &
SHIFRIN, INC.
ENGINEERS**

SHEET NO. 6 8 SHEETS	F.A.P. RTE. 680	SECTION 47-1BR	COUNTY ST. CLAIR	TOTAL SHEETS 44	SHEET NO. 34
	CONTRACT NO. 76388			ILLINOIS FED. AID PROJECT	

**CULVERT PLAN
STRUCTURE NO. 082-2021**