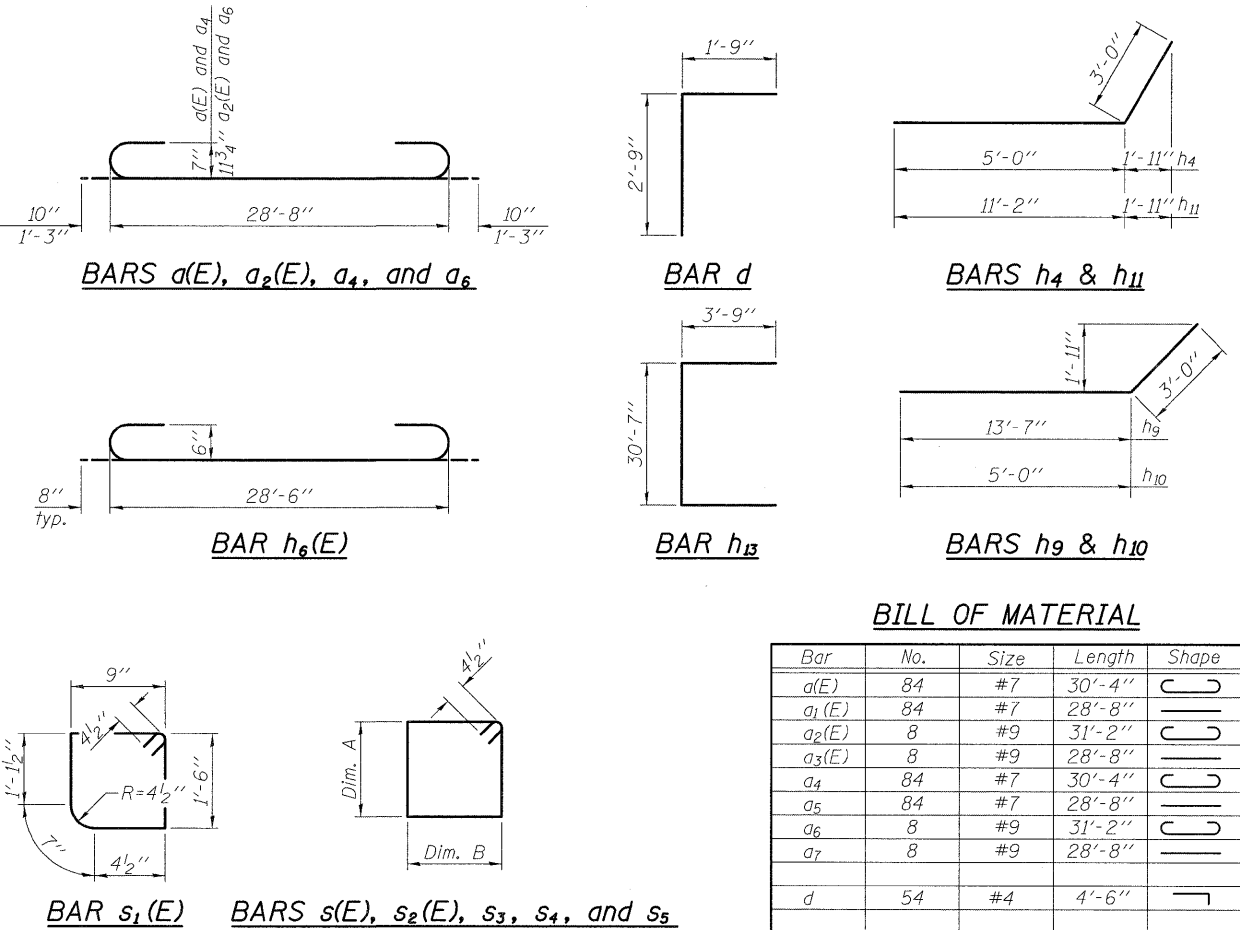
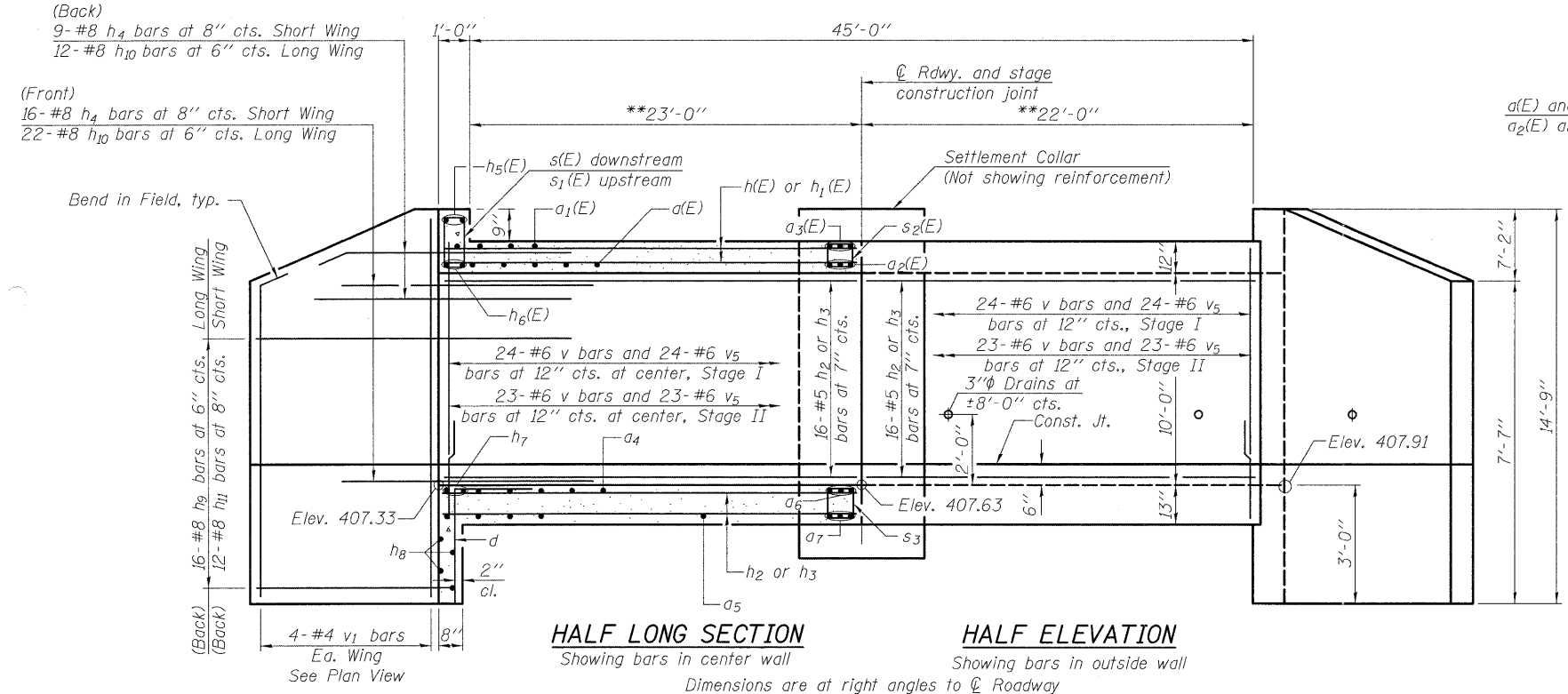


STATE OF ILLINOIS
DEPARTMENT OF TRANSPORTATION

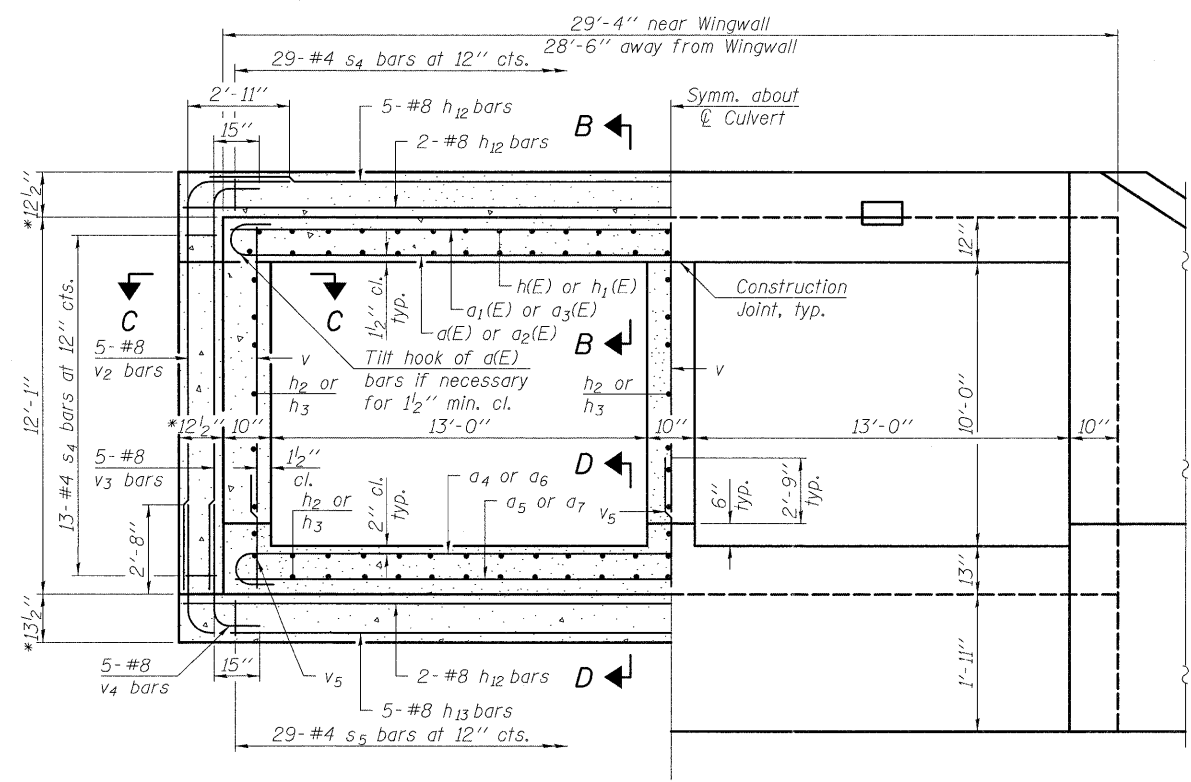
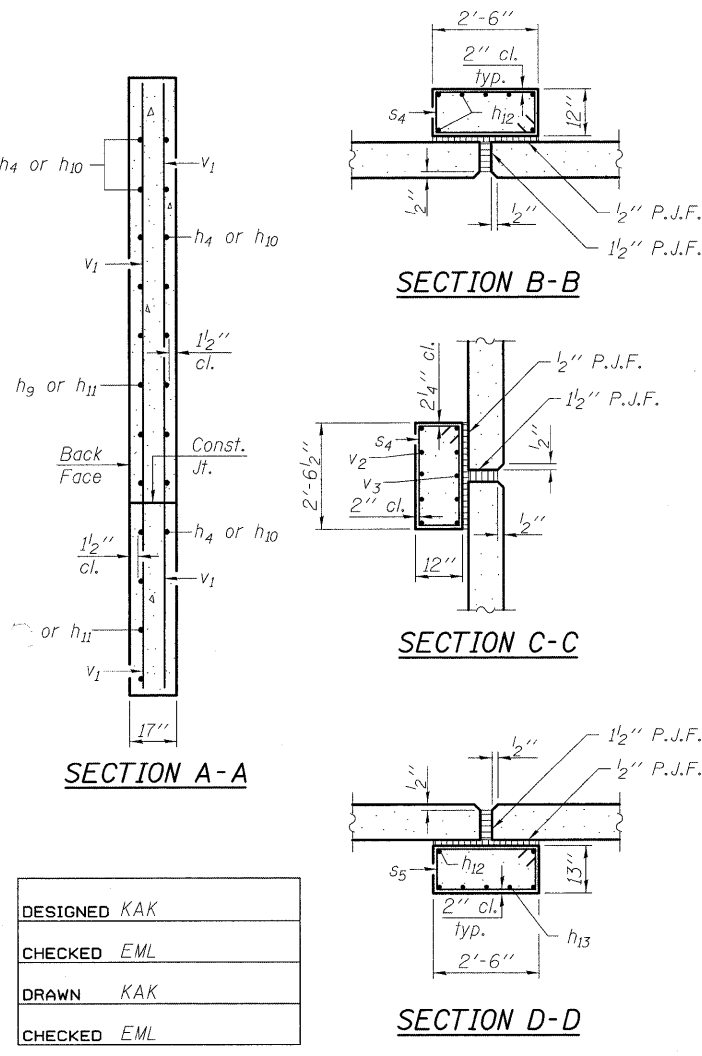


BILL OF MATERIAL

Bar	No.	Size	Length	Shape
a(E)	84	#7	30'-4"	U
a1(E)	84	#7	28'-8"	U
a2(E)	8	#9	31'-2"	U
a3(E)	8	#9	28'-8"	U
a4	84	#7	30'-4"	U
a5	84	#7	28'-8"	U
a6	8	#9	31'-2"	U
a7	8	#9	28'-8"	U
d	54	#4	4'-6"	L
h(E)	112	#5	24'-0"	—
h1(E)	112	#5	22'-8"	—
h2	106	#5	24'-0"	—
h3	106	#5	23'-0"	—
h4	50	#8	8'-0"	L
h5(E)	6	#6	28'-6"	—
h6(E)	6	#6	29'-10"	U
h7	6	#6	28'-6"	—
h8	6	#6	29'-6"	—
h9	32	#8	16'-7"	—
h10	68	#8	8'-0"	—
h11	24	#8	14'-2"	—
h12	9	#8	30'-3"	—
h13	5	#8	38'-1"	L
s(E)	38	#4	5'-3"	□
s1(E)	38	#4	5'-1"	□
s2(E)	172	#4	4'-3"	□
s3	172	#4	4'-5"	□
s4	55	#4	6'-5"	□
s5	29	#4	6'-7"	□
v	145	#6	10'-2"	—
v1	16	#4	14'-5"	—
v2	10	#8	15'-9"	—
v3	10	#8	13'-9"	L
v4	10	#8	5'-0"	L
v5	145	#6	3'-8"	—
Concrete Box Culverts			Cu. Yd.	192.6
Reinforcement Bars			Pound	28,690
Reinforcement Bars, Epoxy Coated			Pound	18,490

TABLE OF VARIABLE DIMENSIONS

Bar	Dim. A	Dim. B
s(E)	1'-6"	9"
s2(E)	9"	1'-0"
s3	10"	1'-0"
s4	2'-2"	8"
s5	2'-2"	9"



DESIGNED	KAK
CHECKED	EML
DRAWN	KAK
CHECKED	EML

Notes:
* Includes 1/2" Preformed joint filler.
** Includes 1/2" Preformed joint filler.
Cost of Preformed joint filler included in Concrete Box Culverts.



SHEET NO. 7 8 SHEETS	F.A.P. RTE.	SECTION	COUNTY	TOTAL SHEETS	SHEET NO.
	680	47-1BR	ST. CLAIR	44	35
			CONTRACT NO. 76388		
FED. ROAD DIST. NO.		ILLINOIS FED. AID PROJECT			

**CULVERT ELEVATION AND DETAILS
STRUCTURE NO. 082-2021**