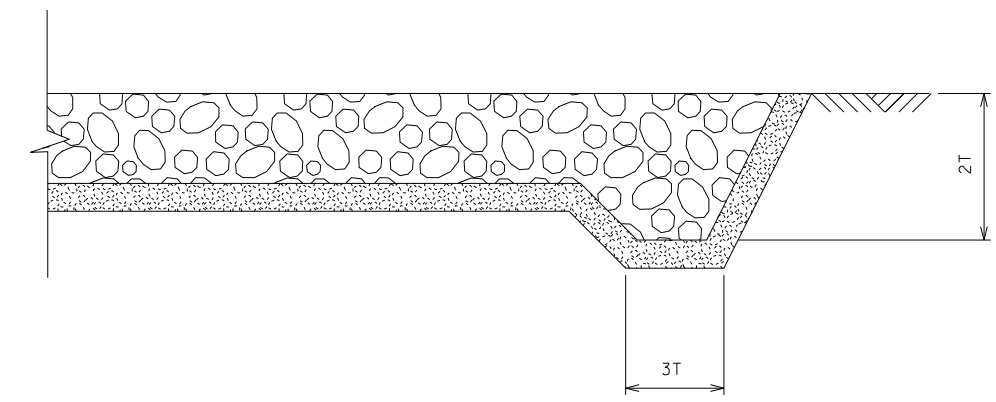


SECTION A-A



SECTION B-B

FILE NAME = D876884.sht-drain.dgn	USER NAME = rjo	DESIGNED - A.T.M.	REVISED -
	MODEL NAME = \$MODELNAME\$	DRAWN - R.J.O.	REVISED -
	PLOT SCALE = 100.0000' / IN.	CHECKED - A.T.M.	REVISED -
	PLOT DATE = 10/17/2011	DATE - 10/19/11	REVISED -

**STATE OF ILLINOIS  
DEPARTMENT OF TRANSPORTATION**

**IL ROUTE 15  
STEEP SLOPE RIPRAP DETAIL AT PIPE CULVERT ENDS**

SCALE: 1"=50' SHEET NO. 1 OF 1 SHEETS STA. TO STA.

F.A.P. RTE.	SECTION	COUNTY	TOTAL SHEETS	SHEET NO.
103	27-1-VHB-1	ST. CLAIR	277	90
CONTRACT NO. 76884				
ILLINOIS FED. AID PROJECT				