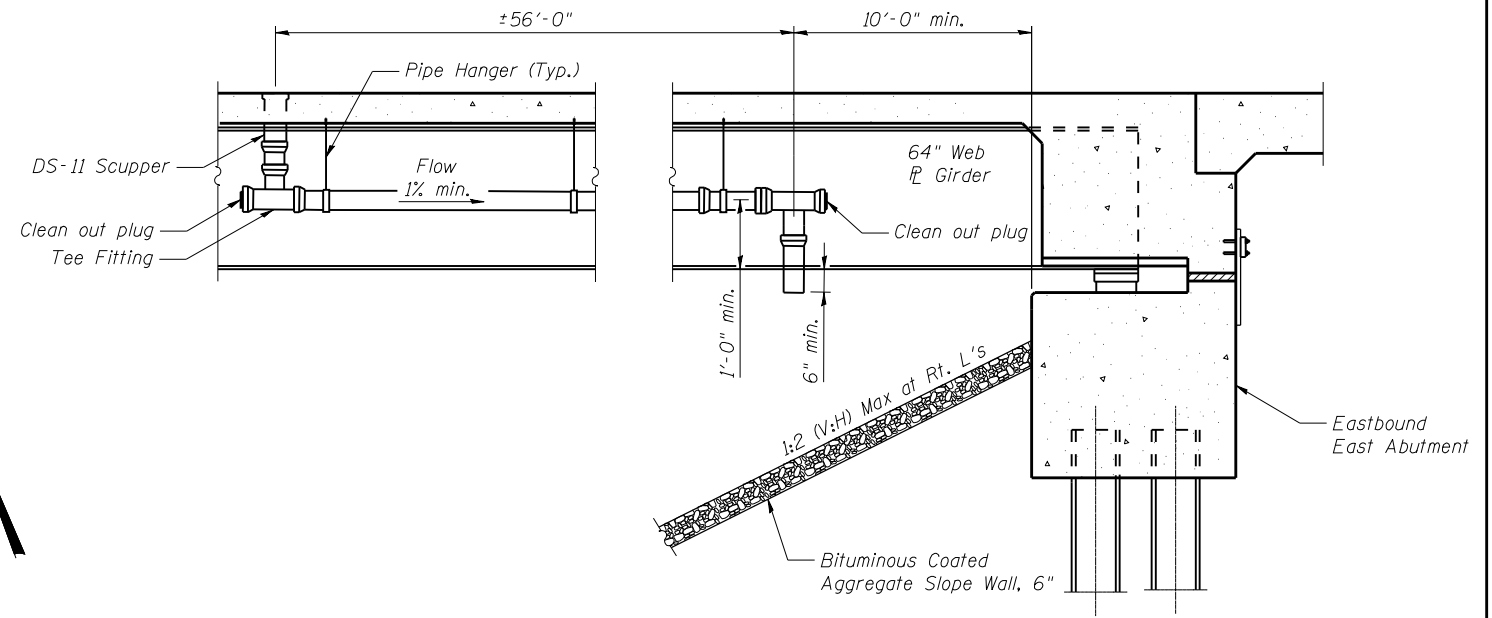


DRAINAGE SYSTEM PLAN
 (See Deck Plan Sht. S-17 of S-62 for location of Drainage Pipe Inserts)



VIEW A-A

BILL OF MATERIAL

ITEM	UNIT	TOTAL
Drainage System	L. Sum	1

FILE NAME = 0820117-0118-76884-026-DrainageSystem.dgn



USER NAME = brozzano	DESIGNED - RAB	REVISED -
	CHECKED - JAN	REVISED -
PLOT SCALE = 0x2.0000 '1' / IN.	DRAWN - RAB	REVISED -
PLOT DATE = 10/19/2011	CHECKED - SAB	REVISED -

**STATE OF ILLINOIS
 DEPARTMENT OF TRANSPORTATION**

**DRAINAGE SYSTEM
 STRUCTURE NO. 082-0117 (E.B.) & 082-0118 (W.B.)**

SHEET NO. S-26 OF S-62 SHEETS

F.A.P. RTE.	SECTION	COUNTY	TOTAL SHEETS	SHEET NO.
103	27-1-VHB-1	ST. CLAIR	277	141
				CONTRACT NO. 76884
ILLINOIS FED. AID PROJECT				