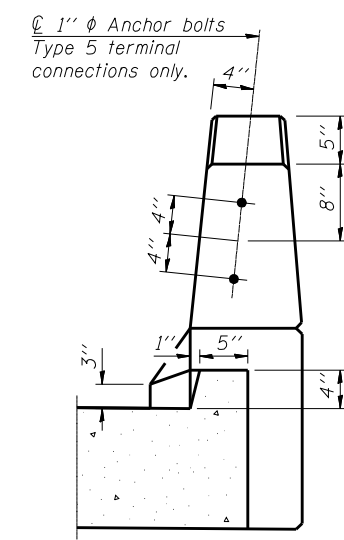
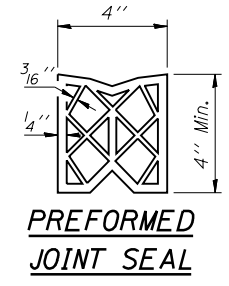
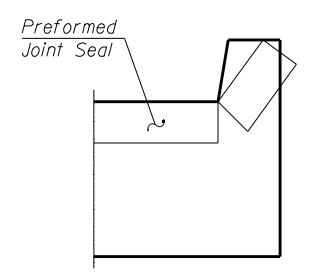


**DETAIL A**



**VIEW B-B**



**VIEW F-F**

Angle Preformed Joint Seal at 45° at curbs when req'd for drainage.

**EAST EASTBOUND APPROACH SLAB**  
(Showing Wearing Surface)

**Notes:**  
 See sheet S-31 of S-62 for Sections C-C & G-G and View E-E.  
 a4(E) and a5(E) bar spacings measured along  $\varnothing$  Rdwy.  
 See sheet S-23 of S-62 for Parapet Joint Details  
 \* Alternate between a4(E) bars, typ. each parapet.  
 \*\* Cost included with Concrete Superstructure.  
 Bars indicated thus 1 x 5-#5 etc. indicates 1 line of bars with 5 lengths per line.

FILE NAME = 082017-0118-76884-028-EastAppSlabEB.dgn



USER NAME = brazzara	DESIGNED - RAB	REVISED -
PLOT SCALE = 8x0.0000 '1' / IN.	CHECKED - BTO	REVISED -
PLOT DATE = 10/19/2011	DRAWN - RAB	REVISED -
	CHECKED - JAN	REVISED -

**STATE OF ILLINOIS**  
**DEPARTMENT OF TRANSPORTATION**

**EAST APPROACH SLAB PLAN EASTBOUND**  
**STRUCTURE NO. 082-0117 (E.B.) & 082-0118 (W.B.)**

SHEET NO. S-28 OF S-62 SHEETS

F.A.P. RTE.	SECTION	COUNTY	TOTAL SHEETS	SHEET NO.
103	27-1-VHB-1	ST. CLAIR	277	143
CONTRACT NO. 76884				
ILLINOIS FED. AID PROJECT				