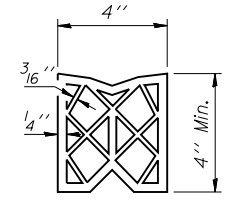
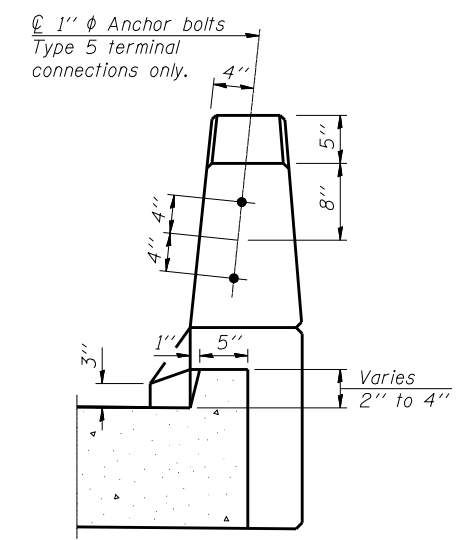


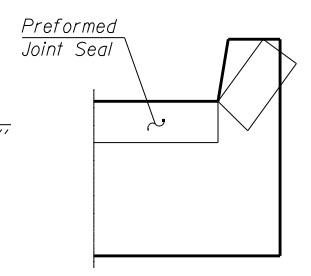
DETAIL A



PREFORMED JOINT SEAL



VIEW B-B



VIEW F-F

Angle Preformed Joint Seal at 45° at curbs when req'd for drainage.

Notes:
 See sheet S-32 of S-62 for Sections C-C & D-D and View E-E.
 a4(E) and a5(E) bar spacings measured along ϕ Rdwy.
 See sheet S-24 of S-62 for Parapet Joint Details
 * Alternate between a4(E) bars, typ. each parapet.
 ** Cost included with Concrete Superstructure.
 Bars indicated thus 1 x 5-#5 etc. indicates 1 line of bars with 5 lengths per line.

WEST WESTBOUND APPROACH SLAB

FILE NAME = 0820117-0118-76884-029-WestAppSlabWB.dgn



USER NAME = brazzara	DESIGNED - RAB	REVISED -
PLOT SCALE = 8x0.0000 '1' / IN.	CHECKED - BTO	REVISED -
PLOT DATE = 10/19/2011	DRAWN - RAB	REVISED -
	CHECKED - JAN	REVISED -

**STATE OF ILLINOIS
 DEPARTMENT OF TRANSPORTATION**

**WEST APPROACH SLAB PLAN WESTBOUND
 STRUCTURE NO. 082-0117 (E.B.) & 082-0118 (W.B.)**

SHEET NO. S-29 OF S-62 SHEETS

F.A.P. RTE.	SECTION	COUNTY	TOTAL SHEETS	SHEET NO.
103	27-1-VHB-1	ST. CLAIR	277	144
CONTRACT NO. 76884				

ILLINOIS FED. AID PROJECT