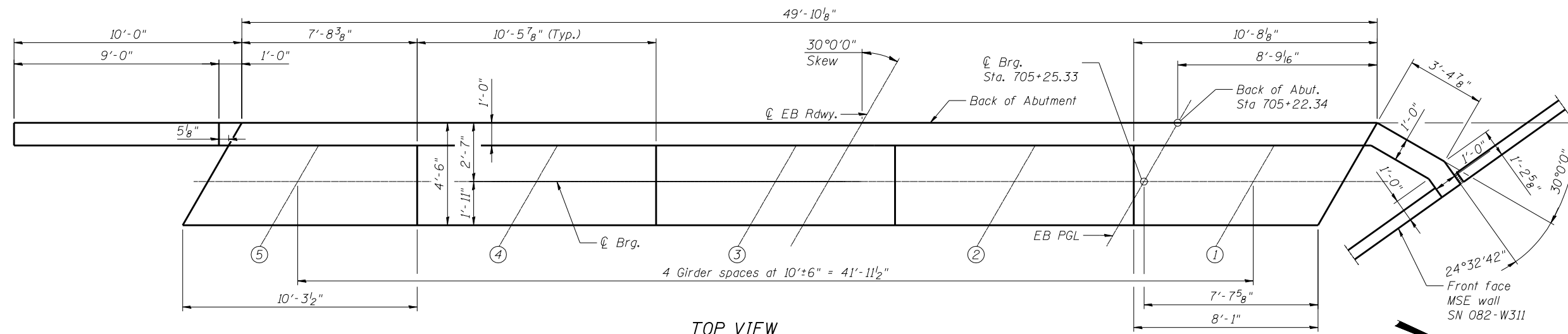
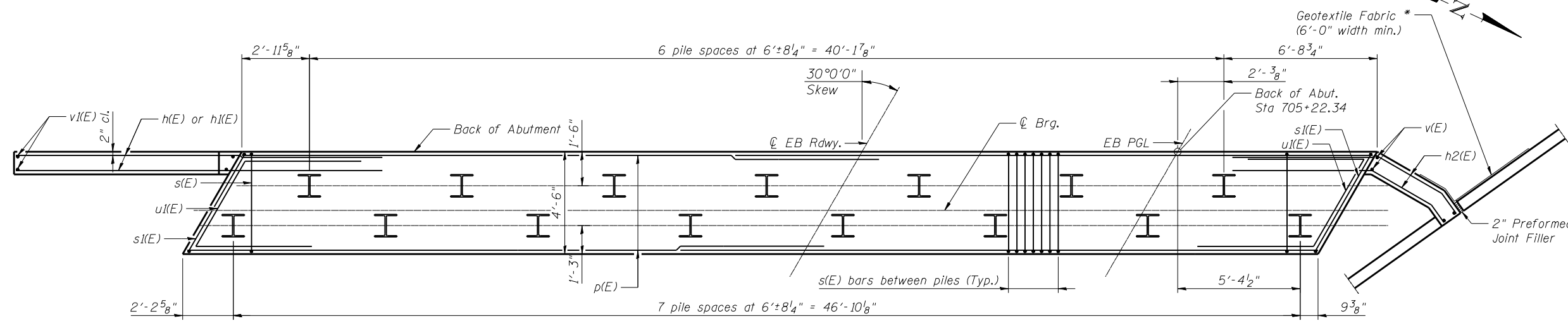


ELEVATION



TOP VIEW



PILE PLAN

BILL OF MATERIAL

Bar	No.	Size	Length	Shape
h(E)	10	#8	16'-7"	—
h2(E)	14	#5	10'-8"	—
h3(E)	8	#5	7'-6"	—
h3(E)	14	#5	4'-2"	—
p(E)	20	#7	27'-5"	—
p(E)	8	#5	26'-5"	—
s(E)	98	#5	15'-10"	□
s(E)	2	#5	17'-0"	□
u(E)	8	#6	12'-5"	—
v(E)	10	#5	10'-4"	—
v(E)	11	#5	16'-5"	—
Concrete Structures		Cu. Yd.		67
Reinforcement Bars, Epoxy Coated		Pound		4,170
Furnishing Steel Piles, HP 12x53		Foot		644
Driving Piles		Foot		644
Test Pile Steel, HP 12x53		Each		1
Pile Shoes		Each		15

For details of piles see sheet S-51 of S-62.

\*Item incidental to Concrete Structures

Cast steps monolithically with cap.

Space top reinforcement in cap to miss anchor bolts.

PILE DATA

Type: HP 12x53  
 Nominal Required Bearing: 417 kip  
 Factored Resistance Available: 229 kip  
 Est. Length: 46'-0"  
 No. Production Piles: 14  
 No. Test Piles: 1

MIN BAR LAP

#5 = 3'-3"  
 #7 = 5'-2"

FILE NAME = 0820117-0118-76884-040-WestAbutmentEB.dgn



USER NAME = brazzera	DESIGNED - RAB	REVISED -
PLOT SCALE = 54.0000 '1' / IN.	CHECKED - JAN	REVISED -
PLOT DATE = 12/02/2011	DRAWN - RAB	REVISED -
	CHECKED - JAN	REVISED -

STATE OF ILLINOIS  
 DEPARTMENT OF TRANSPORTATION

WEST ABUTMENT PLAN & ELEVATION EASTBOUND  
 STRUCTURE NO. 082-0117 (E.B.) & 082-0118 (W.B.)

SHEET NO. S-40 OF S-62 SHEETS

F.A.P. RTE.	SECTION	COUNTY	TOTAL SHEETS	SHEET NO.
103	27-1-VHB-1	ST. CLAIR	277	155
CONTRACT NO. 76884				
ILLINOIS FED. AID PROJECT				