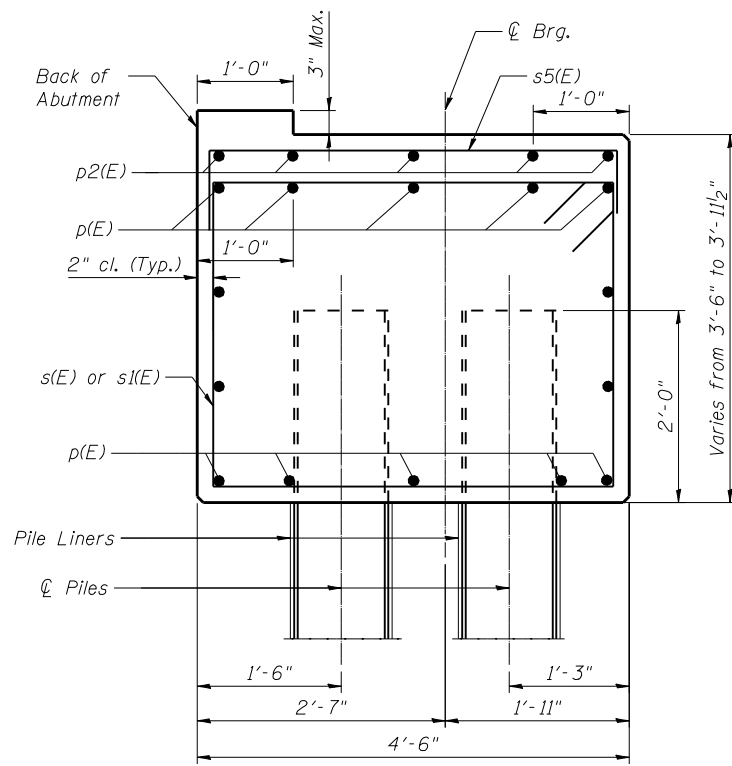
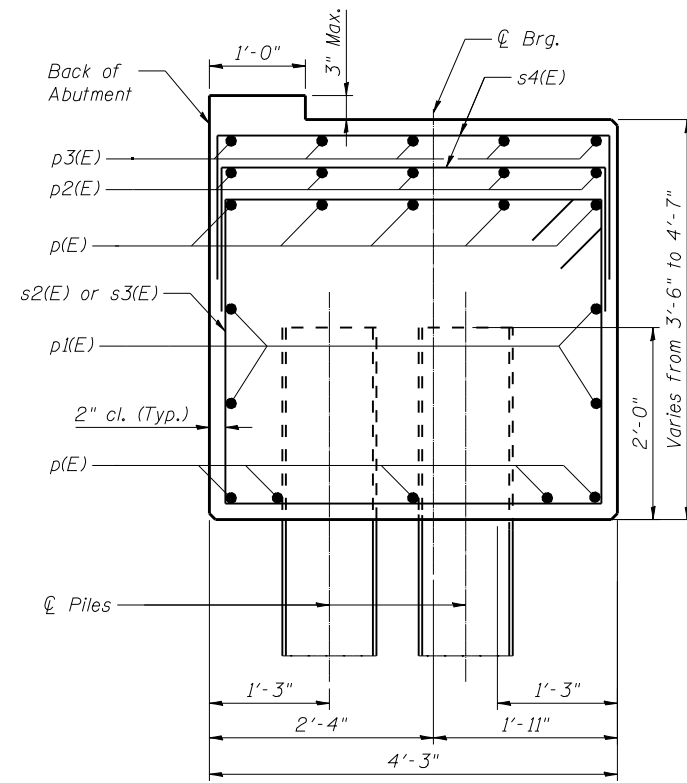


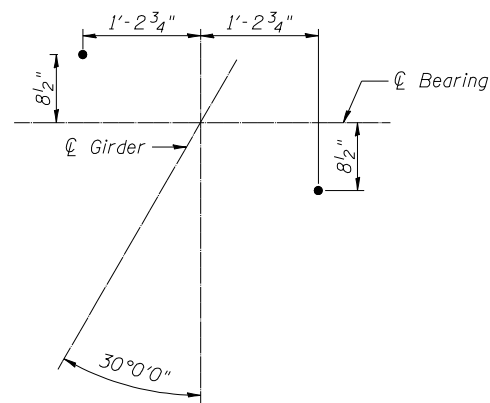
FILE NAME = 082017-0118-76884-044-Abutment.dgn



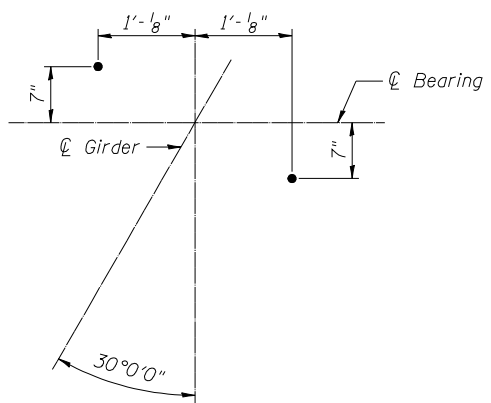
SECTION THRU WEST ABUT.



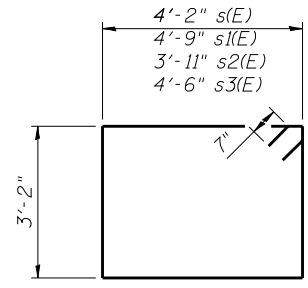
SECTION THRU EAST ABUT.



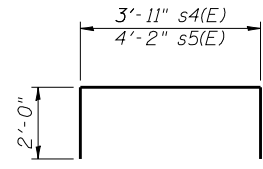
ANCHOR BOLT LAYOUT WEST ABUTMENT



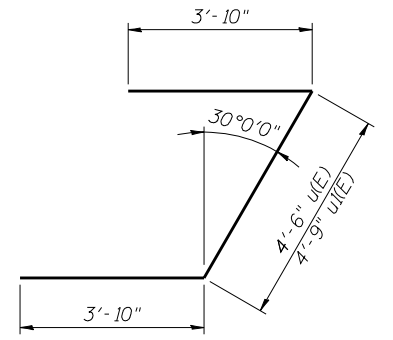
ANCHOR BOLT LAYOUT EAST ABUTMENT



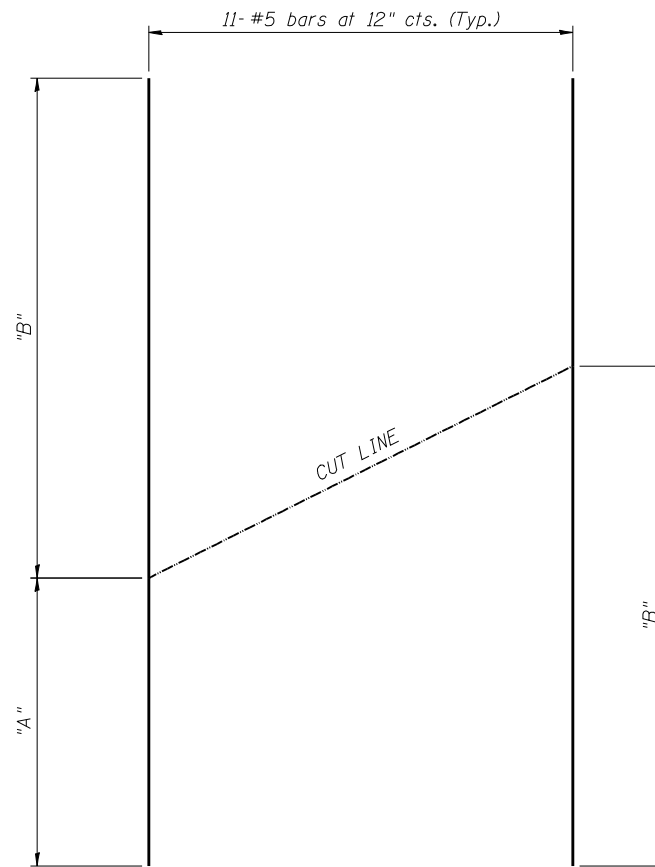
s(E), s1(E), s2(E) and s3(E)



s4(E) and s5(E)

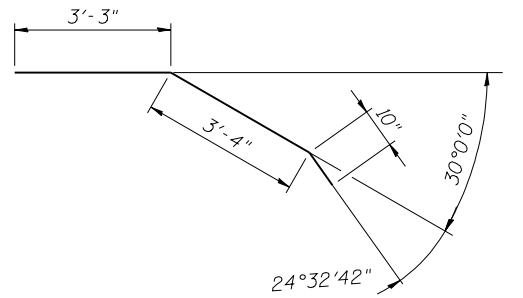


u(E) and u1(E)

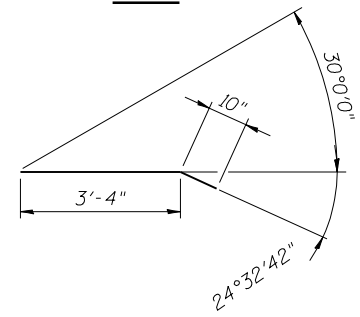


FIELD CUTTING DIAGRAM

Order v1(E), v2(E), v3(E), v4(E), v5(E) and v6(E) full length. Cut as shown and use remainder of bars in opposite face.



h2(E)



h2(E)

Bar	Length	"A"	"B"
v1(E)	16'-5"	6'-0"	10'-5"
v2(E)	15'-8"	5'-7"	10'-1"
v3(E)	21'-3"	9'-0"	12'-3"
v4(E)	17'-11"	7'-10"	10'-1"
v5(E)	19'-3"	8'-6"	10'-9"
v6(E)	15'-10"	5'-8"	10'-2"



USER NAME = brozzano
 PLOT SCALE = 2:0.0000 '1" / IN.
 PLOT DATE = 10/19/2011

DESIGNED - RAB
 CHECKED - JAN
 DRAWN - RAB
 CHECKED - JAN

REVISED - -----
 REVISED - -----
 REVISED - -----
 REVISED - -----

**STATE OF ILLINOIS
 DEPARTMENT OF TRANSPORTATION**

**ABUTMENT DETAILS
 STRUCTURE NO. 082-0117 (E.B.) & 082-0118 (W.B.)**

SHEET NO. S-44 OF S-62 SHEETS

F.A.P. RTE.	SECTION	COUNTY	TOTAL SHEETS	SHEET NO.
103	27-1-VHB-1	ST. CLAIR	277	159

CONTRACT NO. 76884
 ILLINOIS FED. AID PROJECT