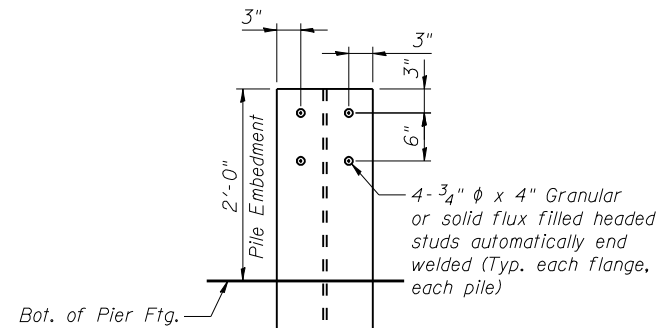
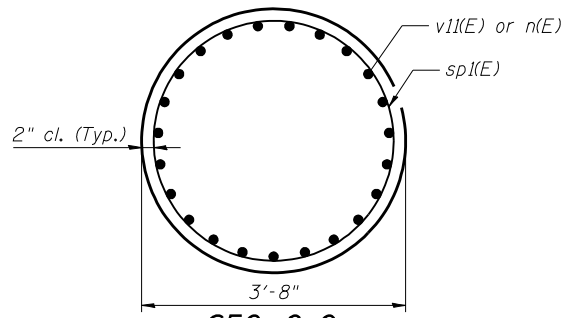


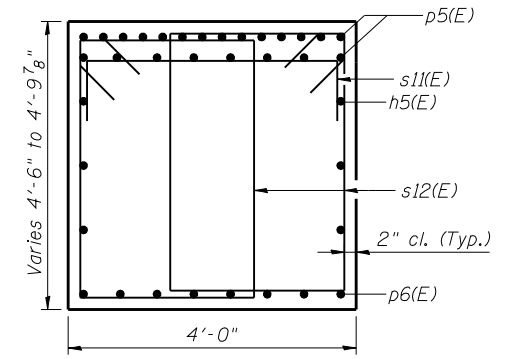
ANCHOR BOLT LAYOUT



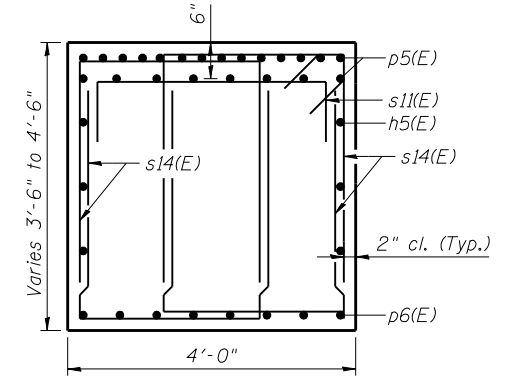
DETAIL A



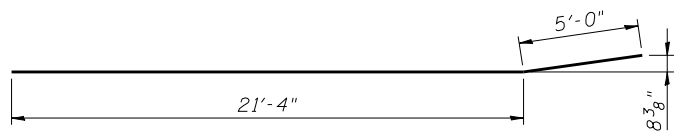
SEC. C-C



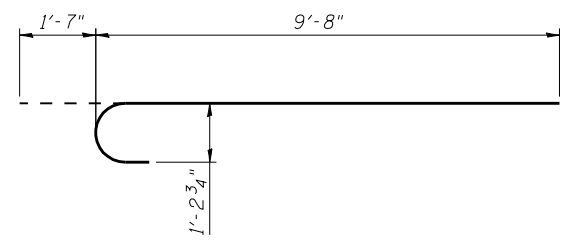
SEC. A-A



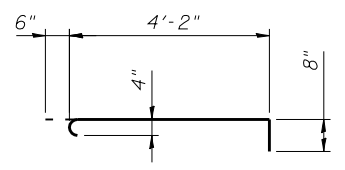
SEC. B-B



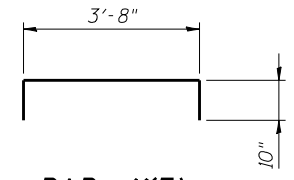
BAR p6(E)



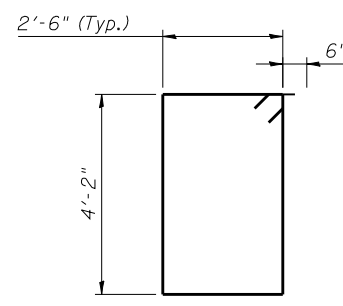
BAR n(E)



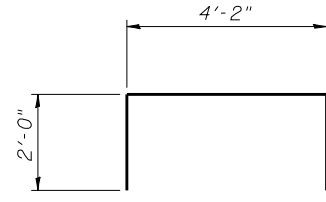
BAR s10(E)



BAR s11(E)



BAR s12(E)

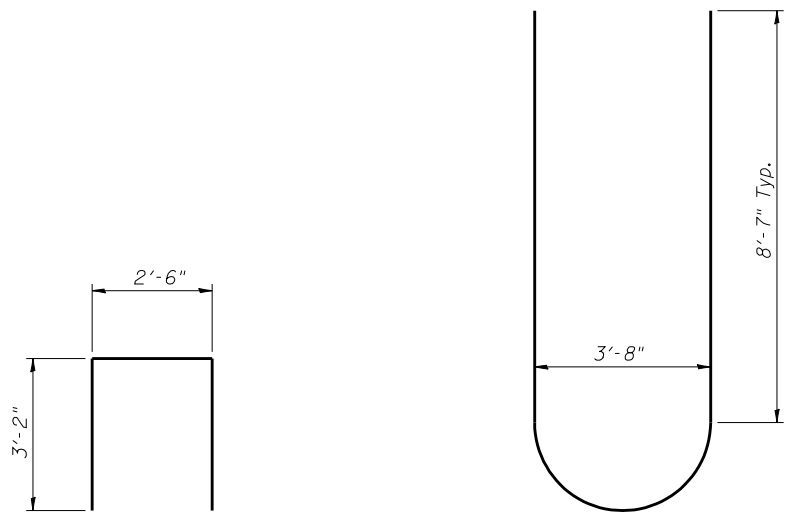


BAR s13(E)

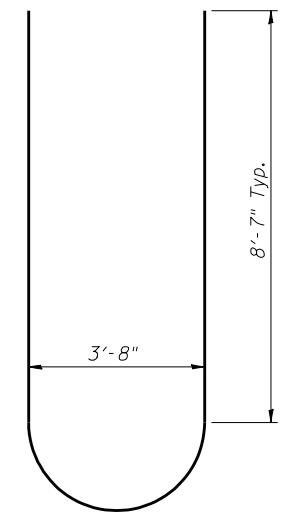
BILL OF MATERIAL

Bar	No.	Size	Length	Shape
h5(E)	12	#5	24'-7"	—
h6(E)	48	#6	18'-8"	—
h7(E)	8	#6	27'-6"	—
n(E)	92	#11	11'-3"	U
p5(E)	44	#9	27'-3"	—
p6(E)	16	#9	26'-4"	—
s10(E)	200	#4	5'-4"	U
s11(E)	51	#5	5'-4"	U
s12(E)	248	#6	14'-4"	□
s13(E)	58	#11	8'-2"	U
s14(E)	192	#5	8'-10"	U
** sp1(E)	4	#5	16'-2"	W
i1(E)	43	#8	18'-8"	—
t2(E)	85	#10	18'-8"	—
u3(E)	8	#9	22'-11"	U
u4(E)	8	#6	12'-6"	U
u5(E)	24	#6	16'-2"	U
v7(E)	164	#11	10'-9"	U
v10(E)	164	#11	10'-6"	U
v11(E)	92	#11	14'-9"	—
w1(E)	88	#8	24'-3"	—
Structure Excavation		Cu. Yd.	177	
Concrete Structures		Cu. Yd.	270.4	
Reinforcement Bars, Epoxy Coated		Pound	66,040	
Furnishing Steel Piles, HP 12x53		Foot	2,223	
Driving Piles		Foot	2,223	
Test Pile Steel, HP 12x53		Each	1	
Pile Shoes		Each	40	

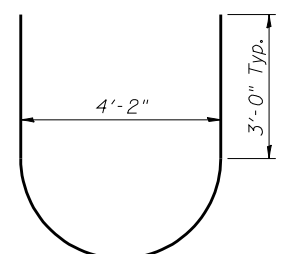
** Length is height of spiral.
Bars indicated thus 1 x 5-#5 etc. indicates 1 line of bars with 5 lengths per line.



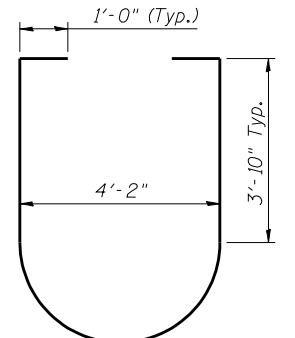
BAR s14(E)



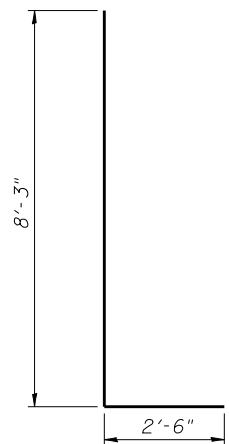
BAR u3(E)



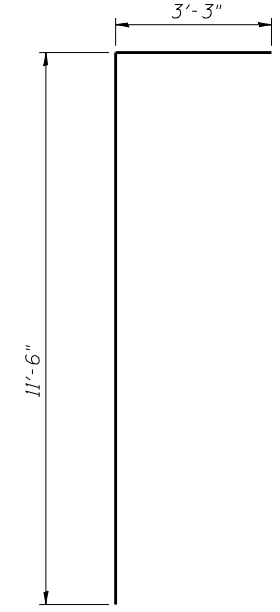
BAR u4(E)



BAR u5(E)



BAR v7(E)



BAR v11(E)

FILE NAME = 0820117-0118-76884-048-PierDetailsWB.dgn



USER NAME = brazzara	DESIGNED - SAB	REVISED -
PLOT SCALE = 8x0.0000 '1' / IN.	CHECKED - MJK	REVISED -
PLOT DATE = 10/19/2011	DRAWN - RAB	REVISED -
	CHECKED - SAB	REVISED -

**STATE OF ILLINOIS
DEPARTMENT OF TRANSPORTATION**

**PIER DETAILS WESTBOUND
STRUCTURE NO. 082-0117 (E.B.) & 082-0118 (W.B.)**

SHEET NO. S-48 OF S-62 SHEETS

F.A.P. RTE.	SECTION	COUNTY	TOTAL SHEETS	SHEET NO.
103	27-1-VHB-1	ST. CLAIR	277	163
CONTRACT NO. 76884				
ILLINOIS FED. AID PROJECT				