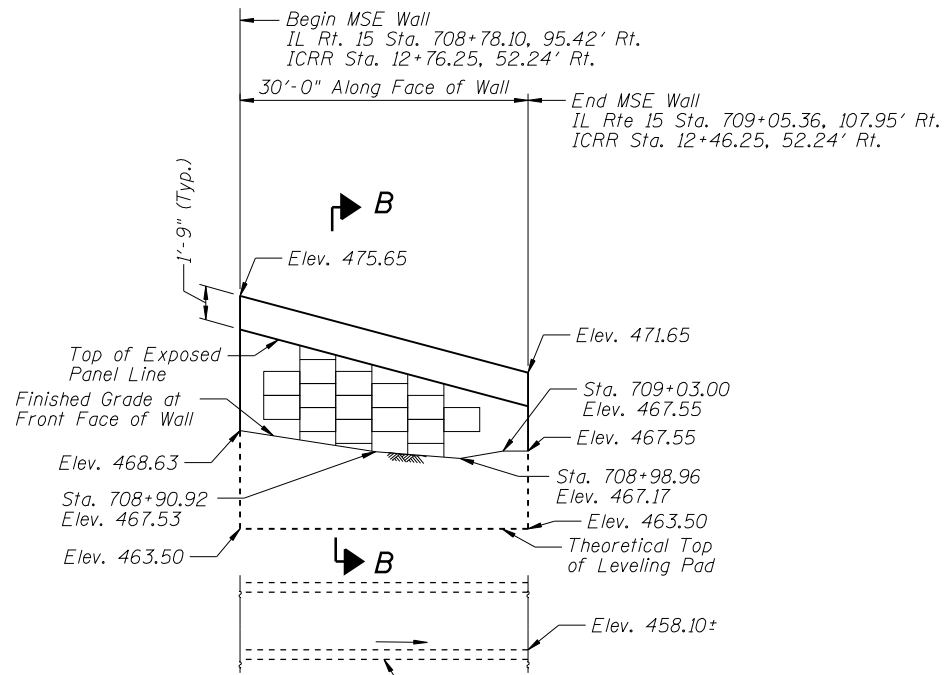


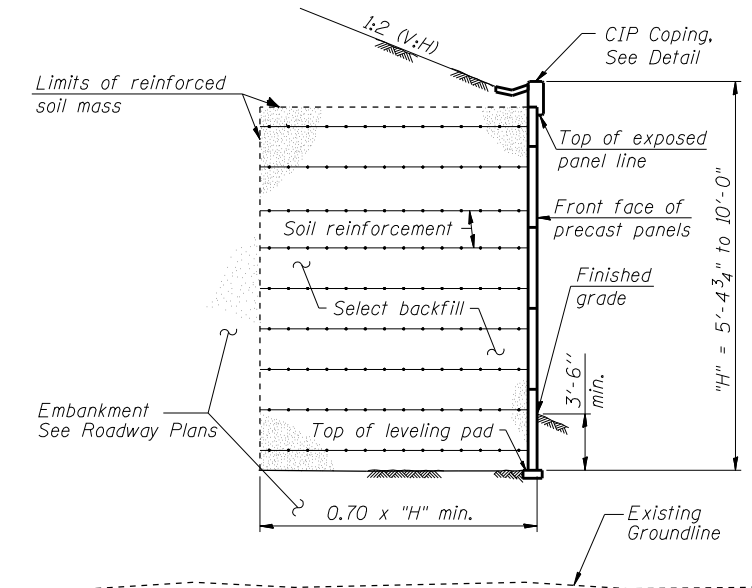
WALL A ELEVATION

Sta. 707+00 to Sta. 707+65

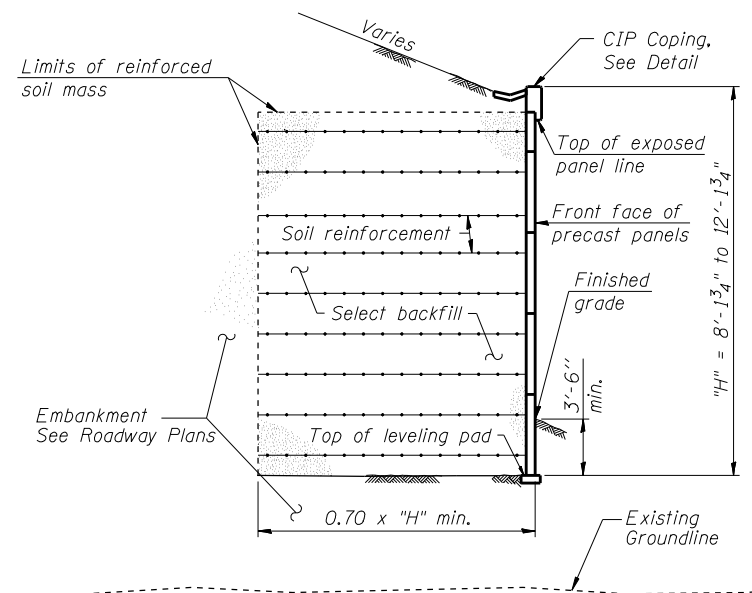


WALL B ELEVATION

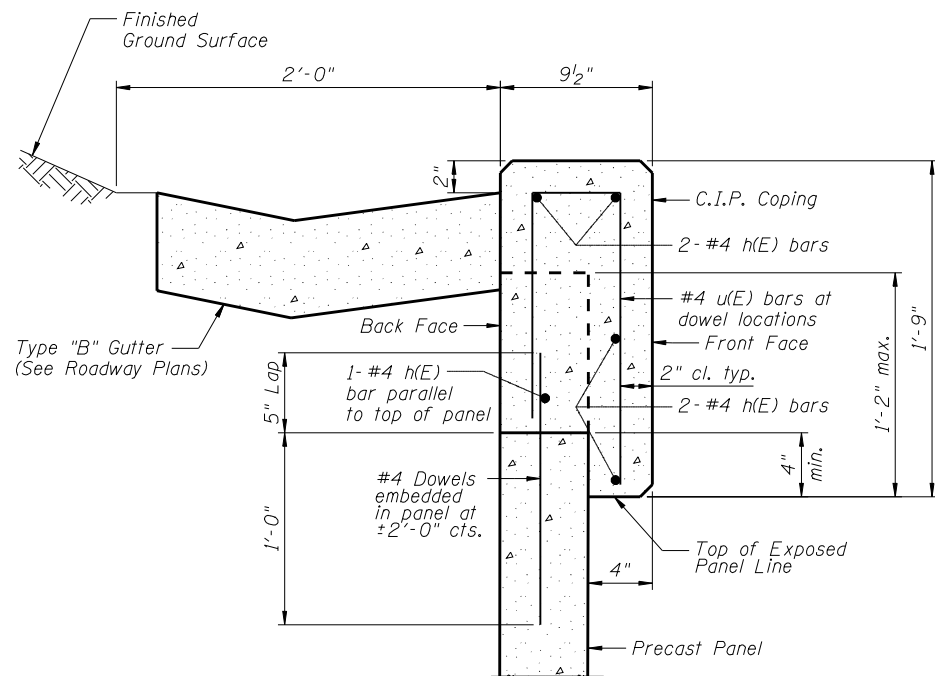
Sta. 708+78.10 to Sta. 709+05.36



SECTION A-A



SECTION B-B



COPING DETAIL (TYPICAL)

WALL B ELEVATION

Sta. 708+78.10 to Sta. 709+05.36

TOTAL BILL OF MATERIAL

ITEM	UNIT	TOTAL
Mechanically Stabilized Earth Retaining Wall	Sq. Ft.	674

FILE NAME = 0820117-0118-76884-049-Show-MSE.dgn



Zroka Engineering, P.C.
4216 North Hermitage
Chicago, IL 60613

USER NAME = brazzera
PLOT SCALE = 20:0.0000 ' / IN.
PLOT DATE = 10/19/2011

DESIGNED - PMM
CHECKED - DAZ
DRAWN - SAW
CHECKED - PMM

REVISED - _____
REVISED - _____
REVISED - _____
REVISED - _____

STATE OF ILLINOIS
DEPARTMENT OF TRANSPORTATION

MSE WALLS A & B
STRUCTURE NO. 082-0117 (EB) & 082-0118 (WB)

SHEET NO. S-49 OF S-62 SHEETS

F.A.P. RTE.	SECTION	COUNTY	TOTAL SHEETS	SHEET NO.
103	27-1-VHB-1	ST. CLAIR	277	164
CONTRACT NO. 76884				

ILLINOIS FED. AID PROJECT