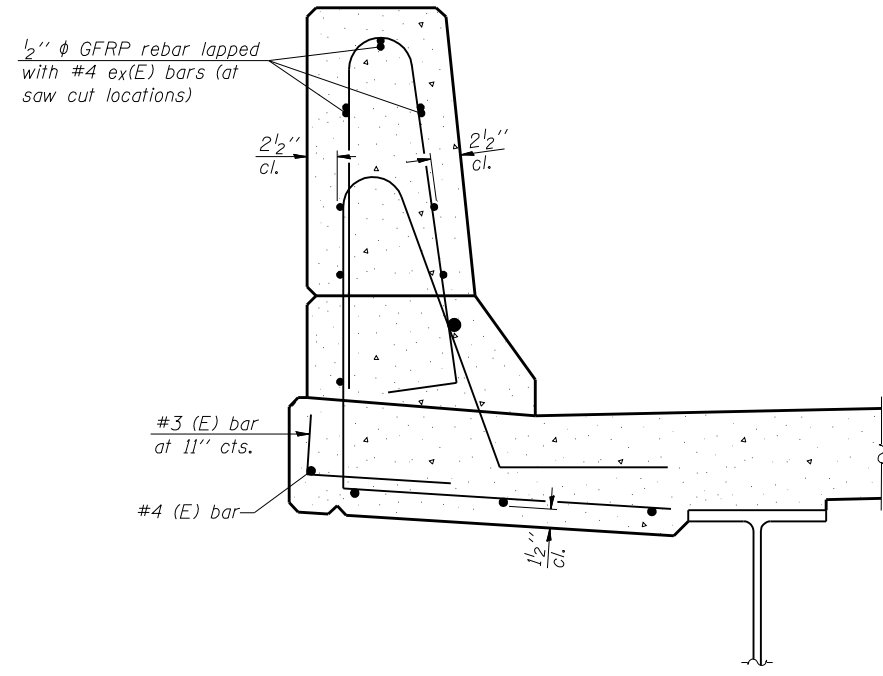
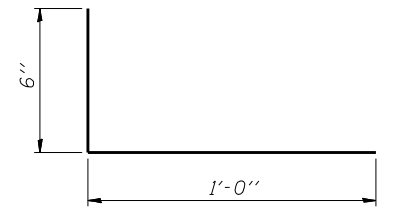


SECTION
(Showing dimensions)

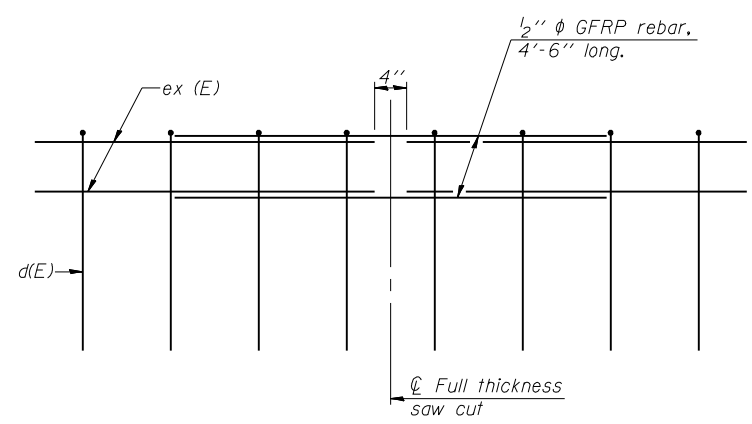


SECTION
(Showing reinforcement clearances for slip forming and additional reinforcement bars)

GENERAL NOTES
 All dimensions shall remain the same as shown on superstructure details, except dimensions A and B which are to be revised as shown to provide additional clearance. Additional concrete needed to revise dimension A and B = 0.0165 cu. yds./ft. of parapet.
 Place aluminum sheet in curb portion at and near piers. Full thickness saw cut at all joint locations in lieu of cork joint filler.
 Steel superstructure shown. Other superstructure types similar.



#3 (E) BAR



GFRP REBAR STIFFENING DETAIL
(Place as shown in parapet section at each parapet joint location.)

SFP-34

7-1-10

FILE NAME = 0820117-0118-76884-052-Parape-51.rvt



USER NAME = brazzara	DESIGNED - RAB	REVISED - -----
	CHECKED - JAN	REVISED - -----
PLOT SCALE = 0x2.0000 '1' / IN.	DRAWN - RAB	REVISED - -----
PLOT DATE = 10/19/2011	CHECKED - JAN	REVISED - -----

**STATE OF ILLINOIS
DEPARTMENT OF TRANSPORTATION**

**CONCRETE PARAPET SLIPFORMING OPTION
STRUCTURE NO. 082-0117(E.B.) & 082-0118 (W.B.)**

SHEET NO. S-52 OF S-62 SHEETS

F.A.P. RTE.	SECTION	COUNTY	TOTAL SHEETS	SHEET NO.
103	27-1-VHB-1	ST. CLAIR	277	167
CONTRACT NO. 76884				
ILLINOIS FED. AID PROJECT				