

SECTION C-C
Between Bridges

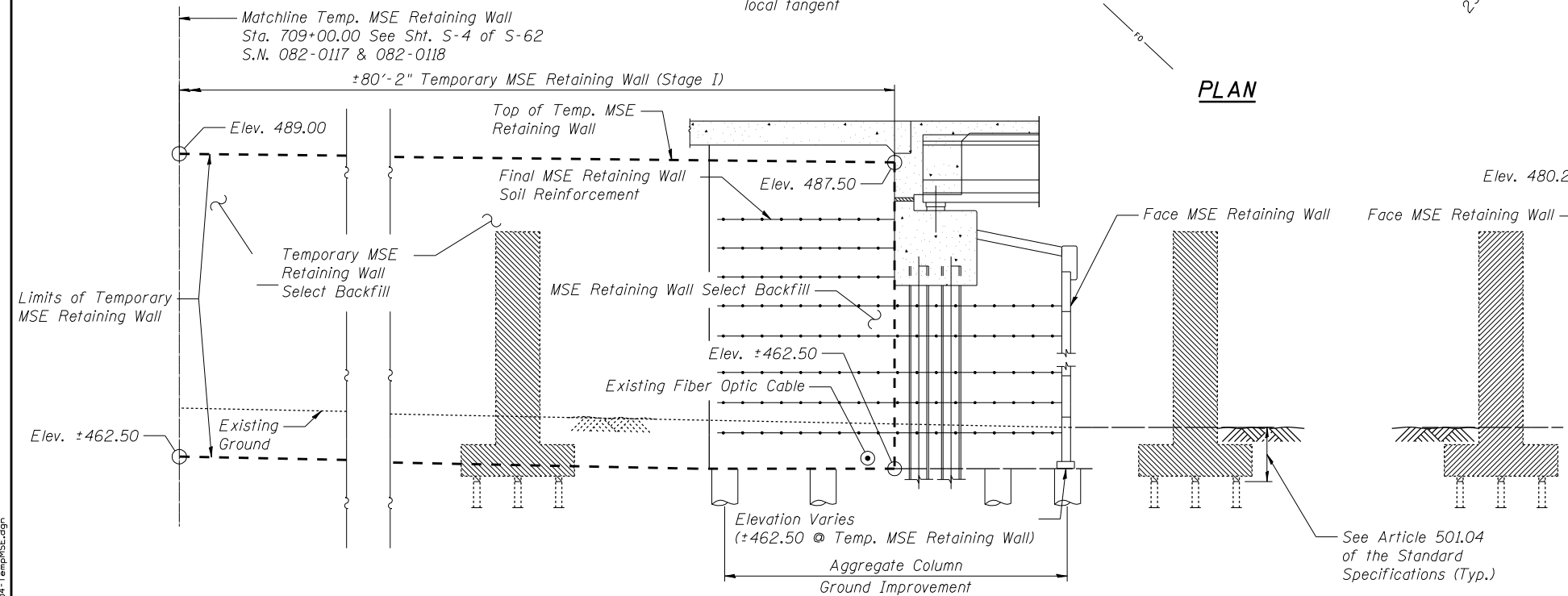
NOTE:
For Abutment pile layout, see Shts. S-33, S-34, S-36 and S-37 of S-51
For Structure Removal, see Sht. S-3

LEGEND
Structure Removal

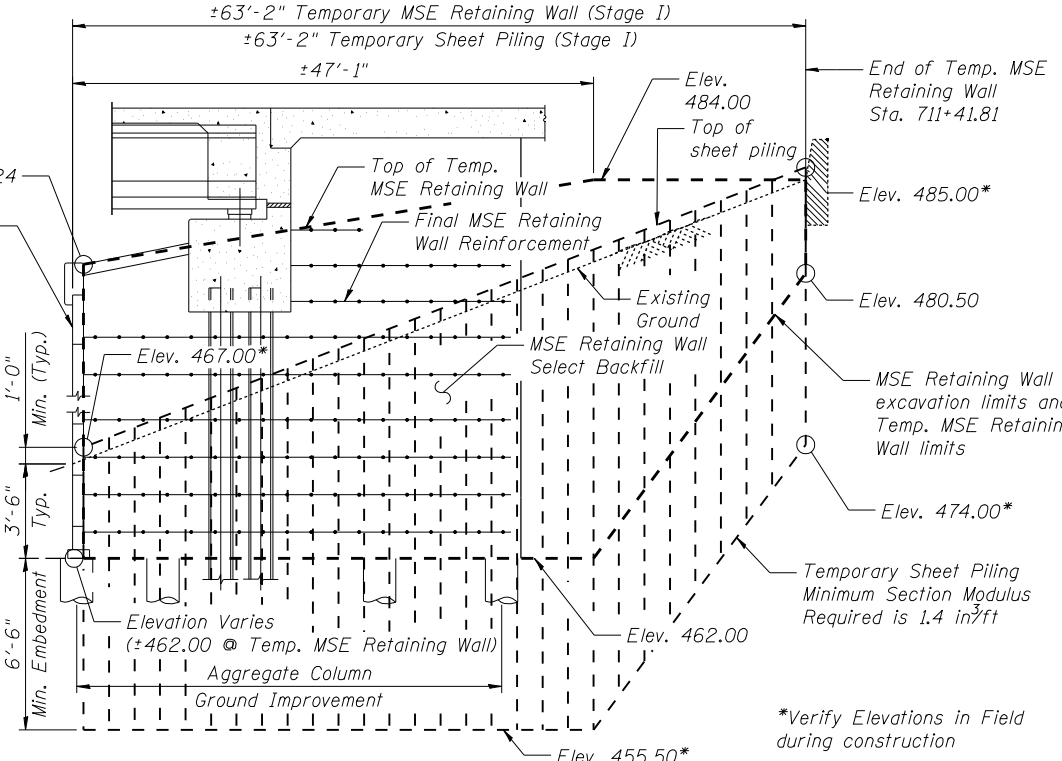
BILL OF MATERIAL

ITEM	UNIT	TOTAL
Temporary Mechanically Stabilized Earth Retaining Wall	Sq. Ft.	3218
Temporary Sheet Piling	Sq. Ft.	695

PLAN



SECTION A-A
(Distances along Temp. MSE Retaining Wall)



SECTION B-B
(Distances along Temp. MSE Retaining Wall)

FILE NAME = 0820119-0120-76884-004-TempMSE.dgn



USER NAME = brazzera	DESIGNED - MJK	REVISED -
PLOT SCALE = 42.6667' / IN.	CHECKED - JAN	REVISED -
PLOT DATE = 10/19/2011	DRAWN - MJK	REVISED -
	CHECKED - JAN	REVISED -

STATE OF ILLINOIS
DEPARTMENT OF TRANSPORTATION

TEMPORARY MSE RETAINING WALL
STRUCTURE NO. 082-0119 (E.B.) & 082-0120 (W.B.)

F.A.P. RTE. 103	SECTION 27-1-VHB-1	COUNTY ST. CLAIR	TOTAL SHEETS 277	SHEET NO. 181
SHEET NO. S-4 OF S-51 SHEETS			CONTRACT NO. 76884	
ILLINOIS FED. AID PROJECT				